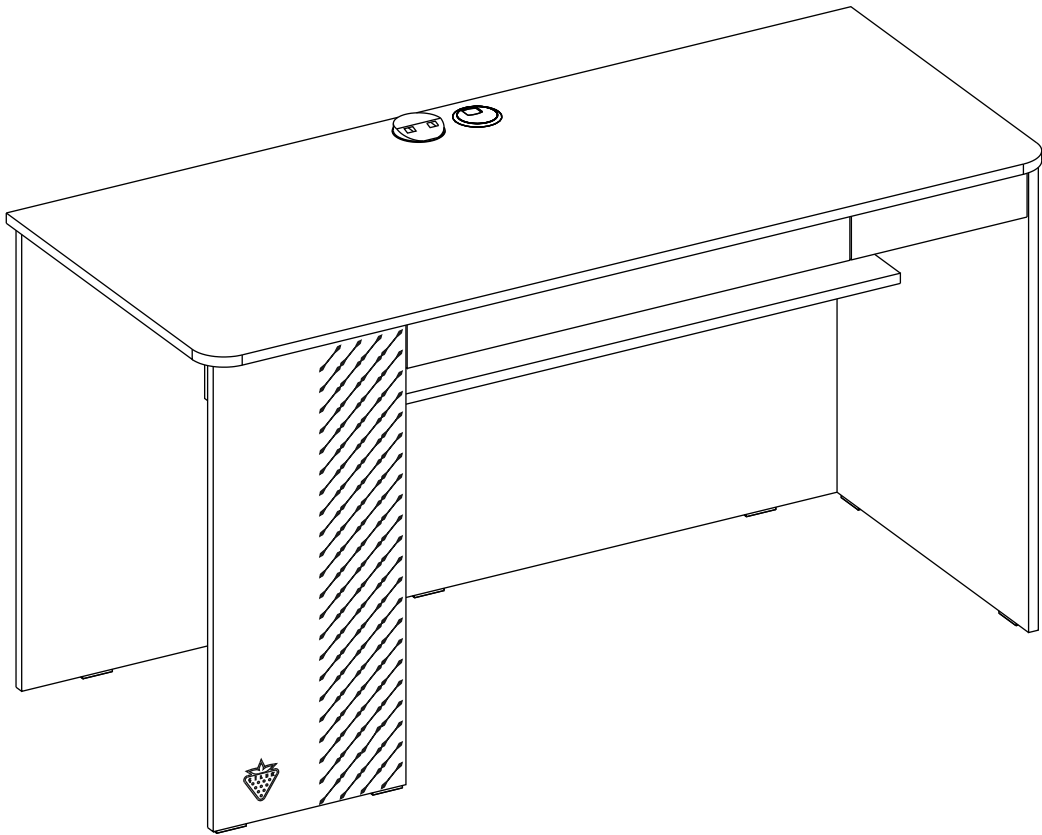
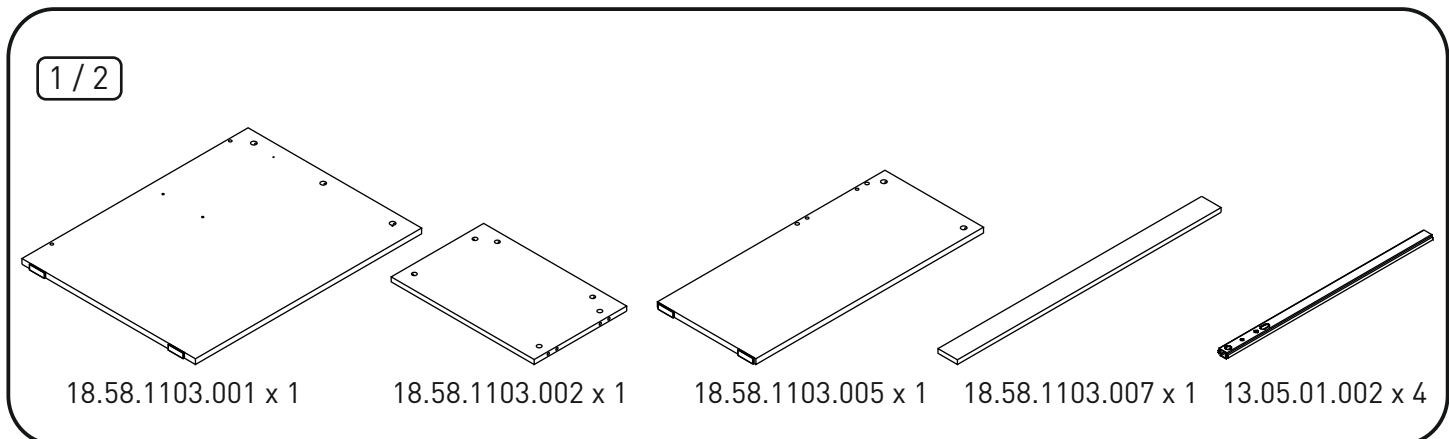
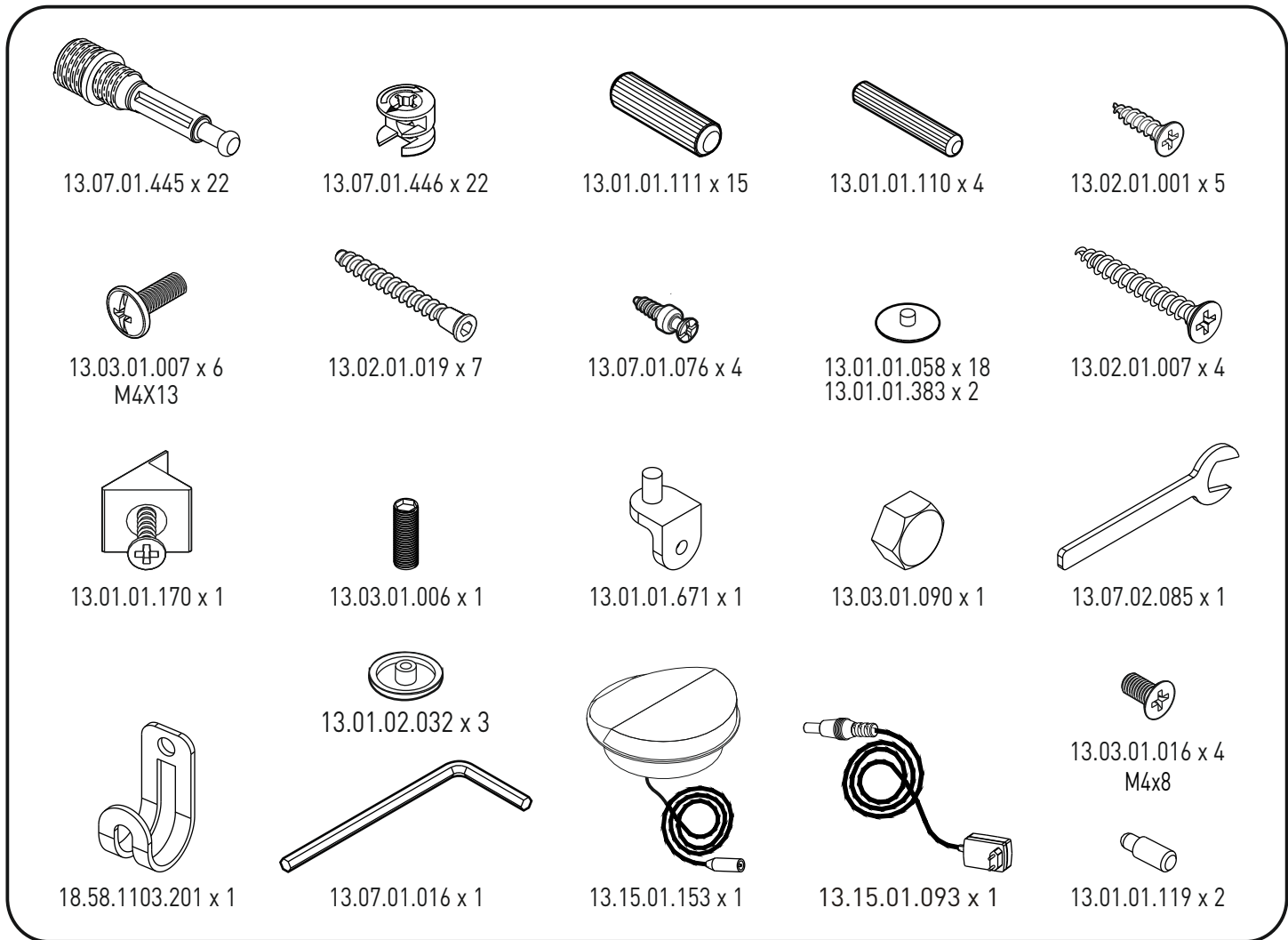
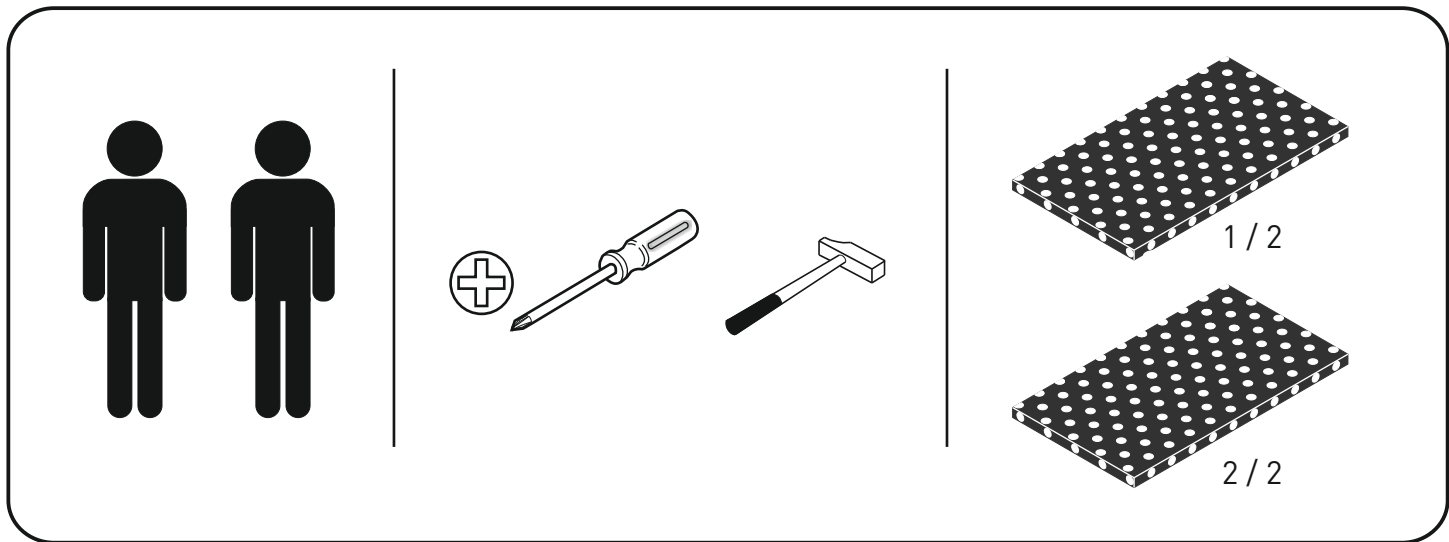
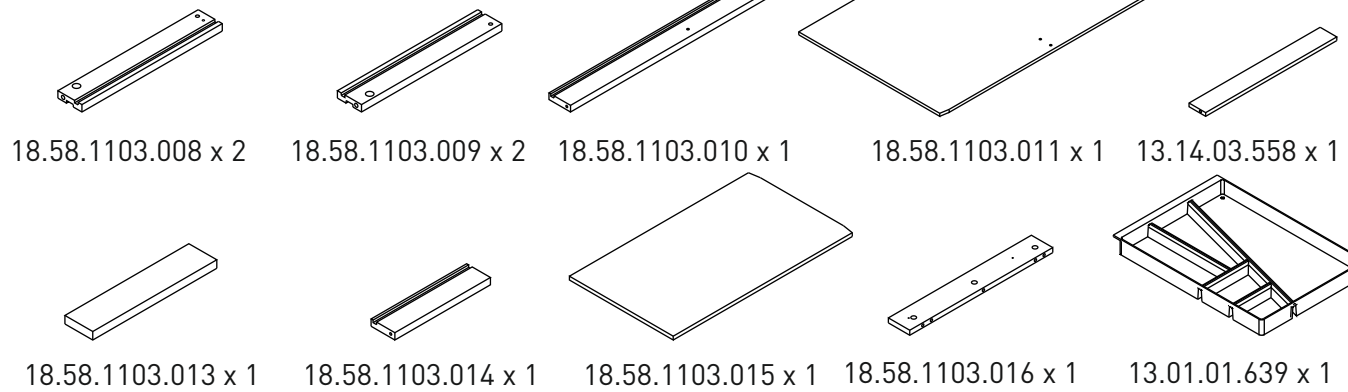


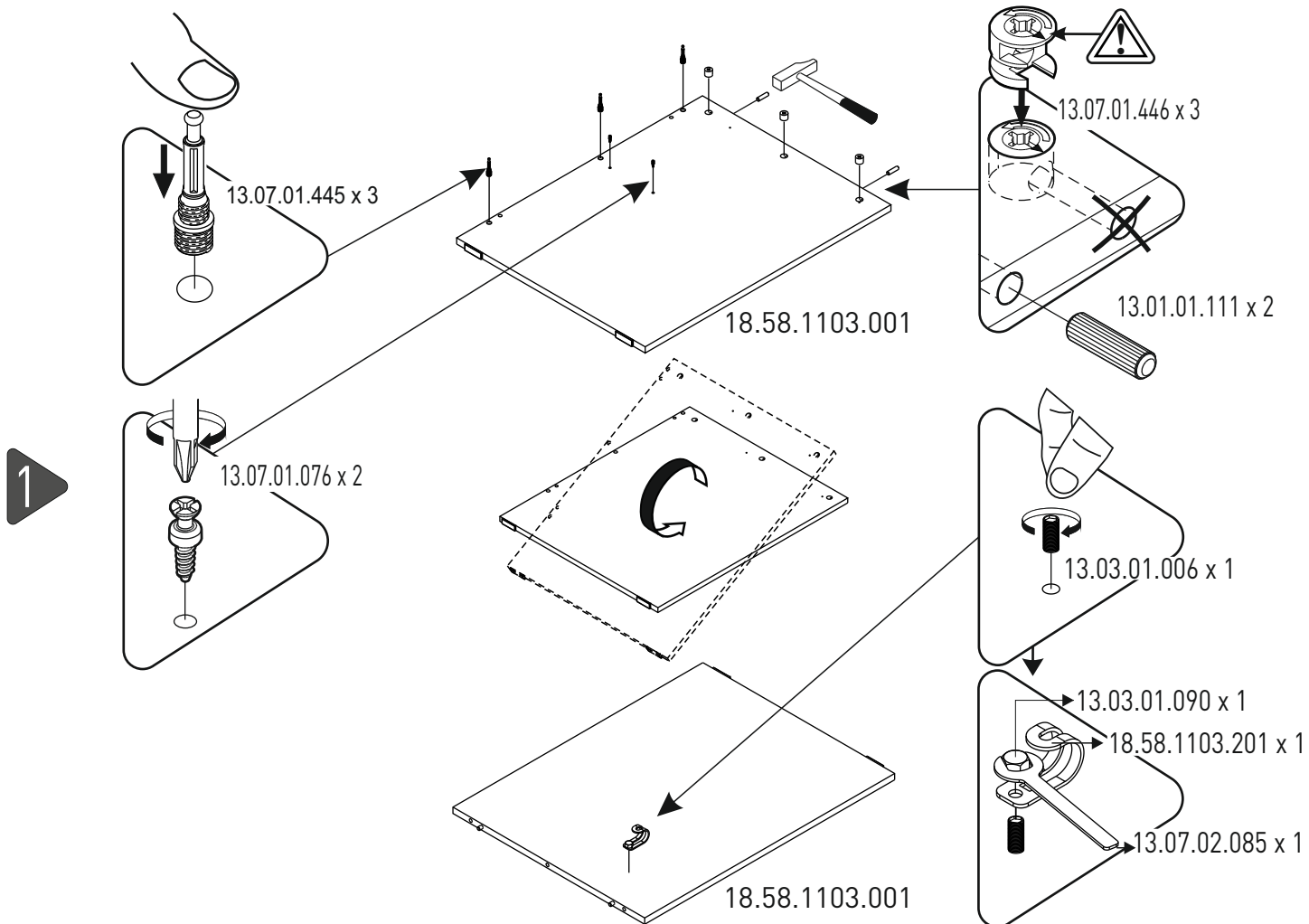
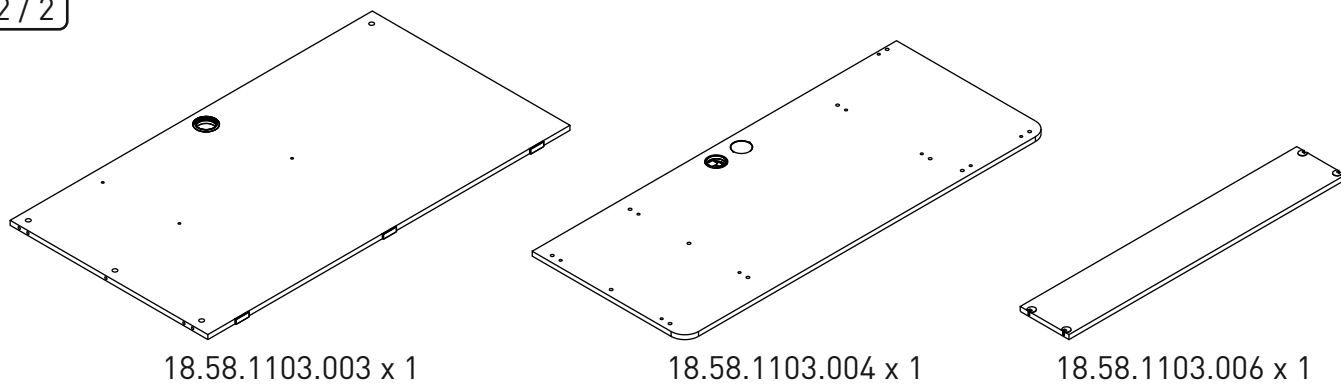
**20.58.1103.00**

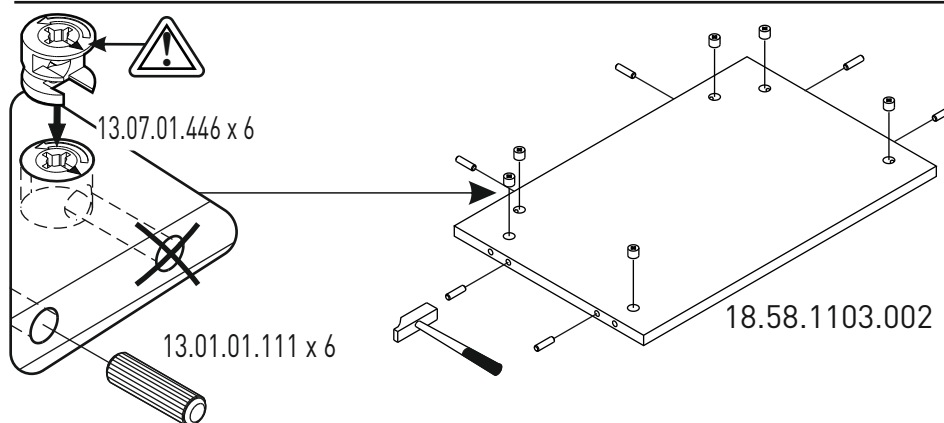
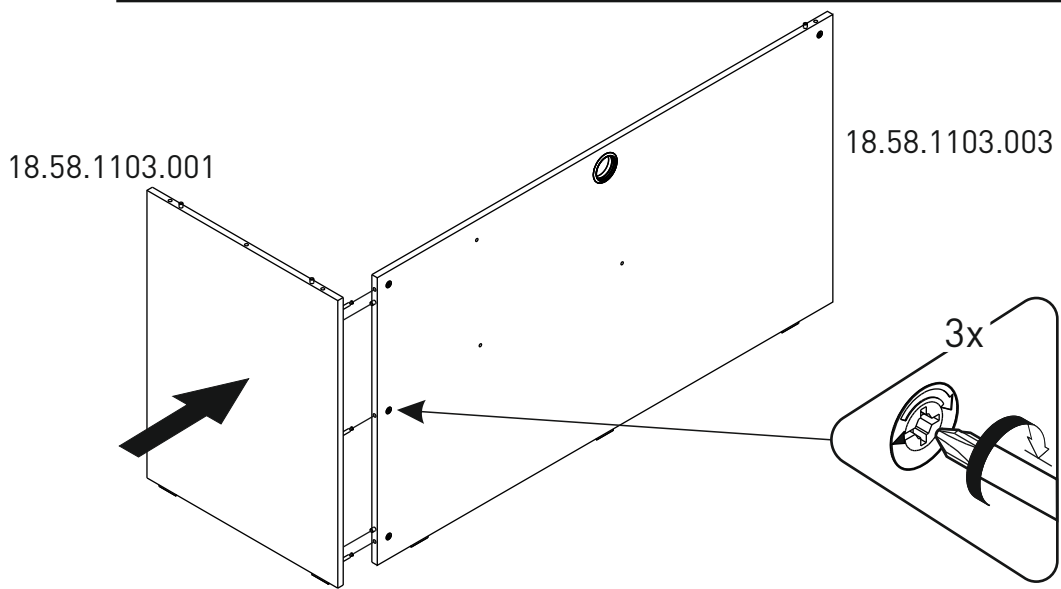
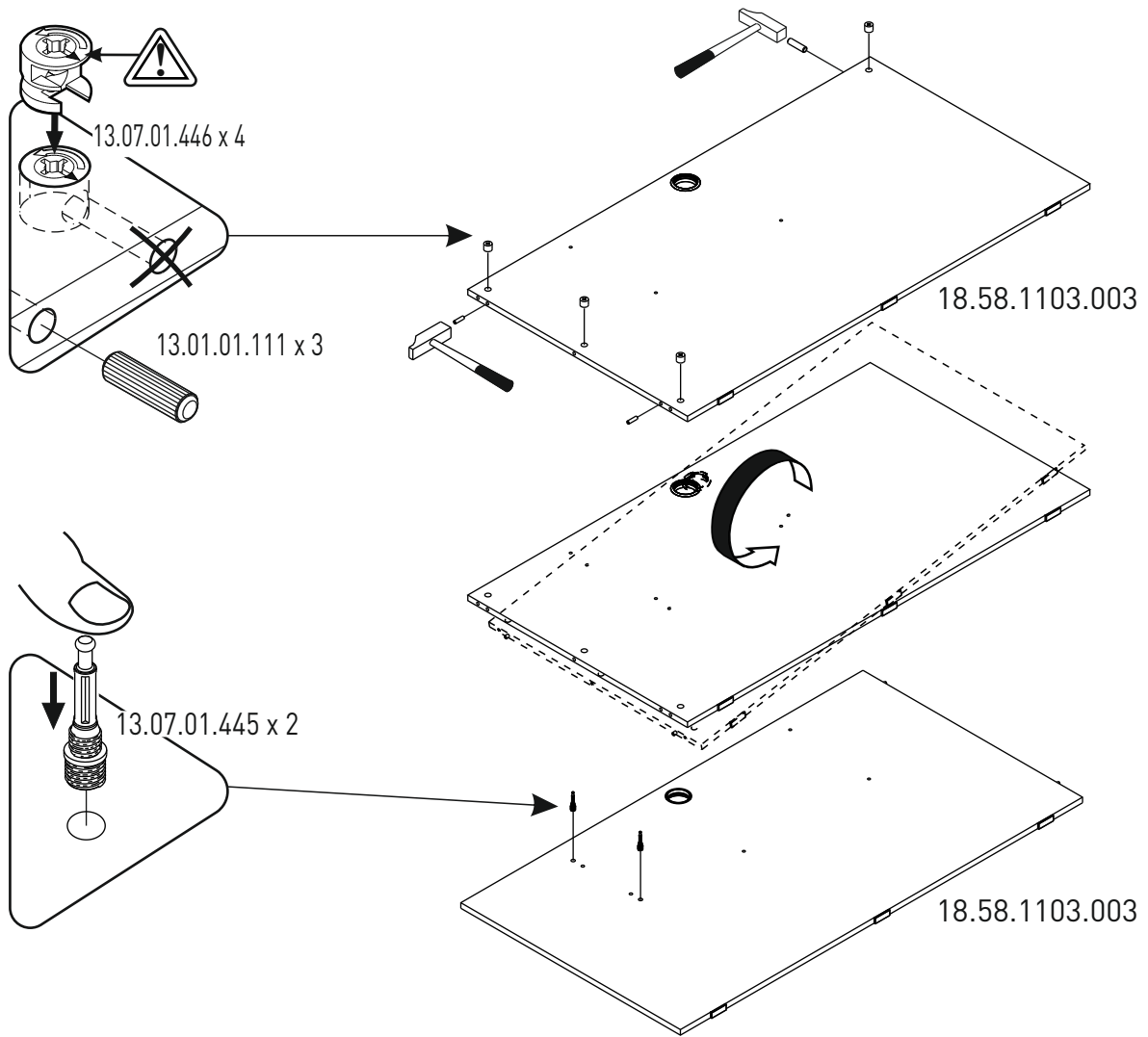


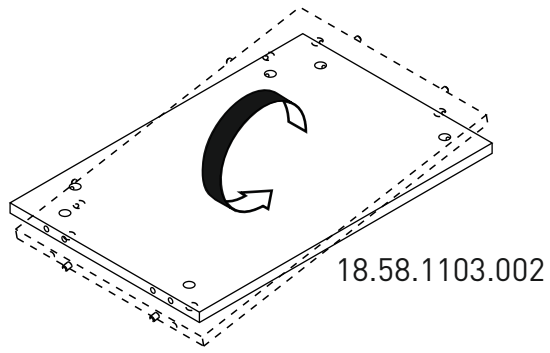




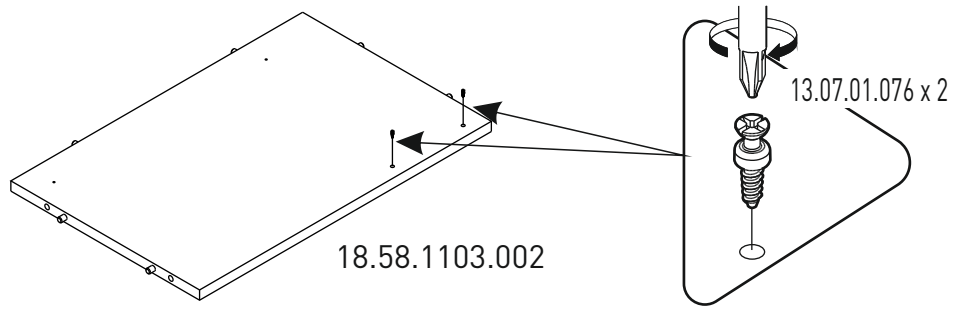
2/2



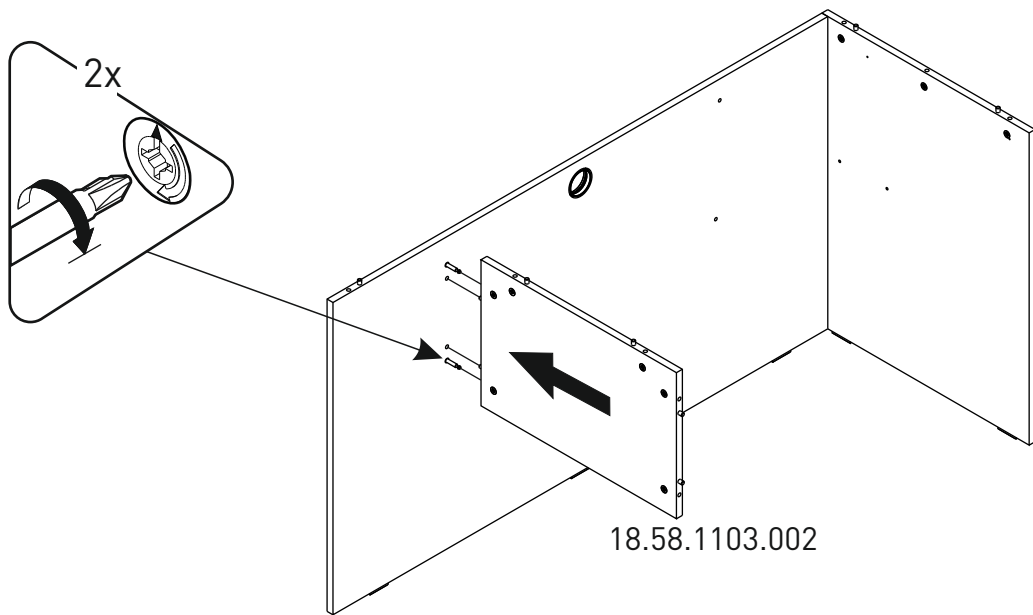




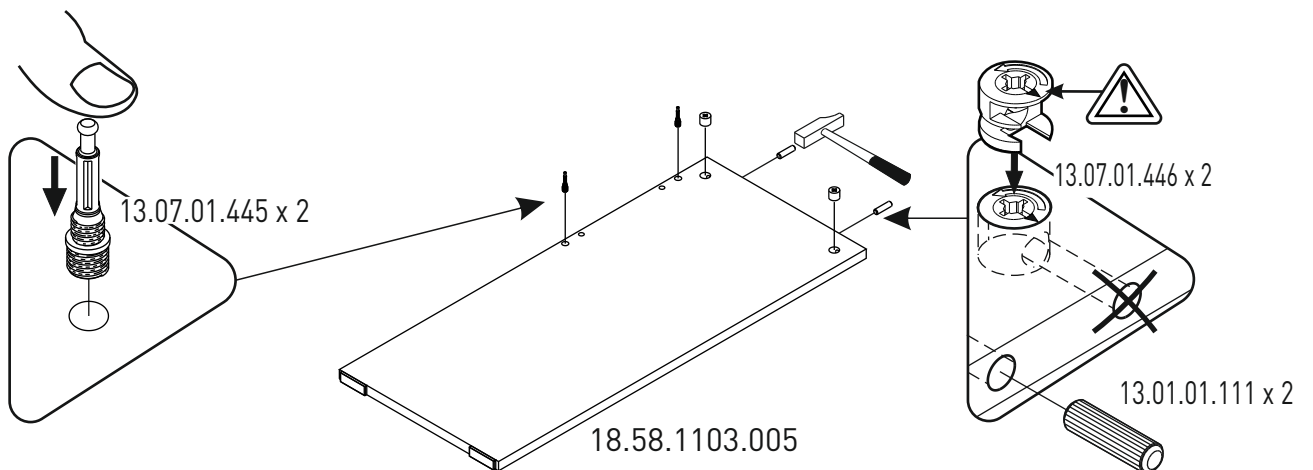
5



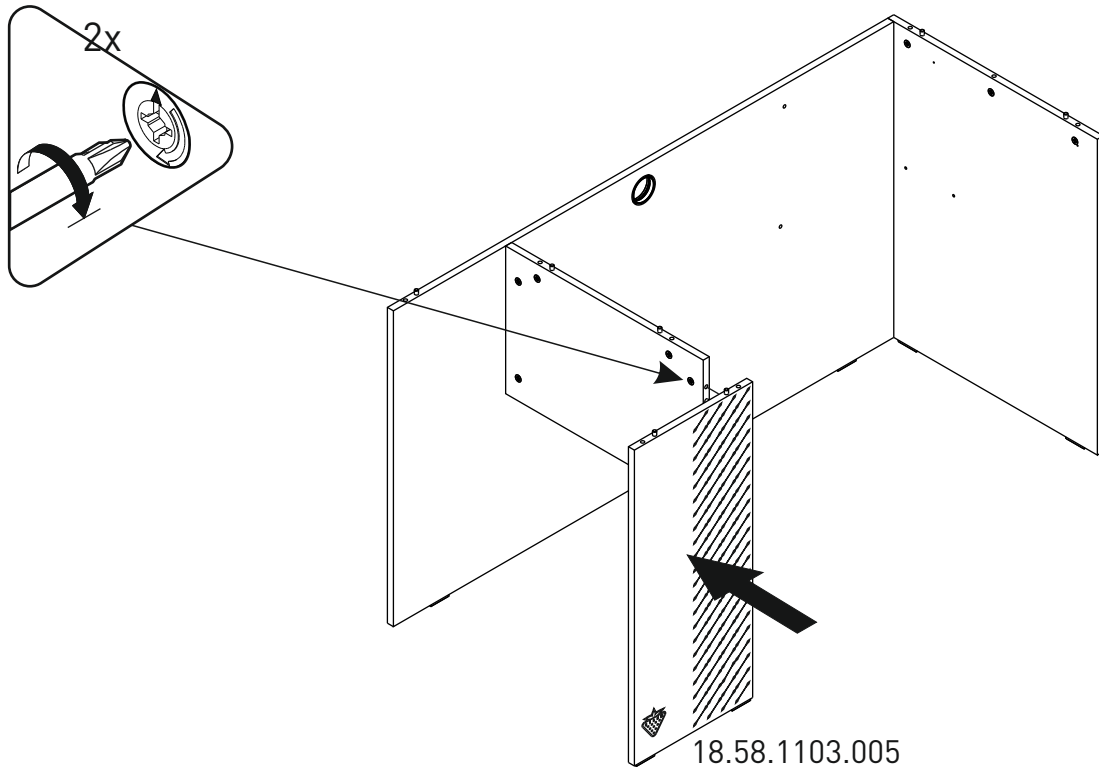
6



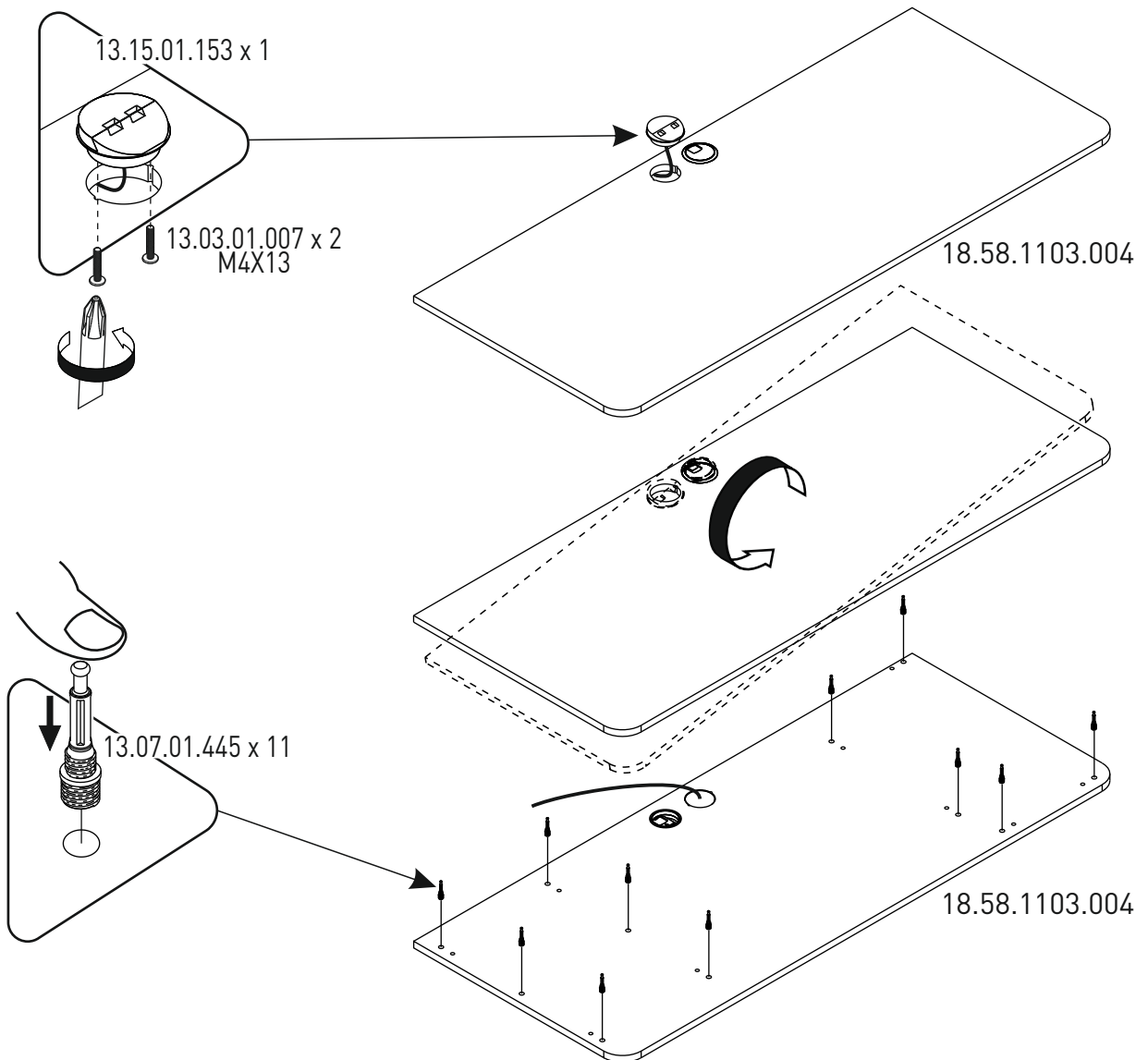
7



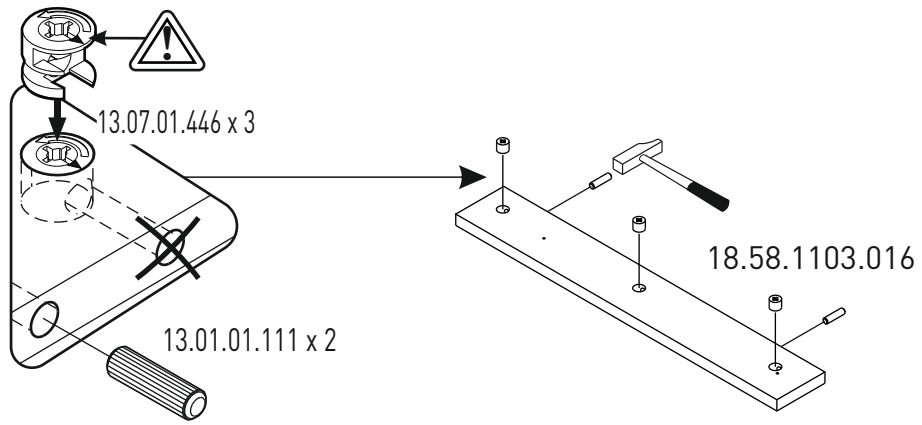
8



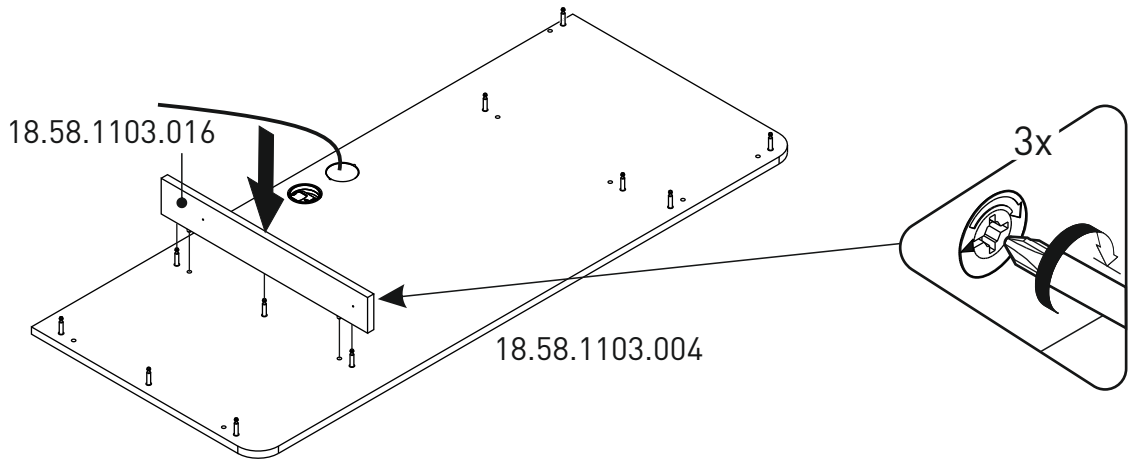
9



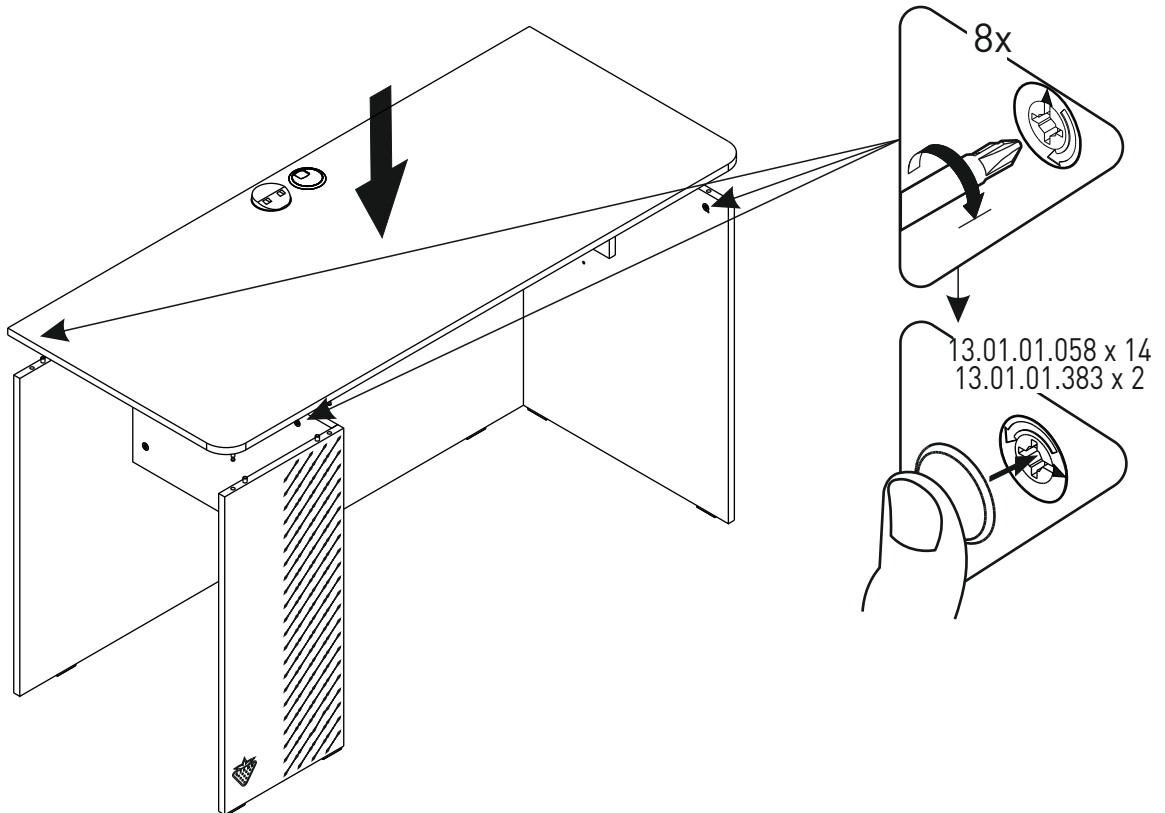
10



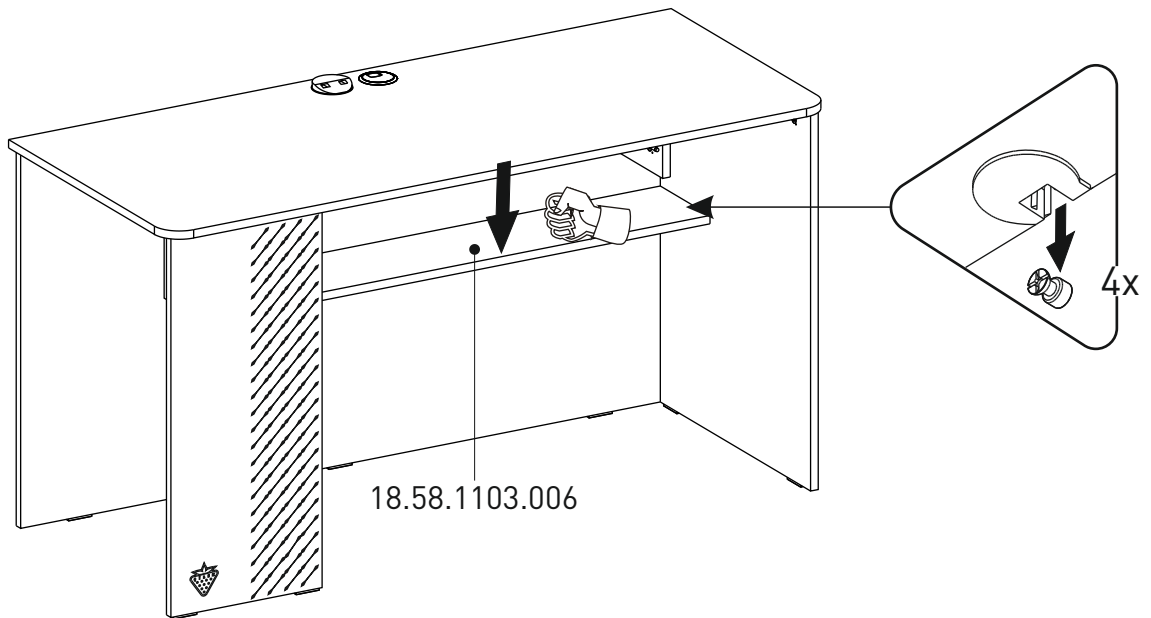
11



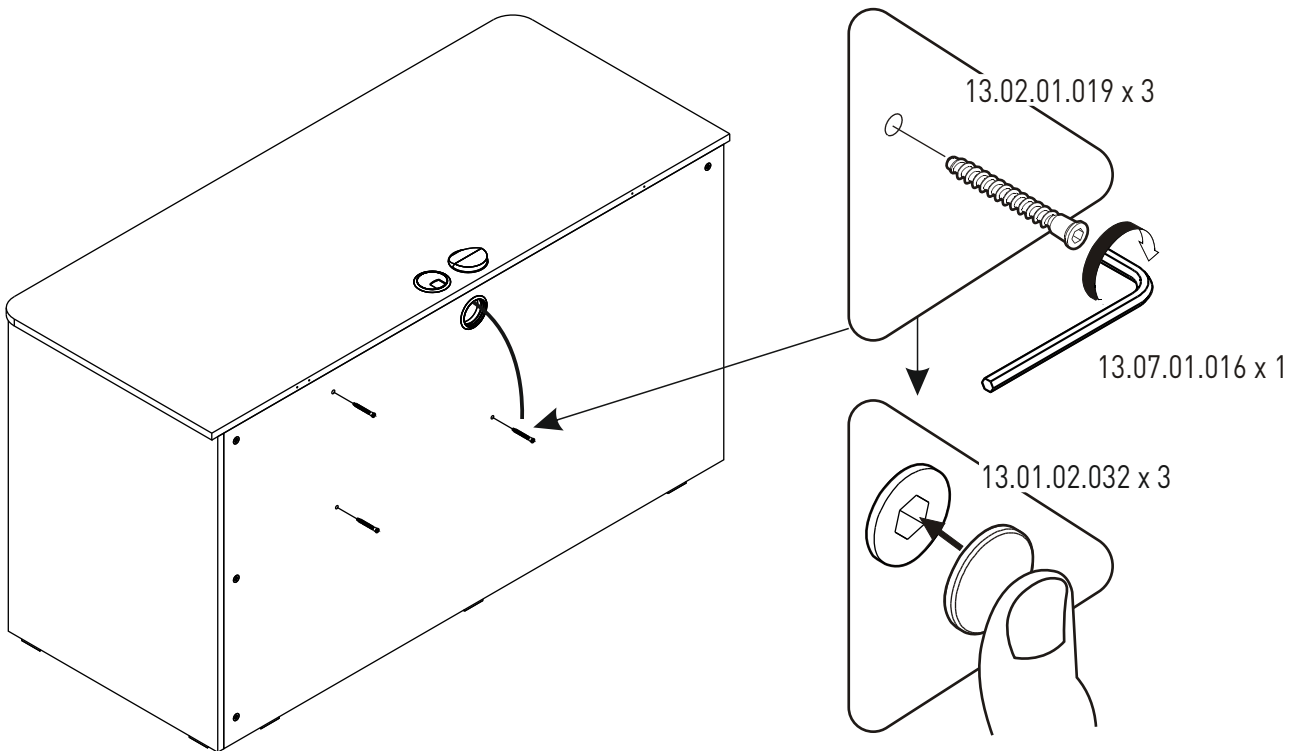
12



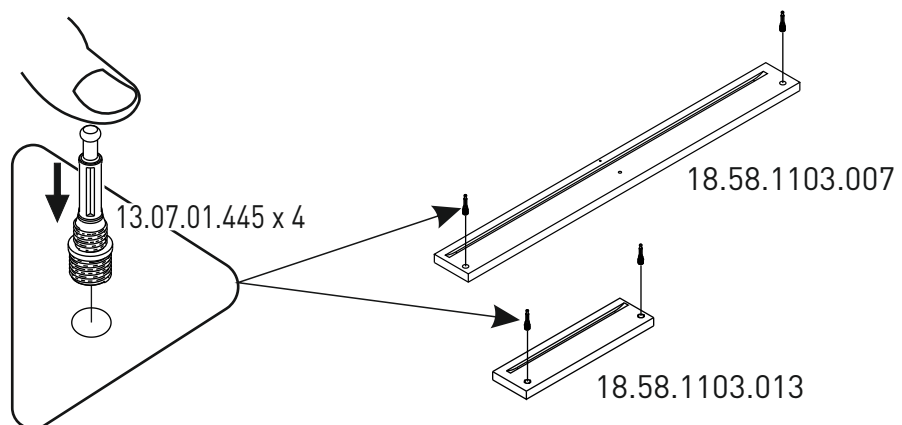
13



14

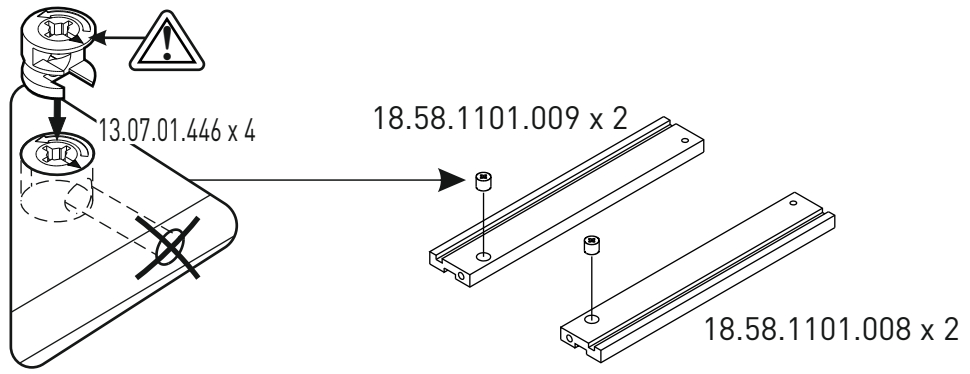


15

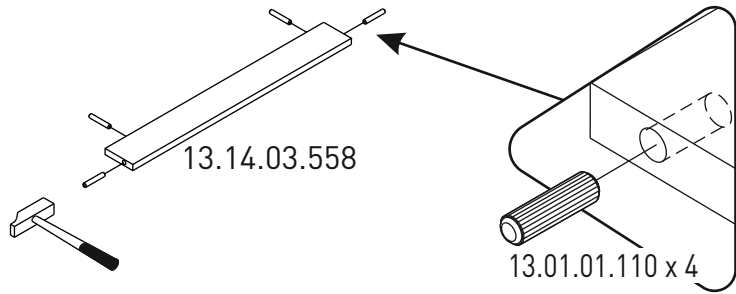




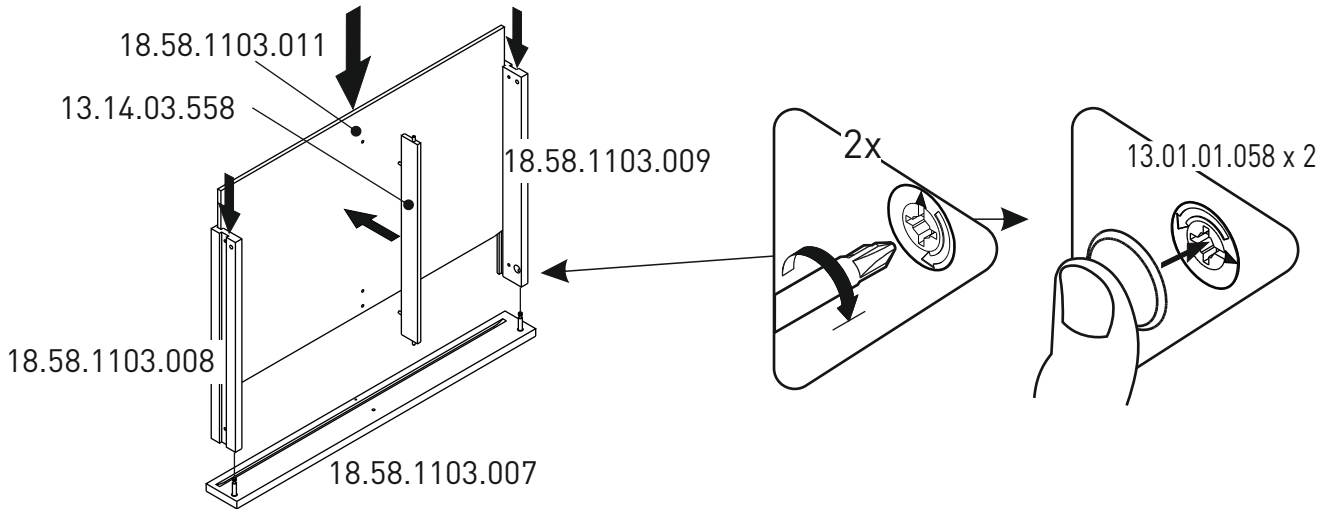
16



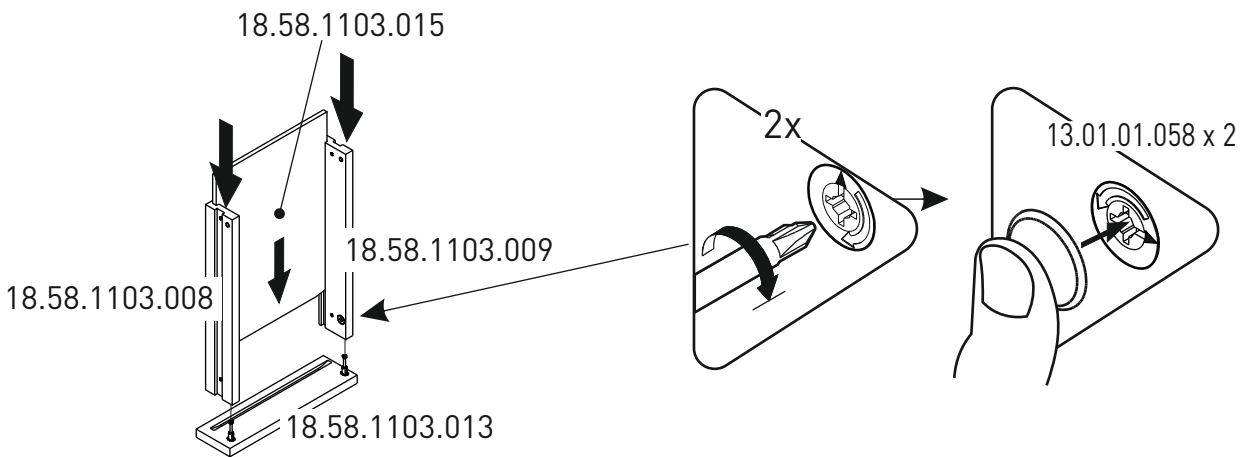
17

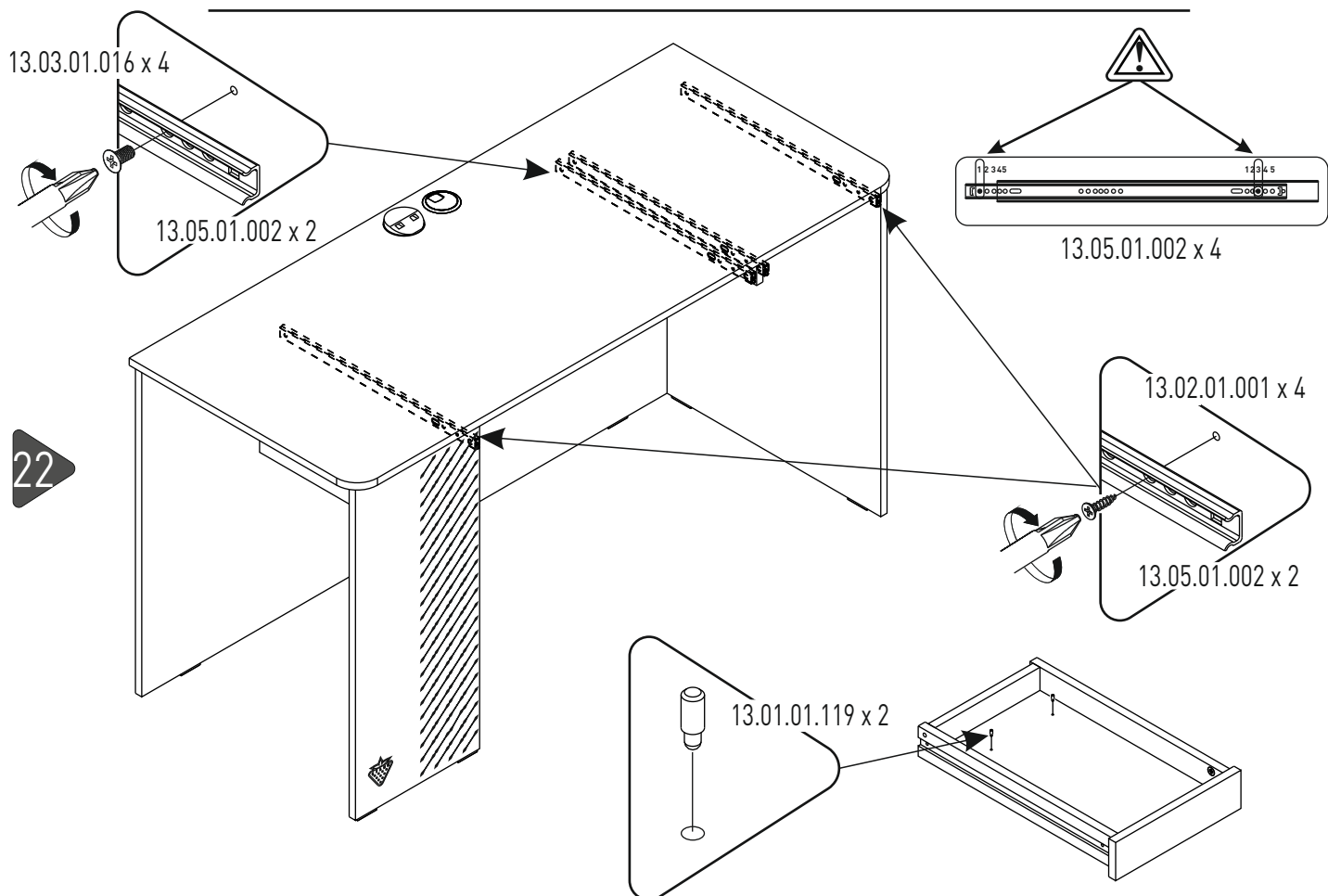
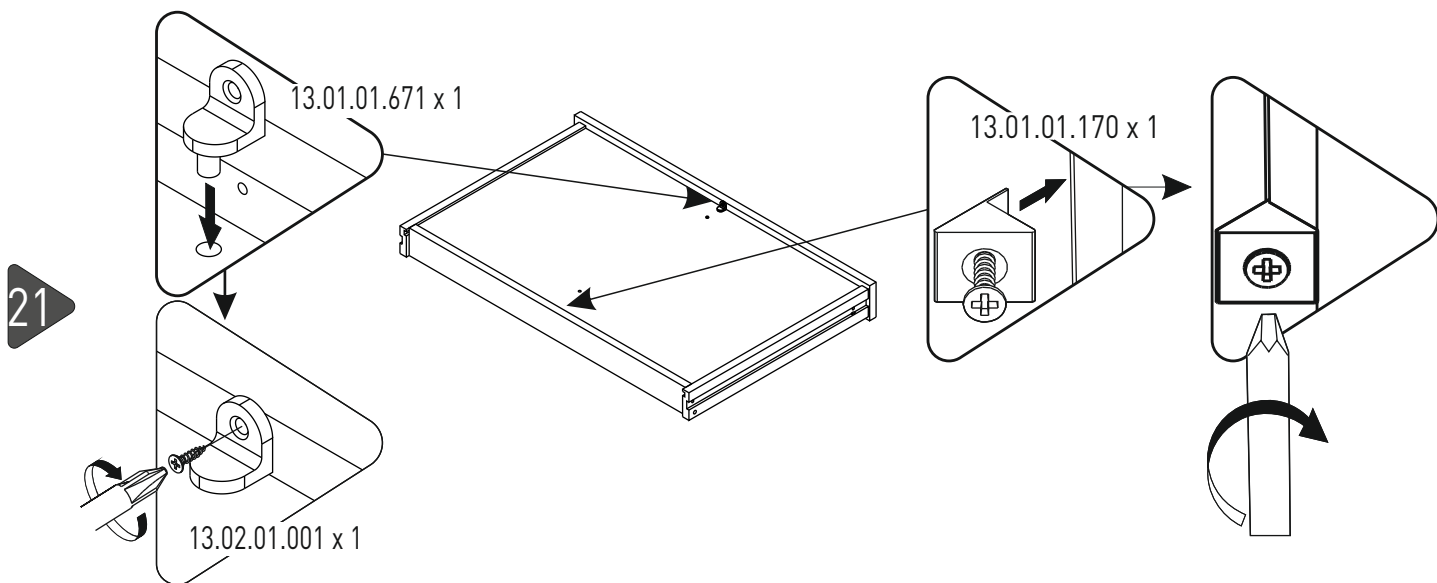
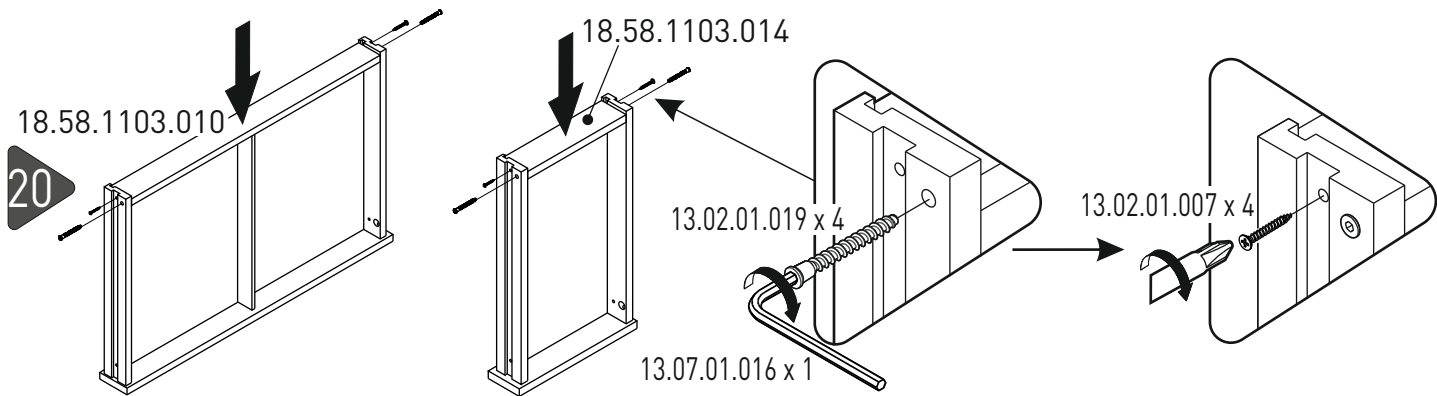


18

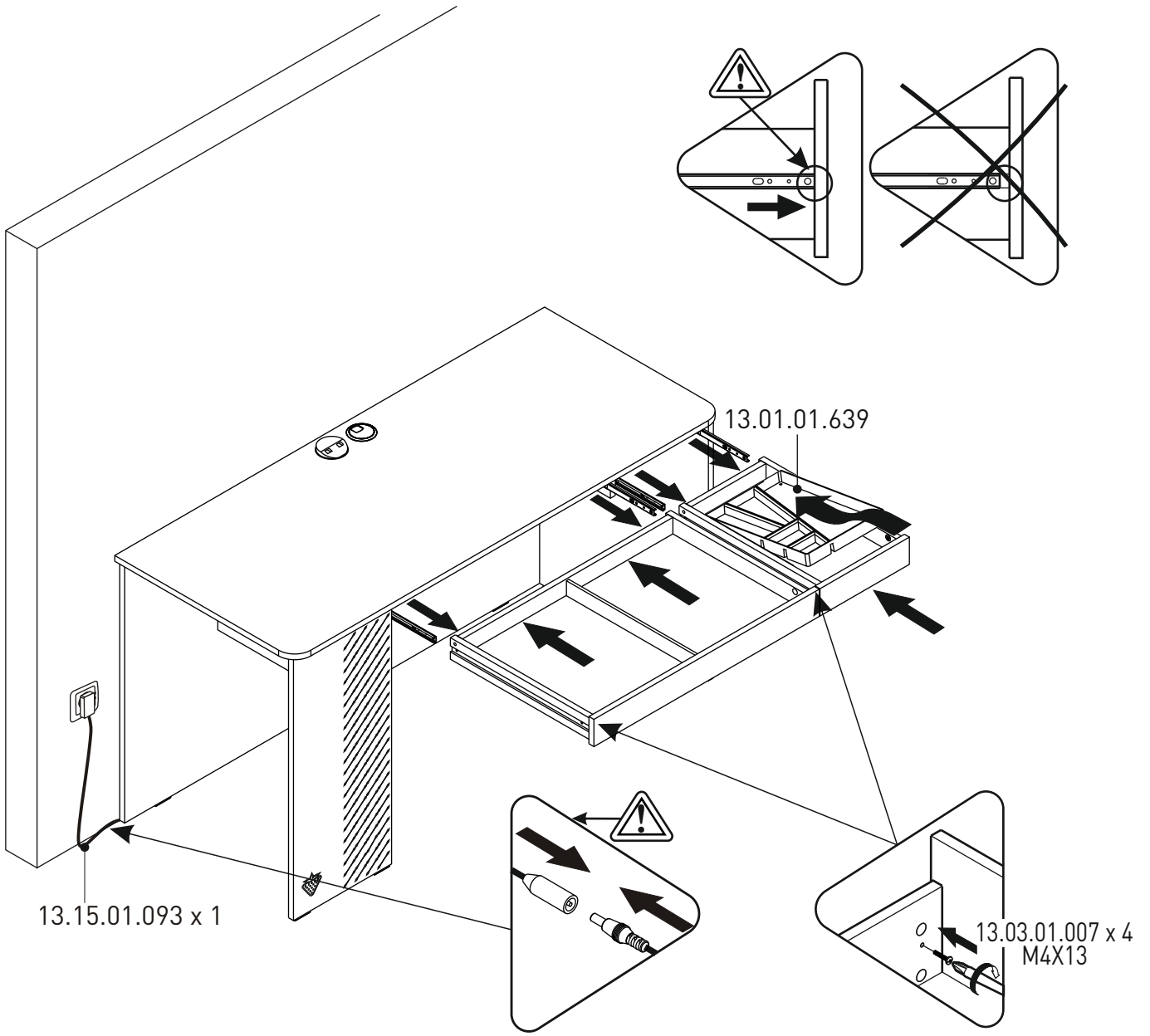


19





23



24

