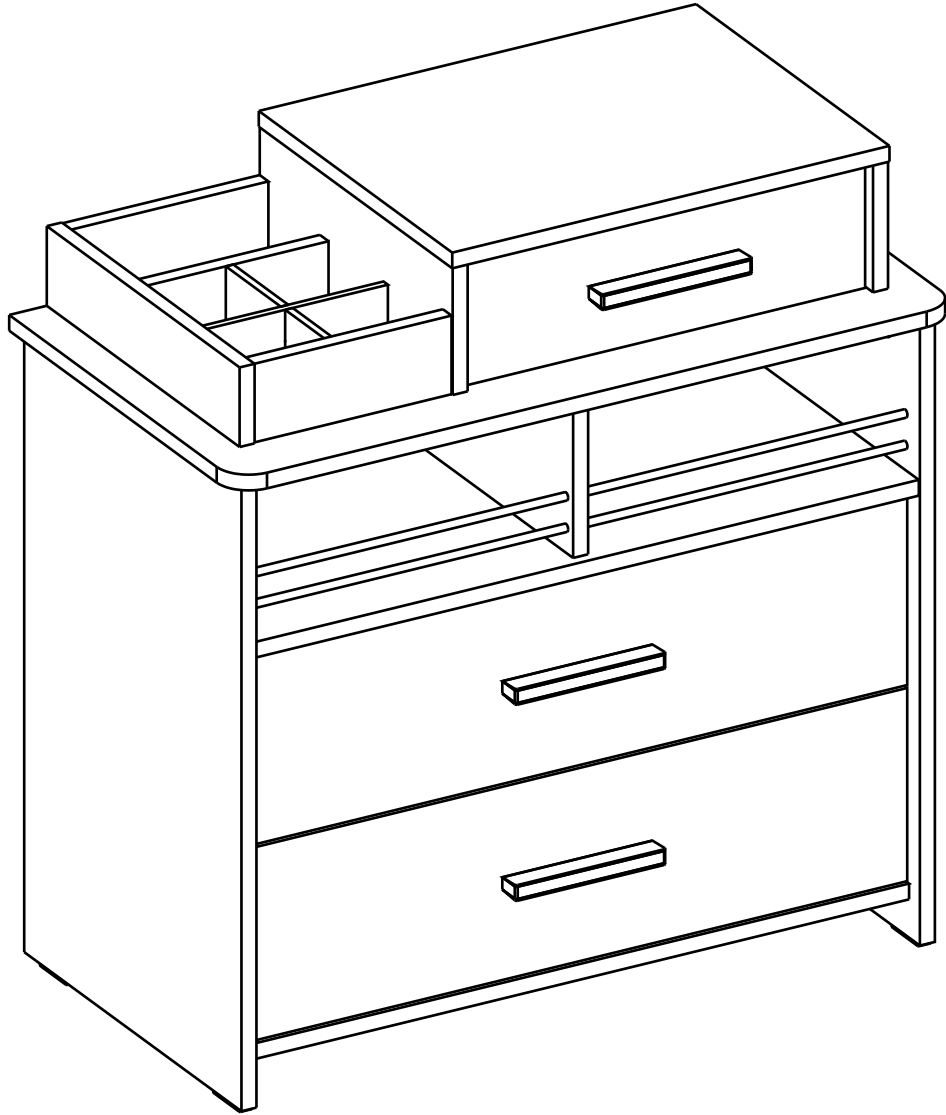
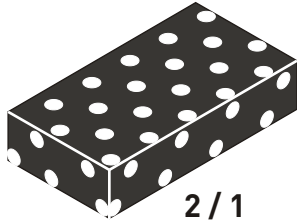
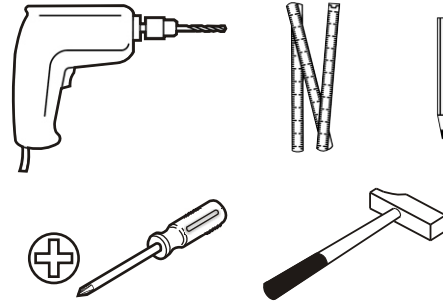
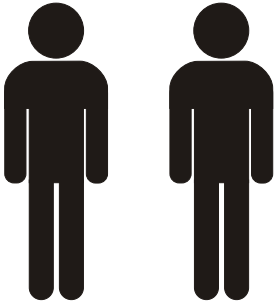
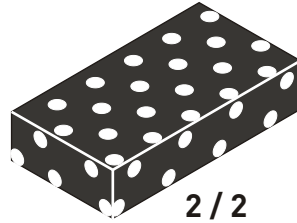


20.50.1201.00

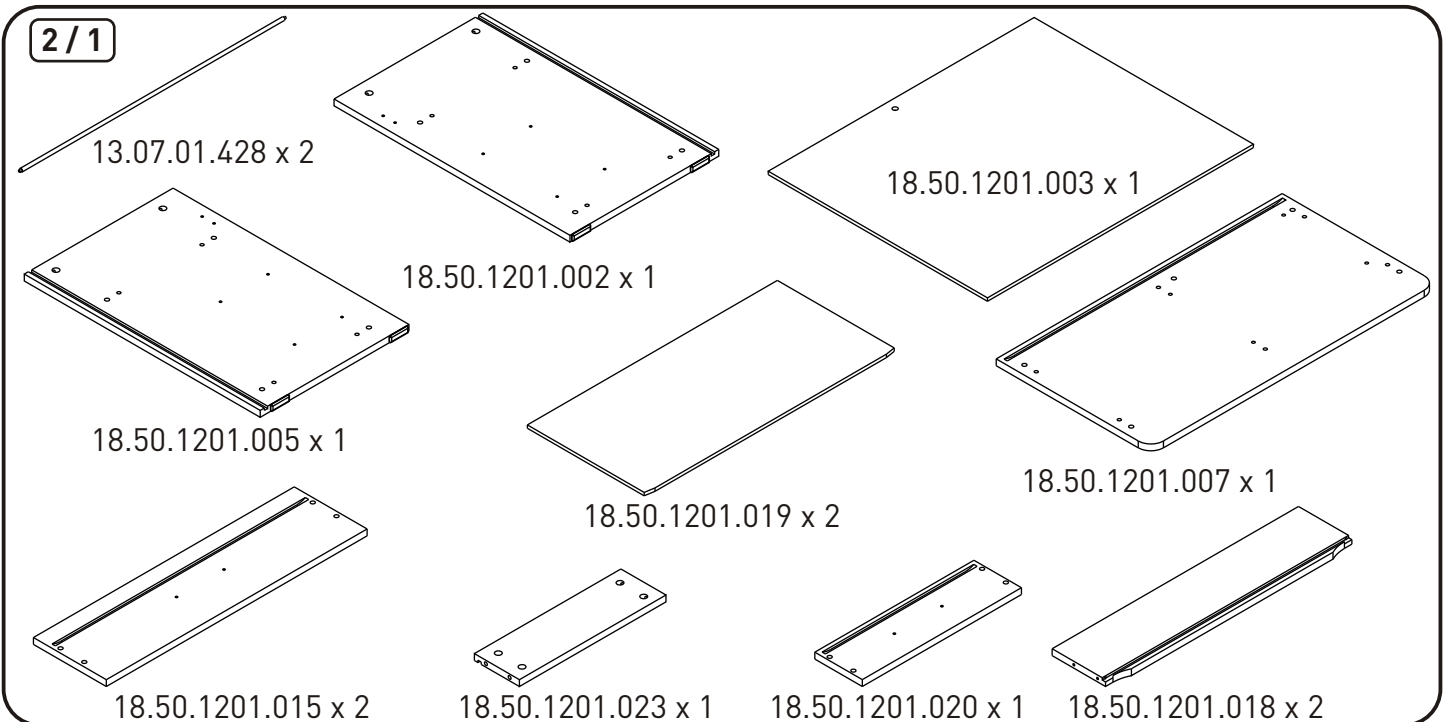
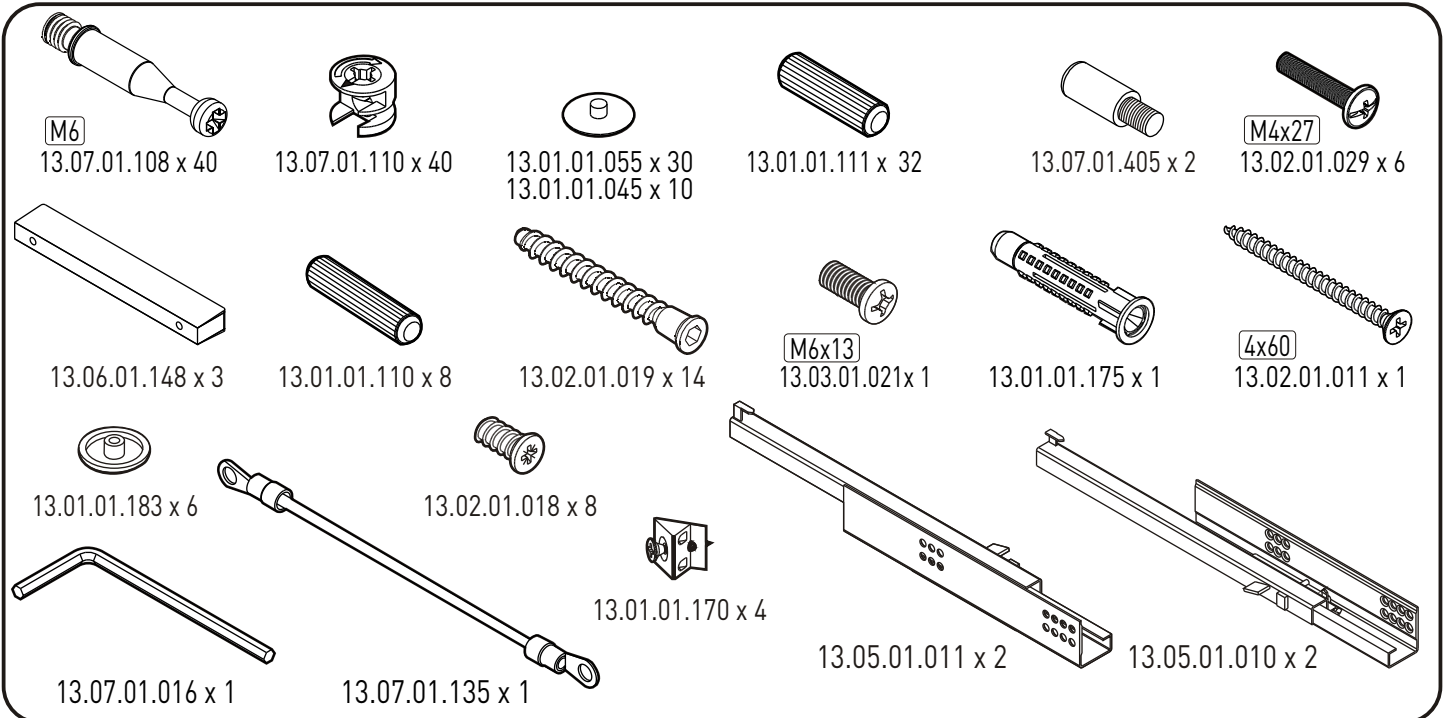


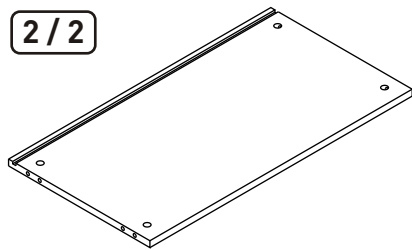


2 / 1

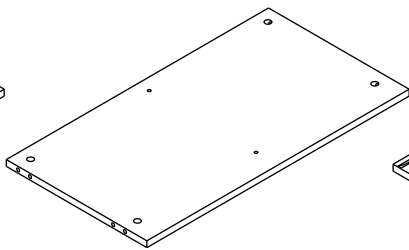


2 / 2

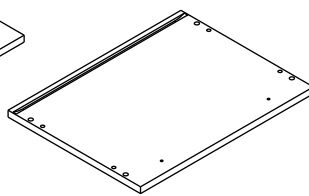




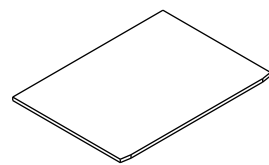
18.50.1201.001 x 1



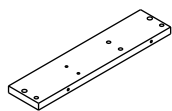
18.50.1201.004 x 1



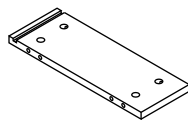
18.50.1201.011 x 1



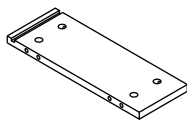
18.50.1201.024 x 1



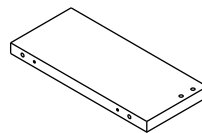
18.50.1201.025 x 1



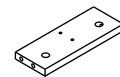
18.50.1201.008 x 1



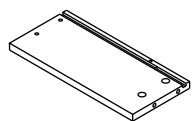
18.50.1201.009 x 1



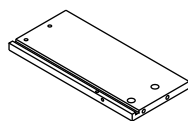
18.50.1201.006 x 1



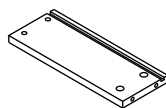
18.50.1201.012 x 1



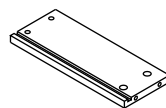
18.50.1201.016 x 2



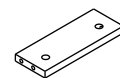
18.50.1201.017 x 2



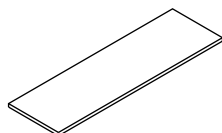
18.50.1201.021 x 1



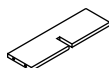
18.50.1201.022 x 1



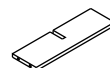
18.50.1201.014 x 1



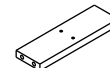
18.50.1201.010 x 1



13.14.03.454 x 1

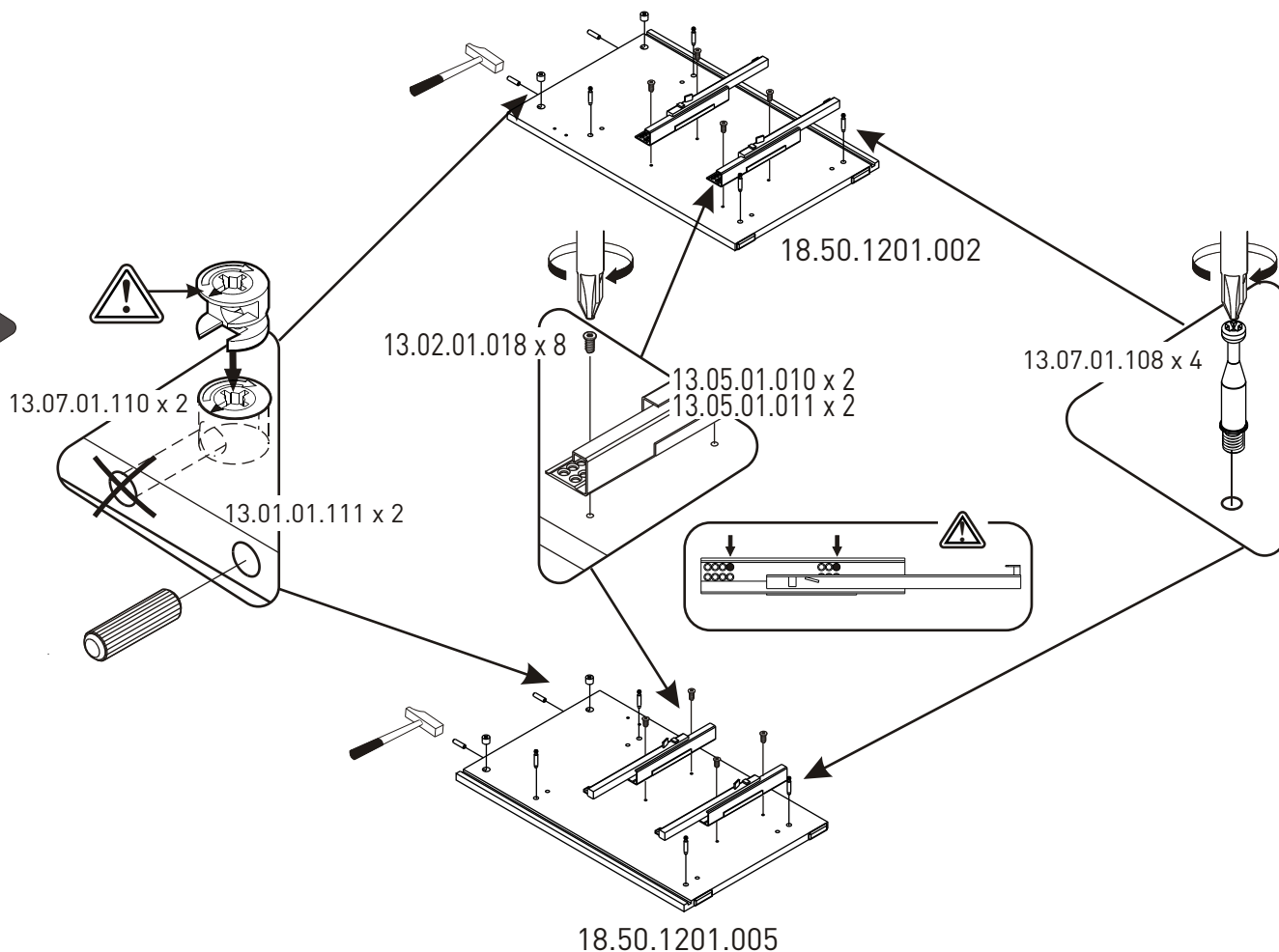


13.14.03.455 x 1

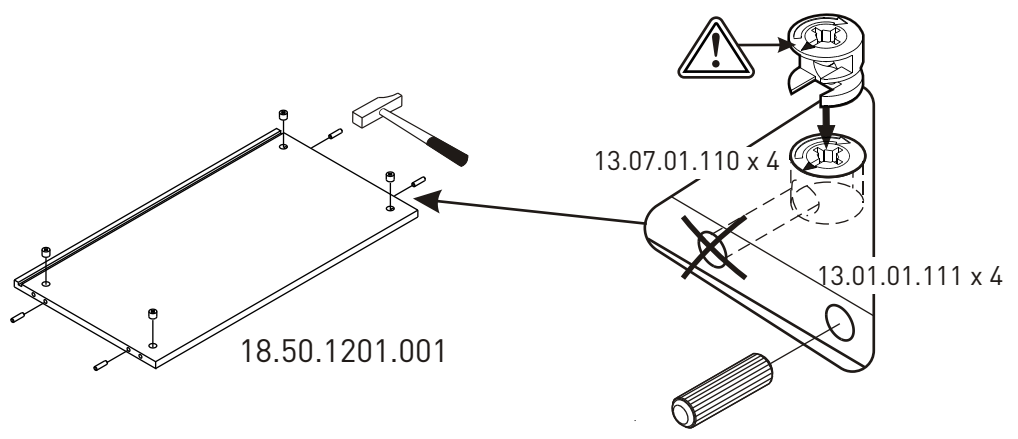


18.50.1201.013 x 1

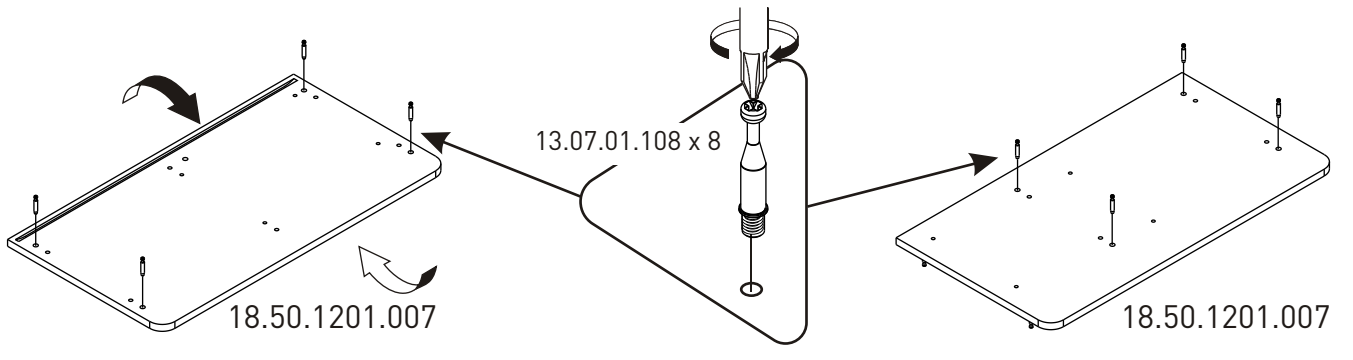
1



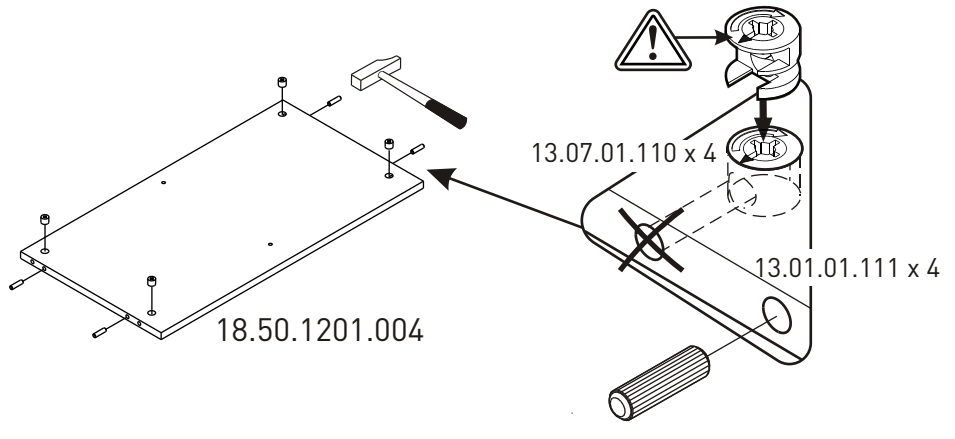
2



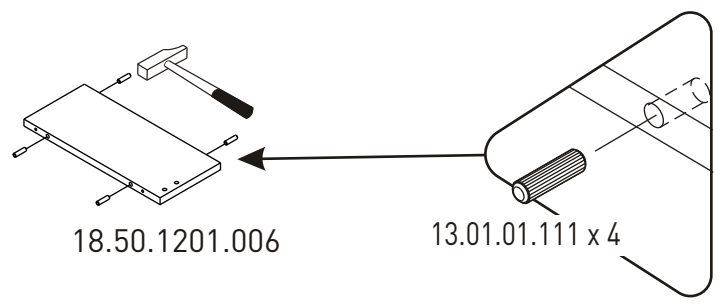
3



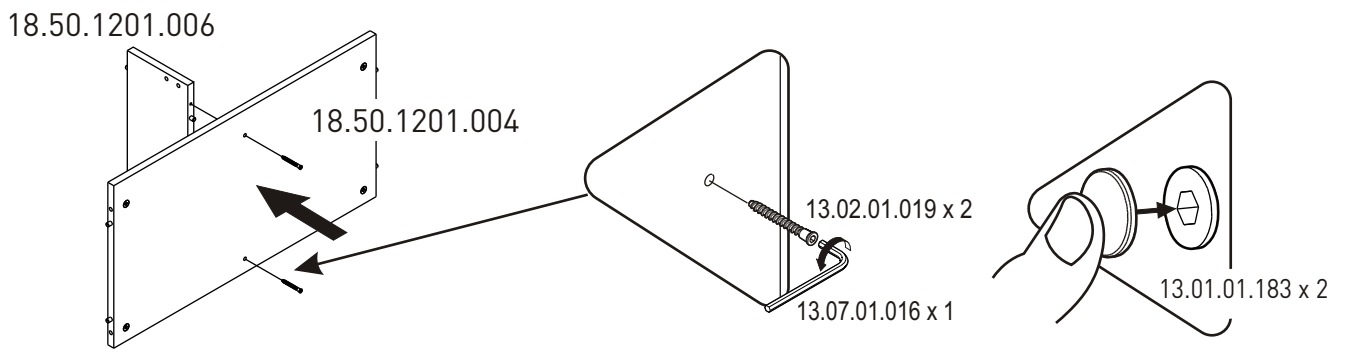
4



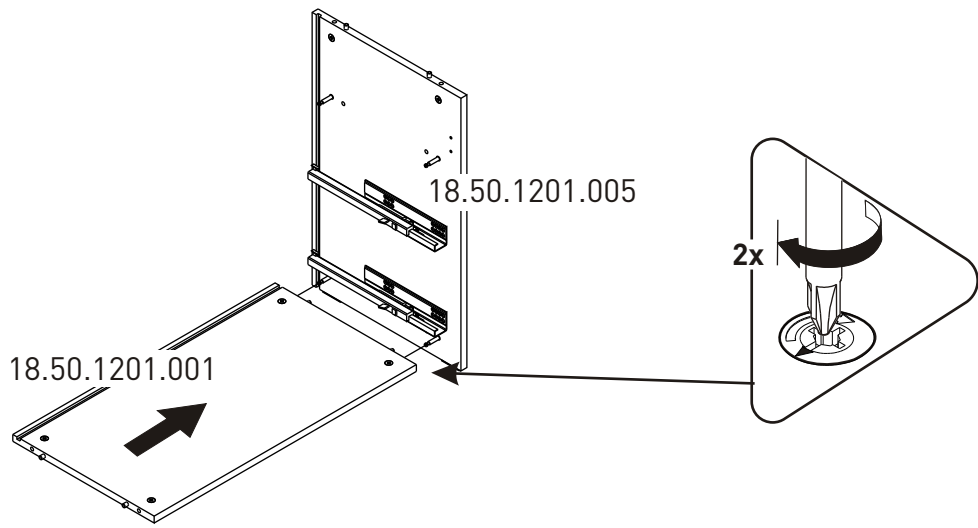
5



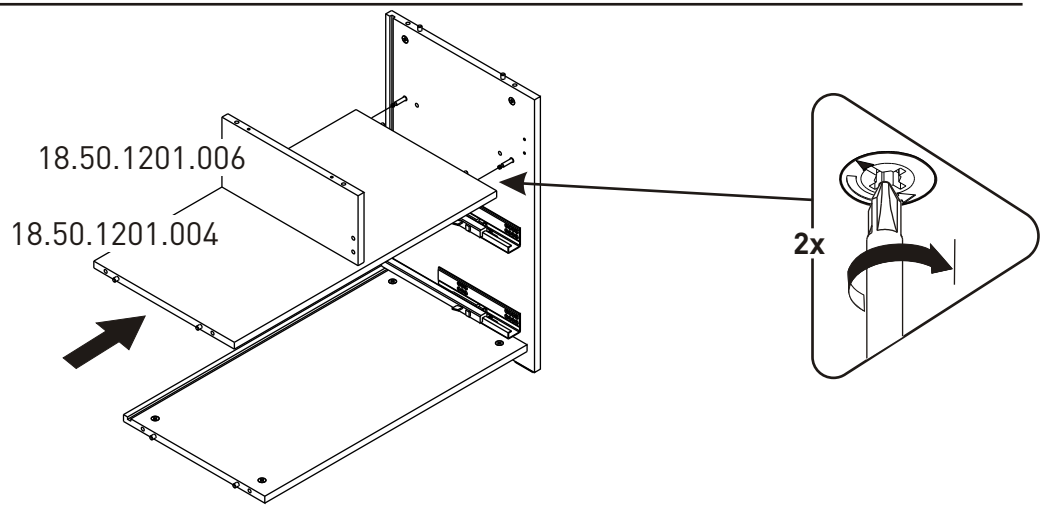
6



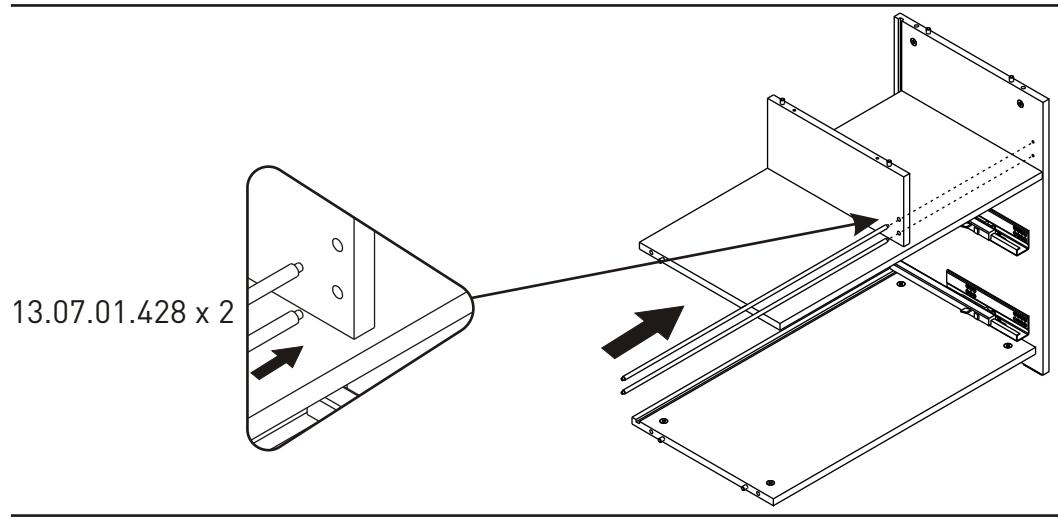
7



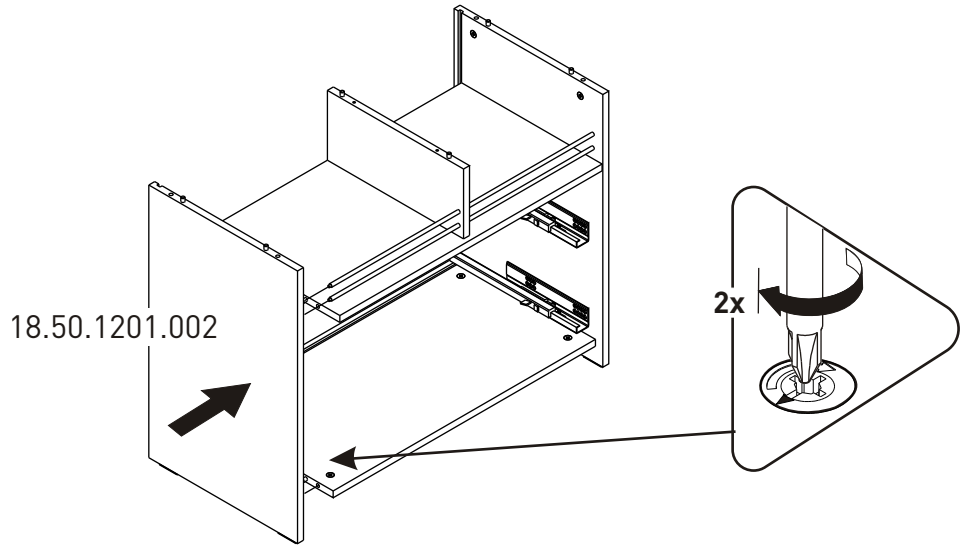
8



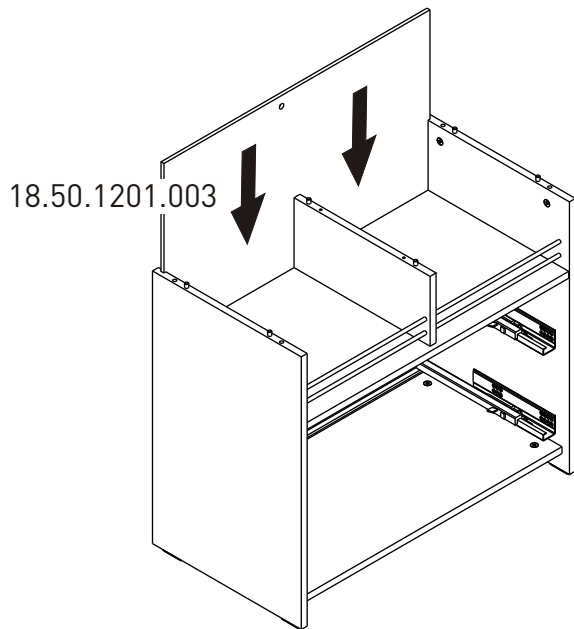
9



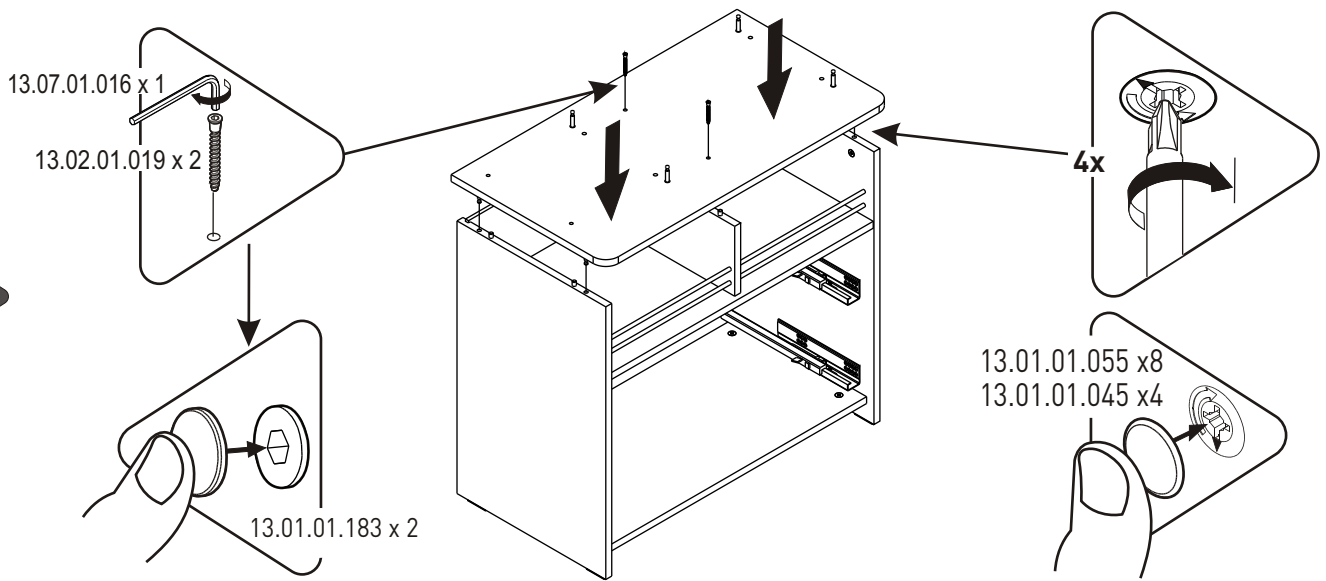
10



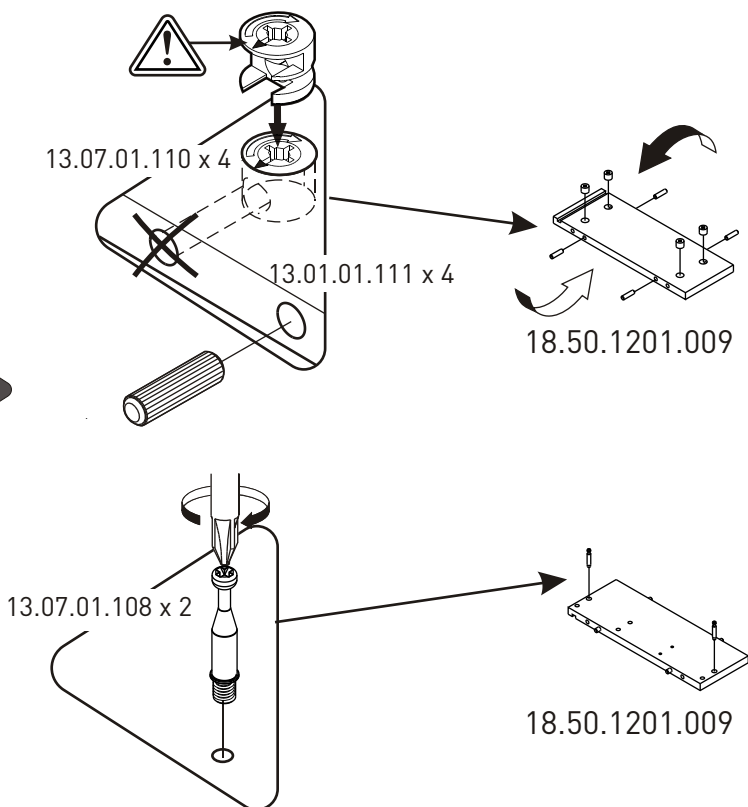
11



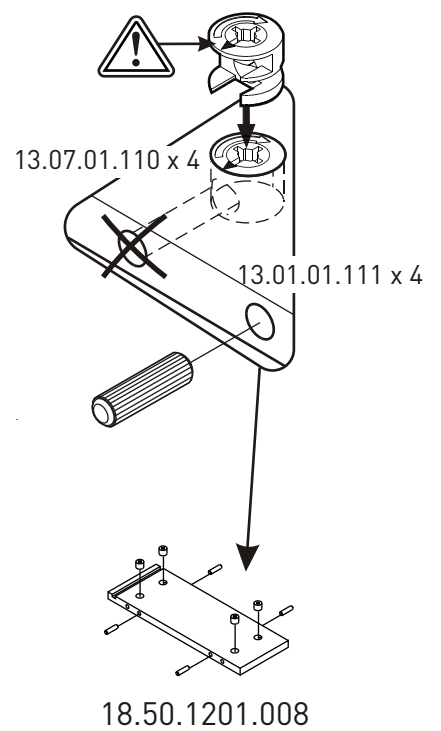
12



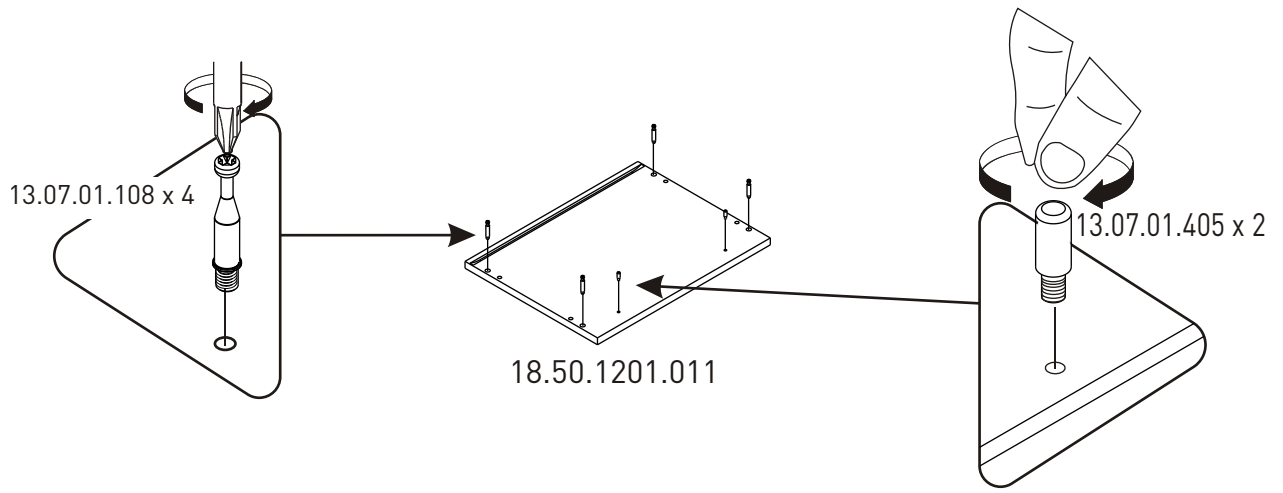
13



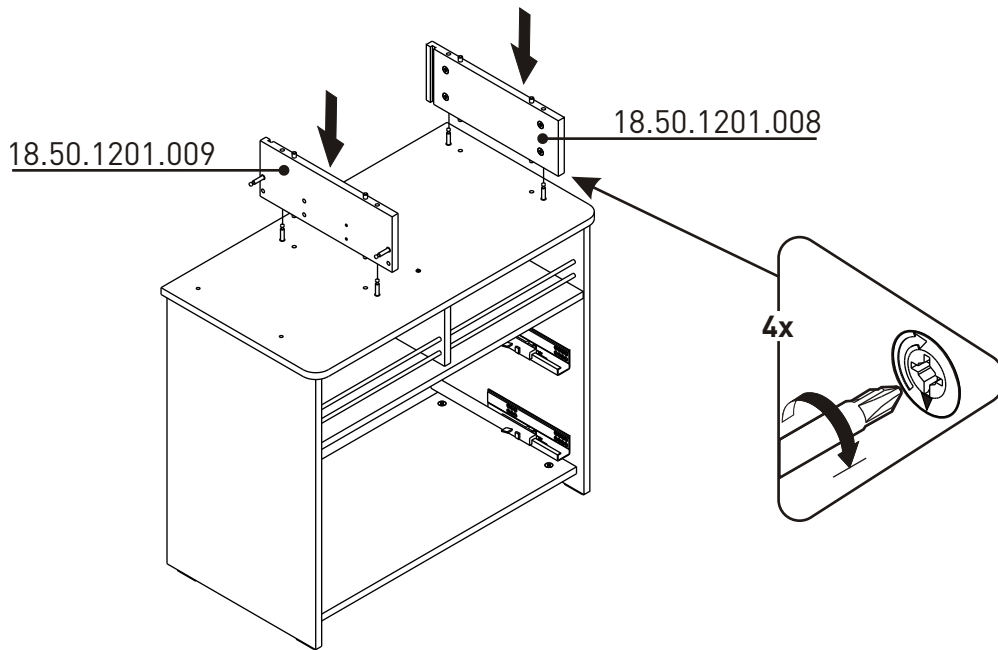
14



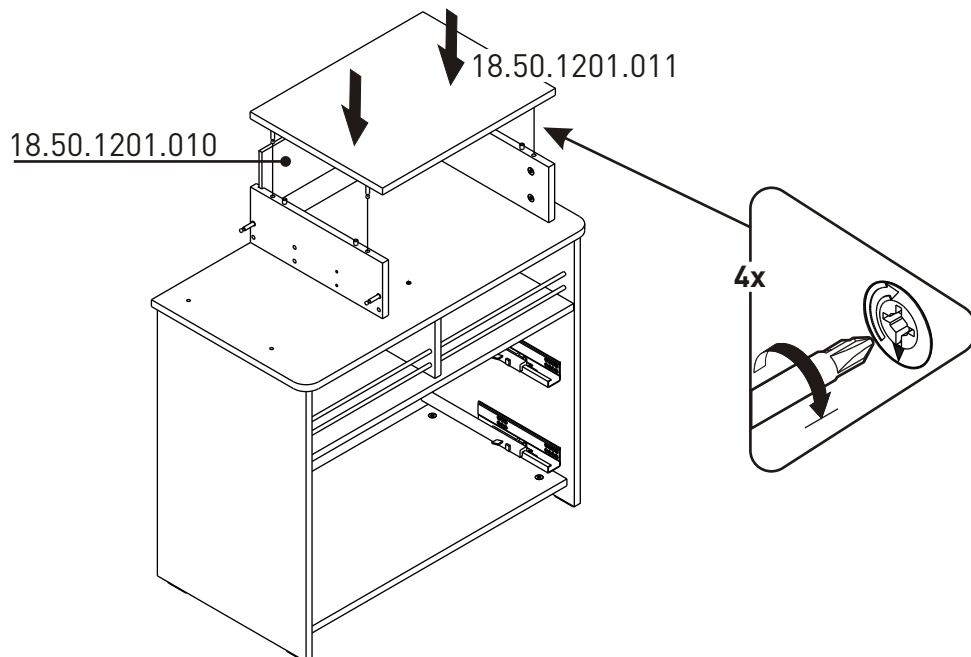
15



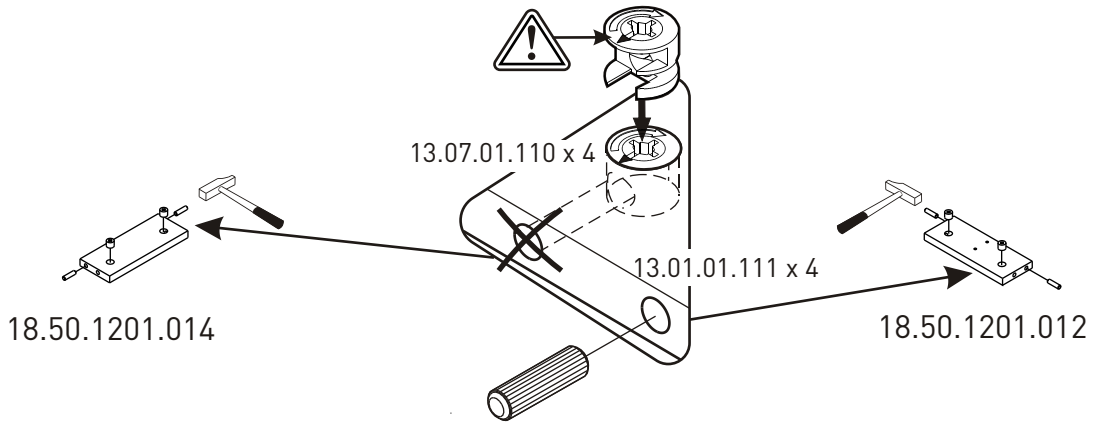
16



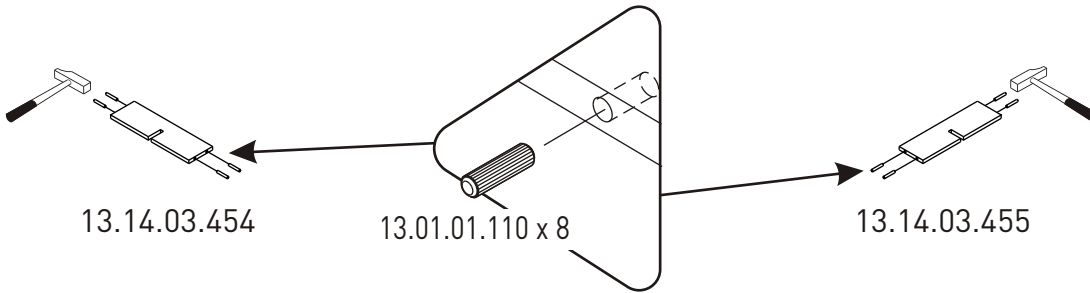
17



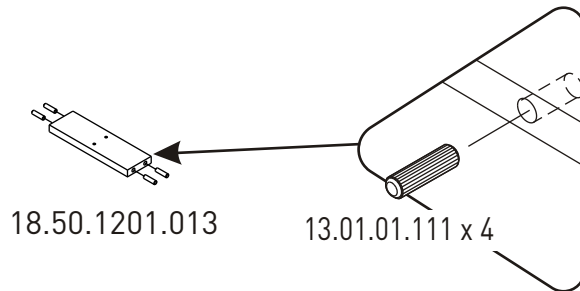
18



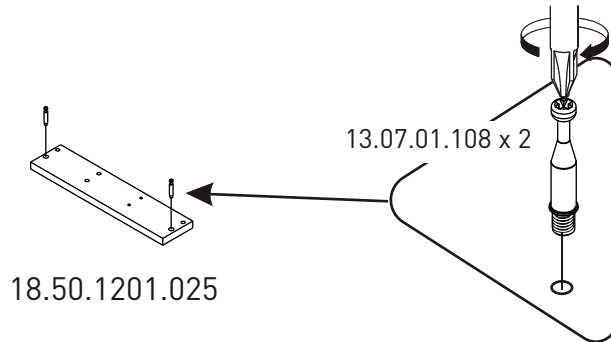
19



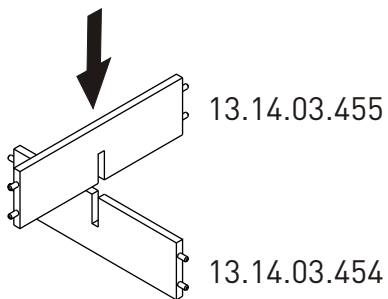
20



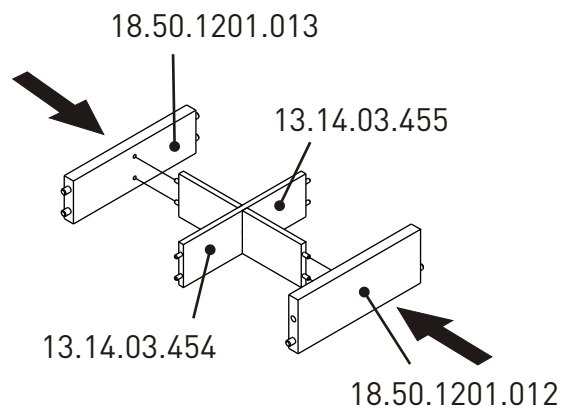
21



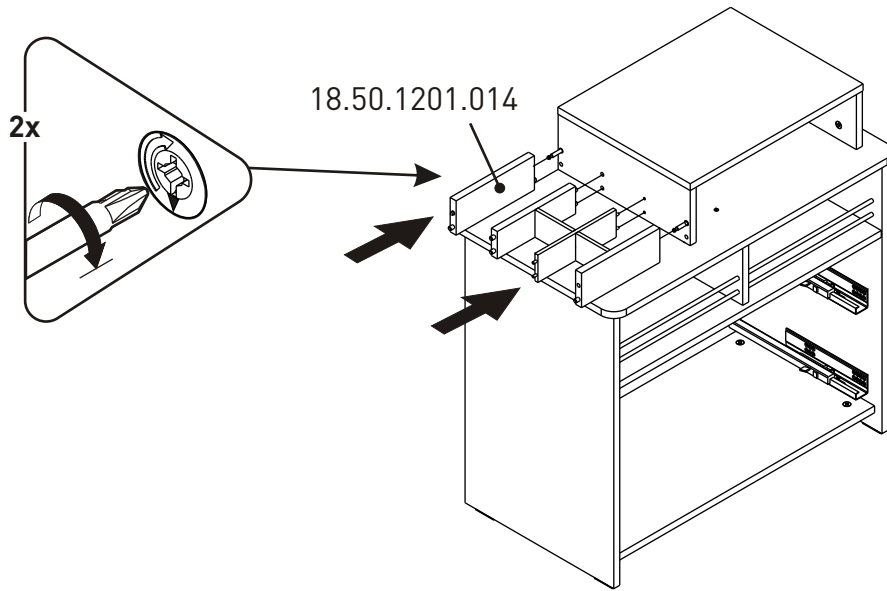
22



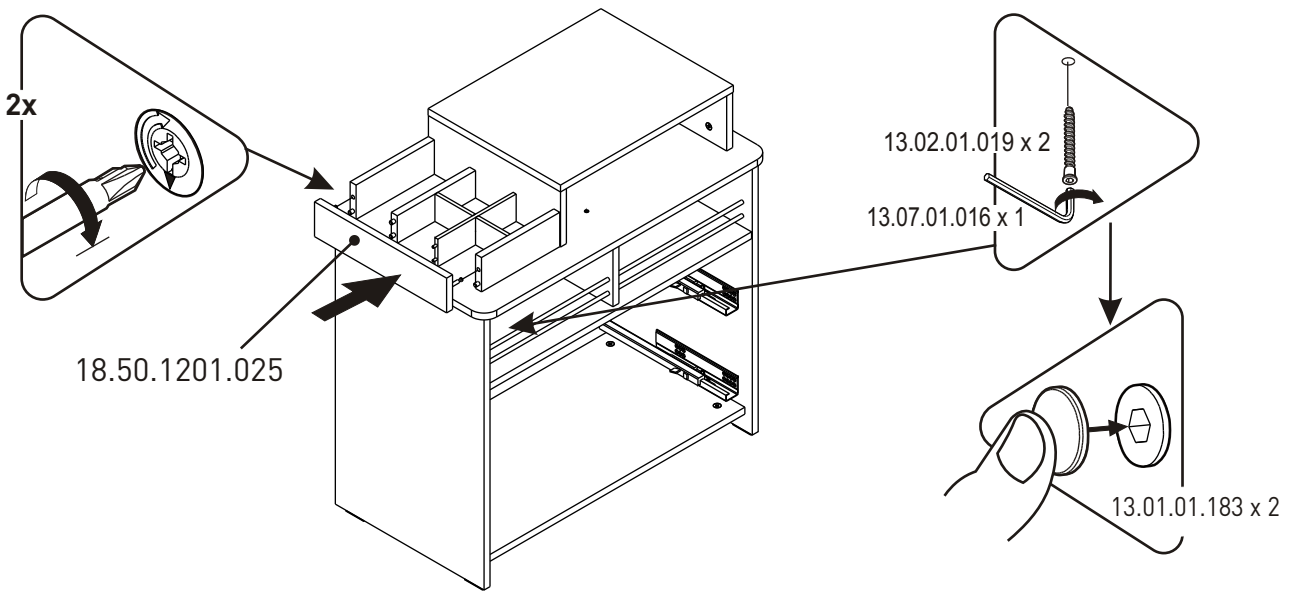
23



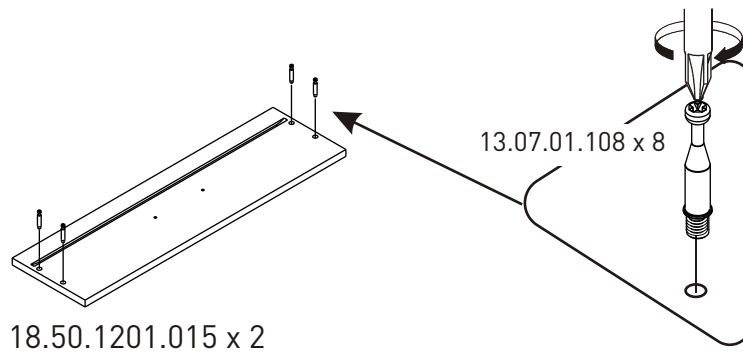
24



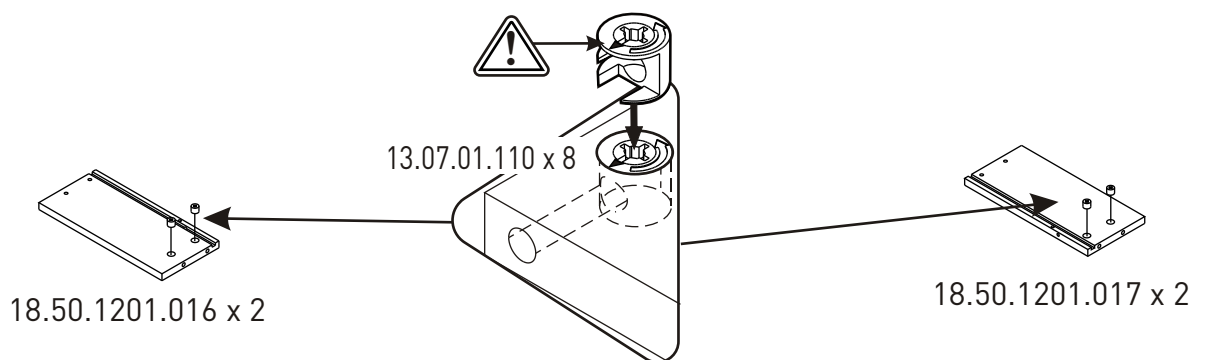
25



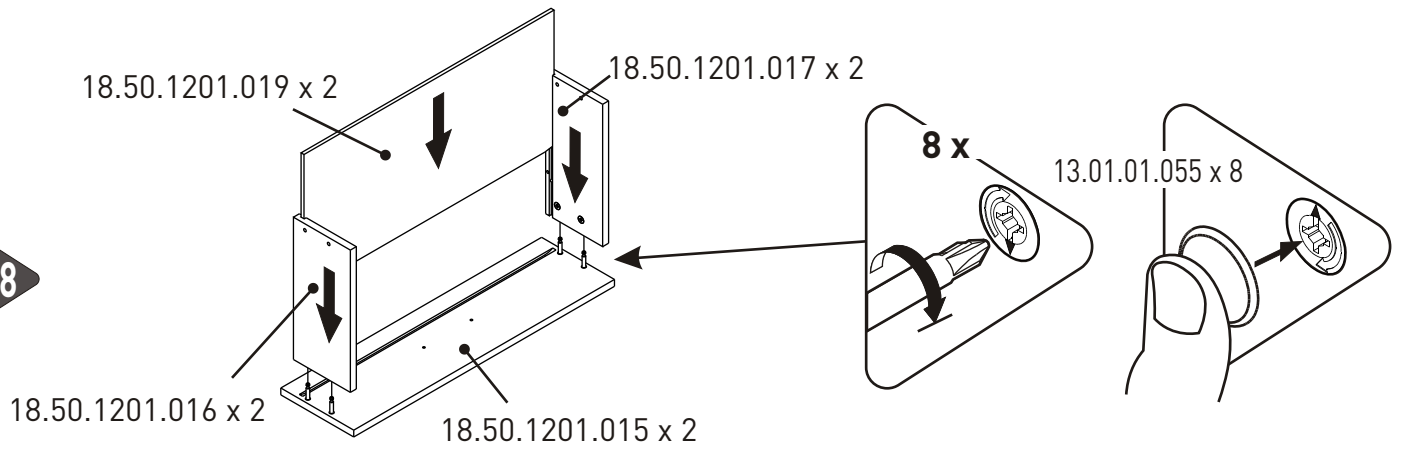
26



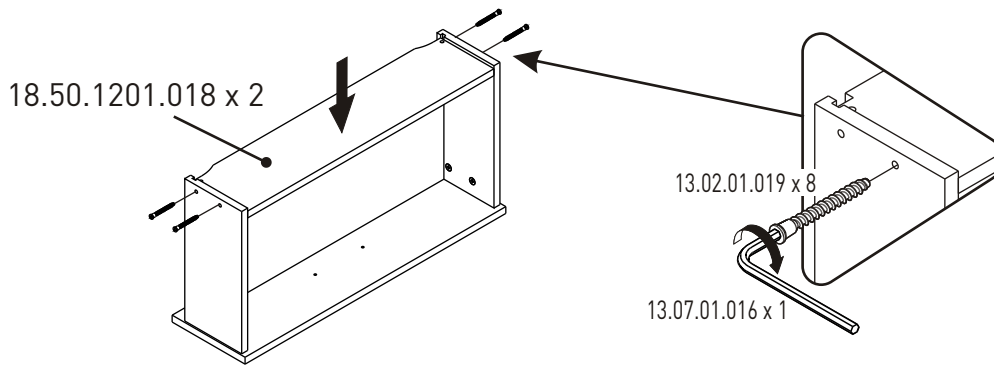
27



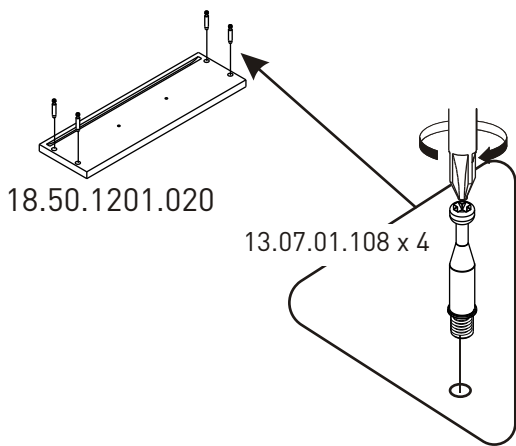
28



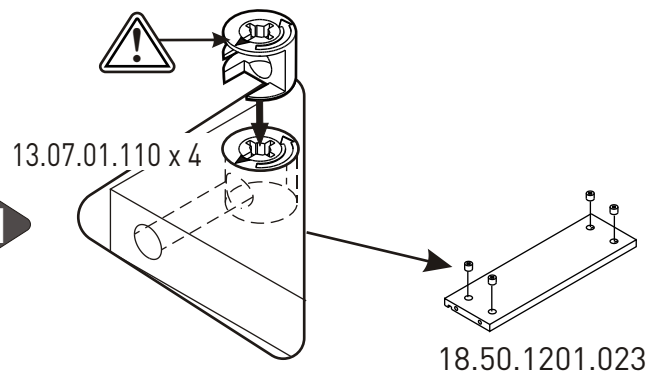
29



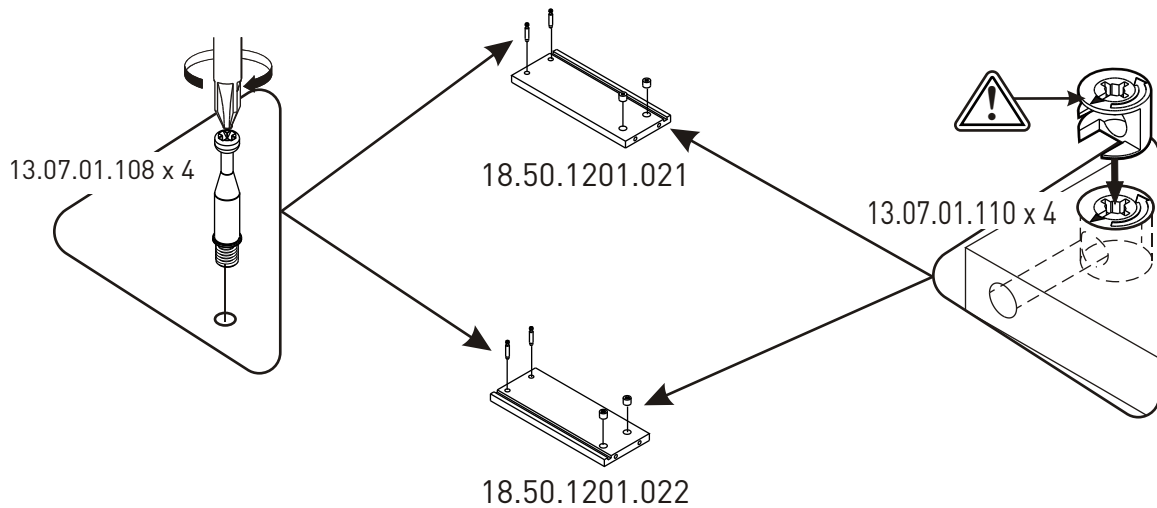
30



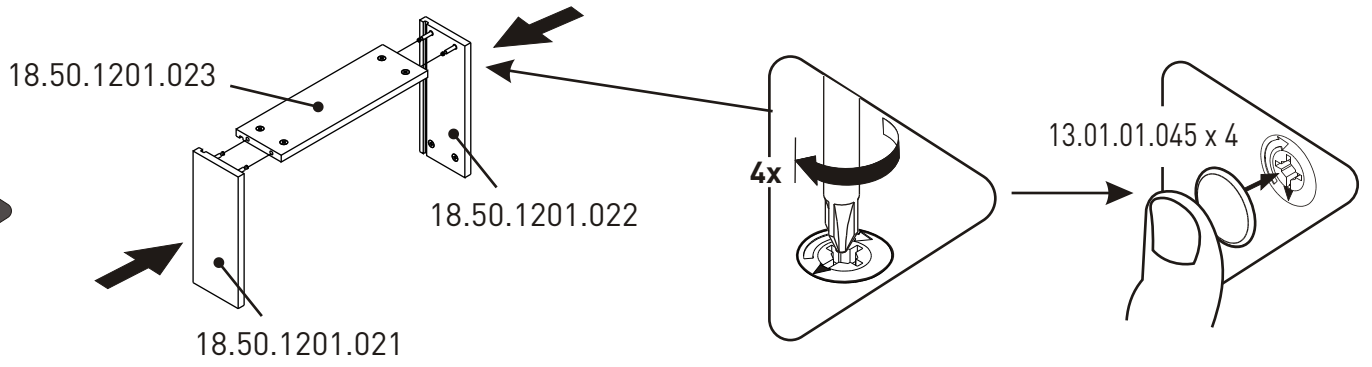
31



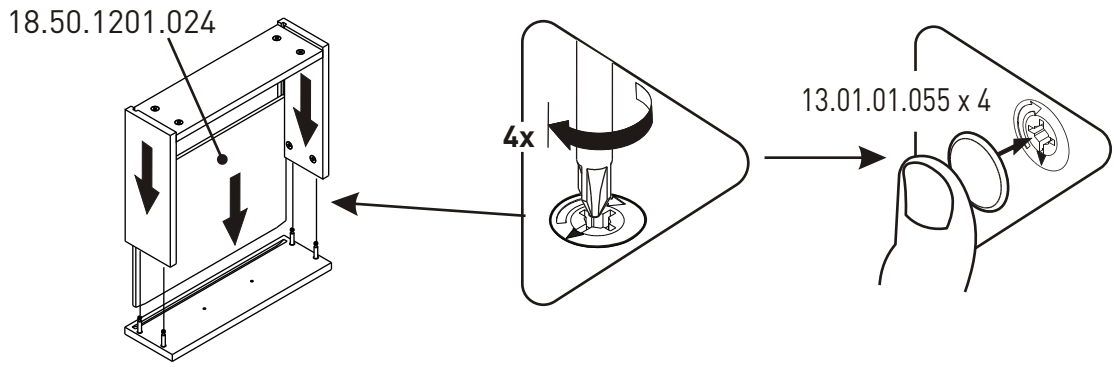
32



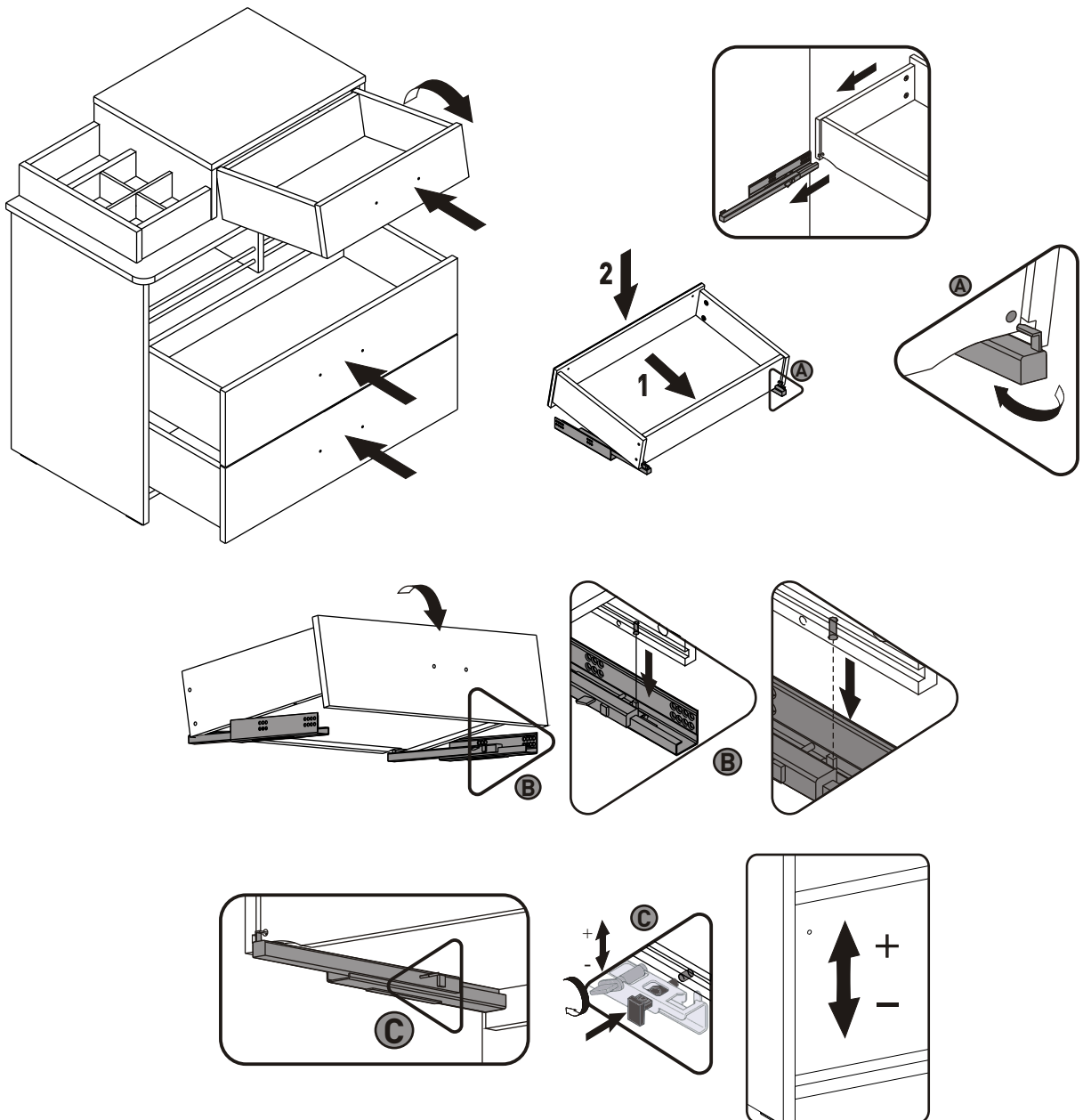
33



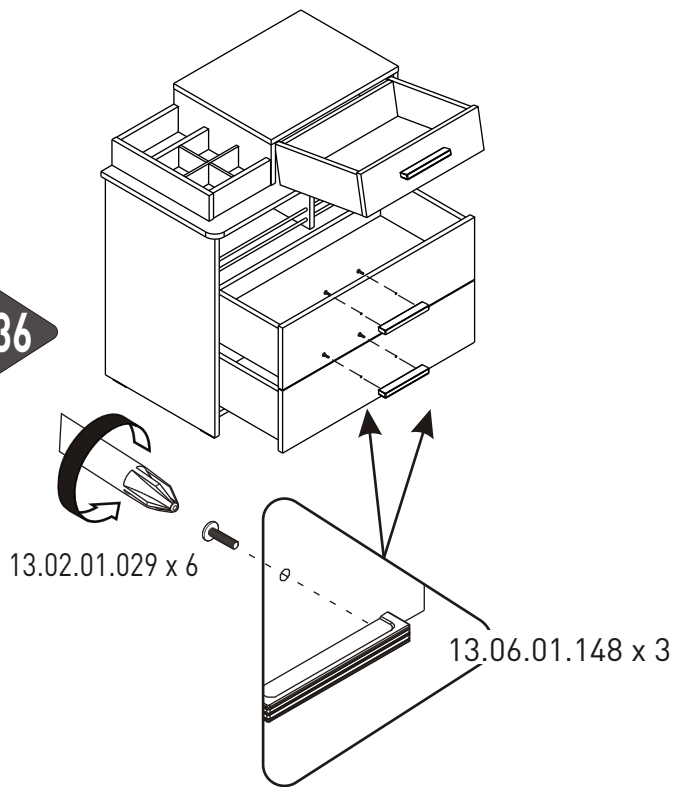
34



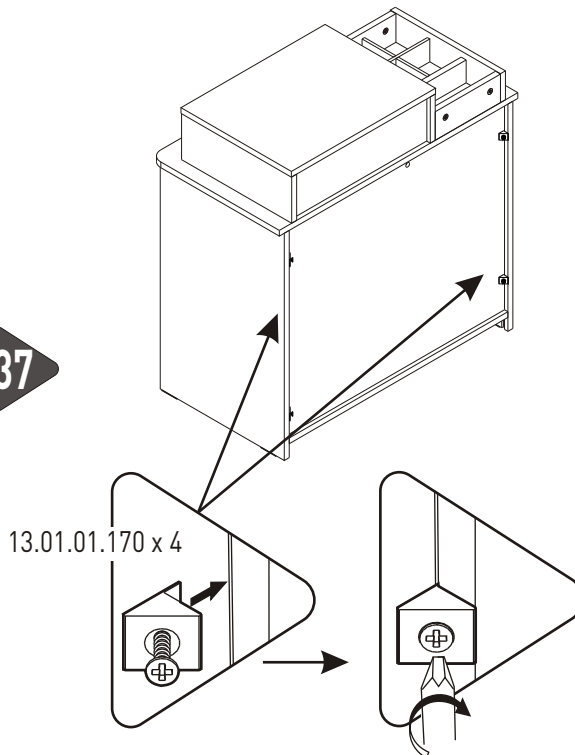
35



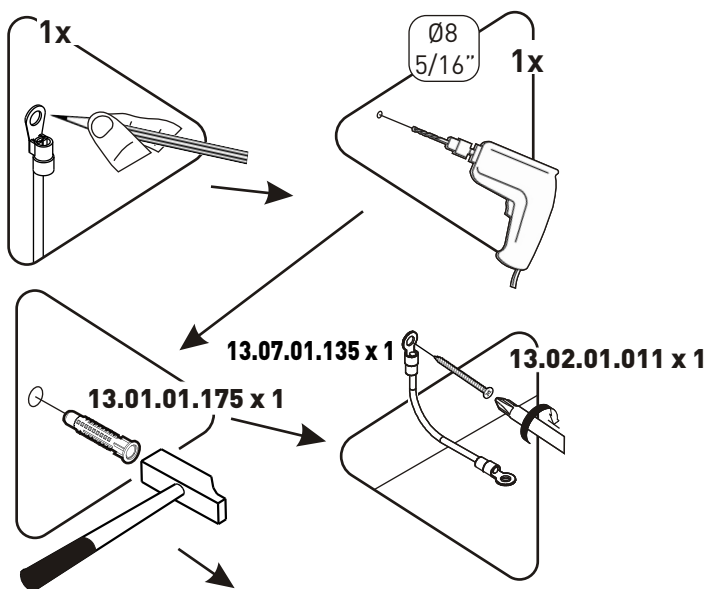
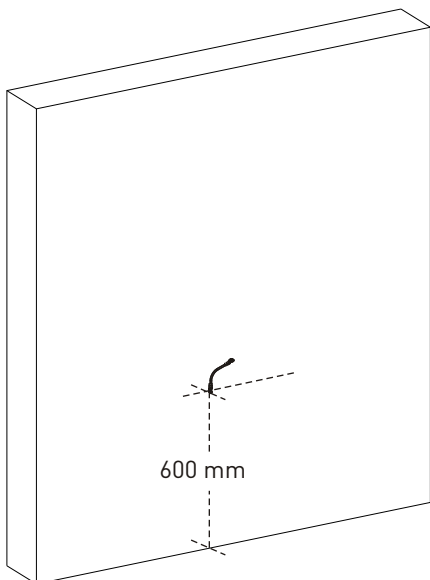
36



37



38



39

