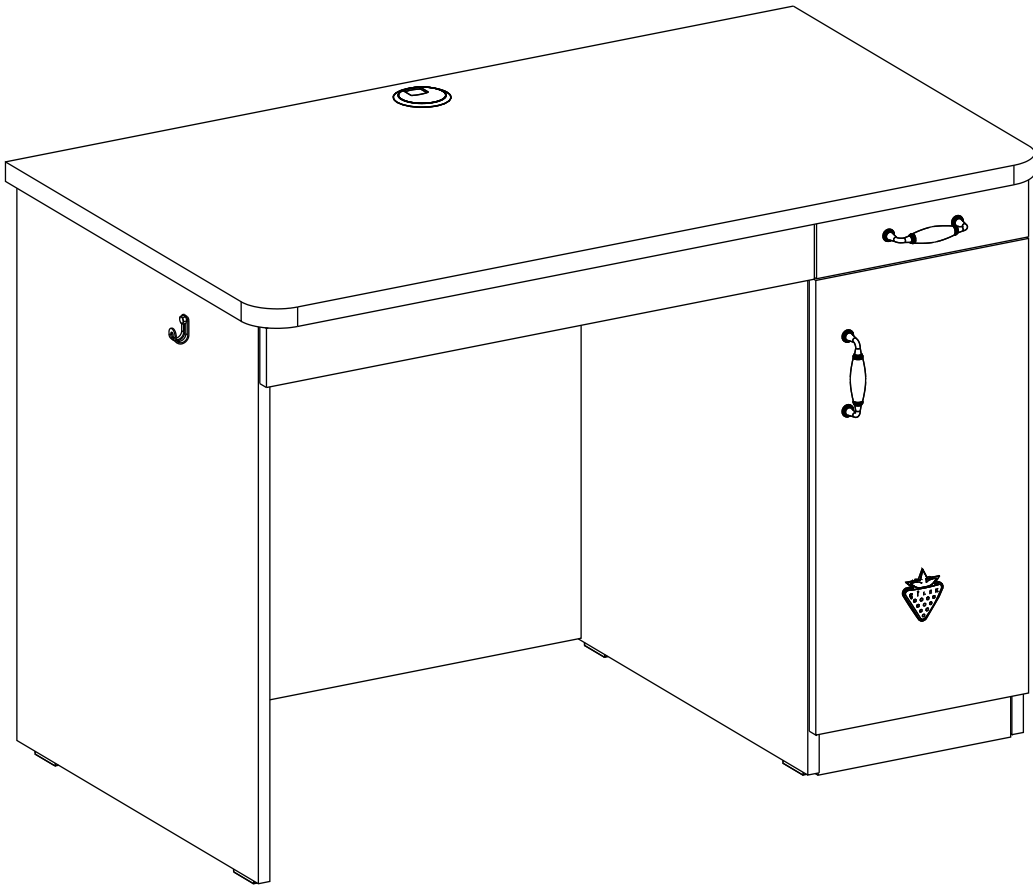
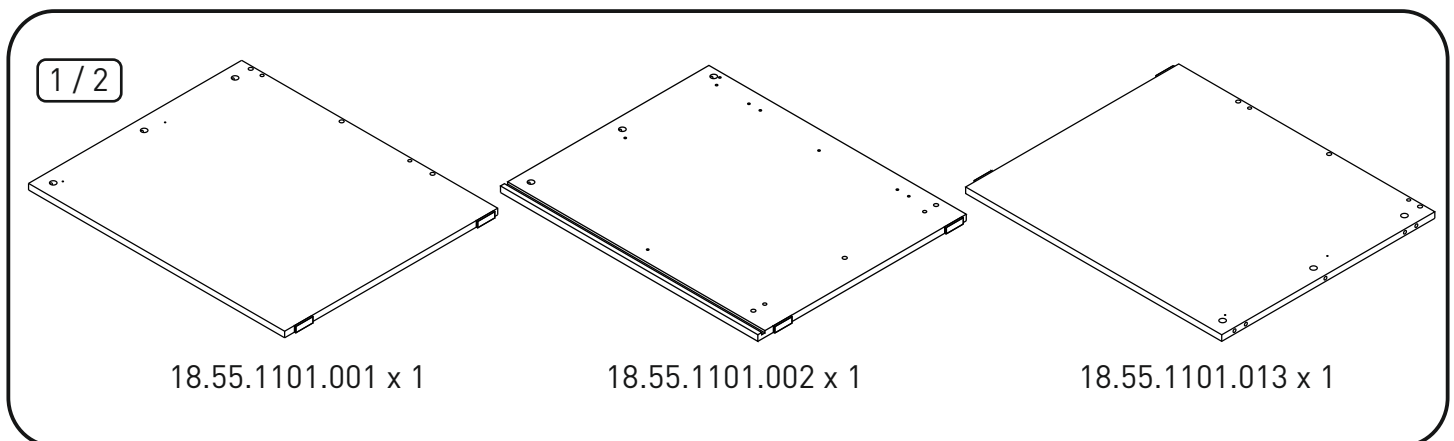
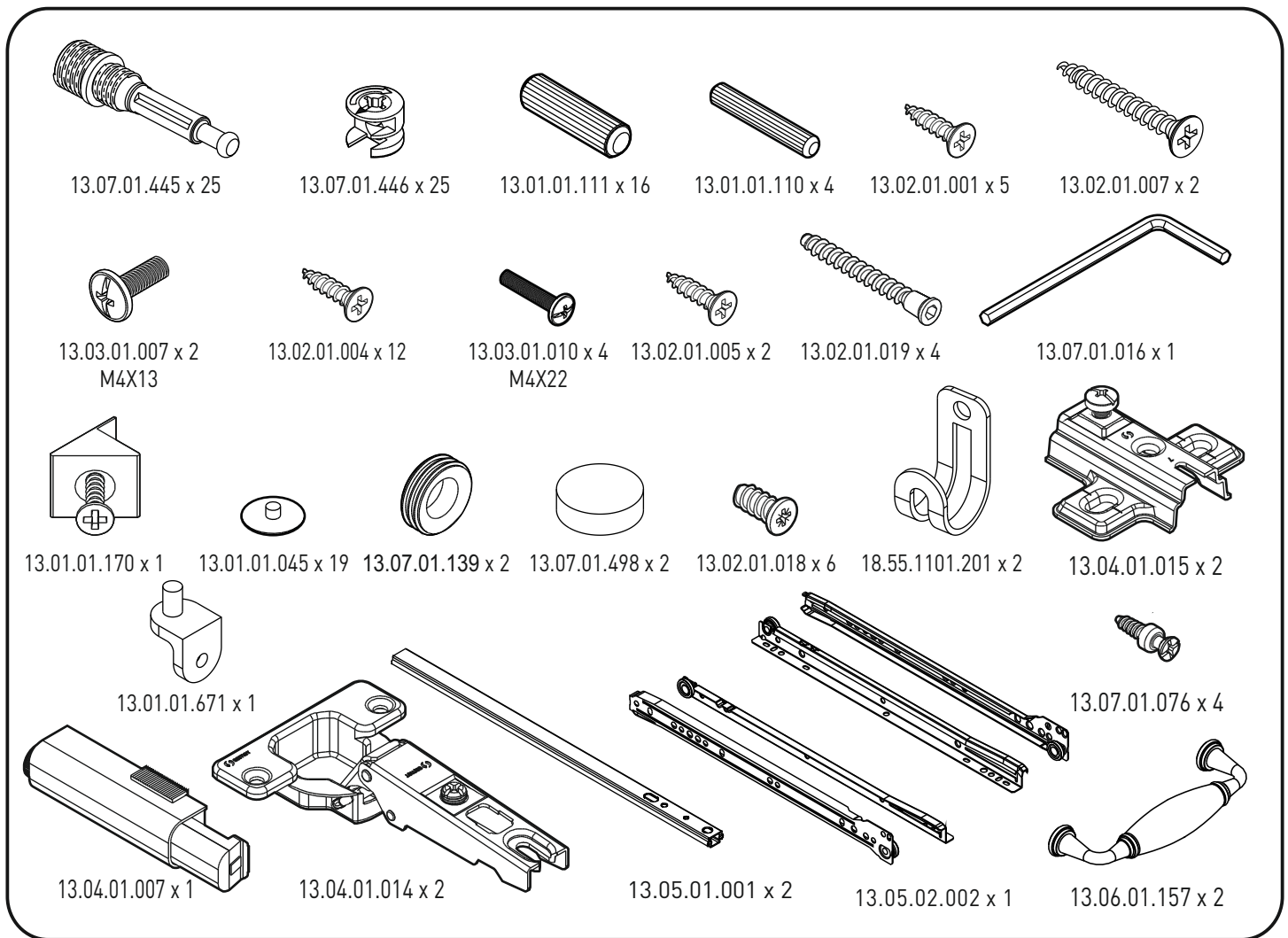
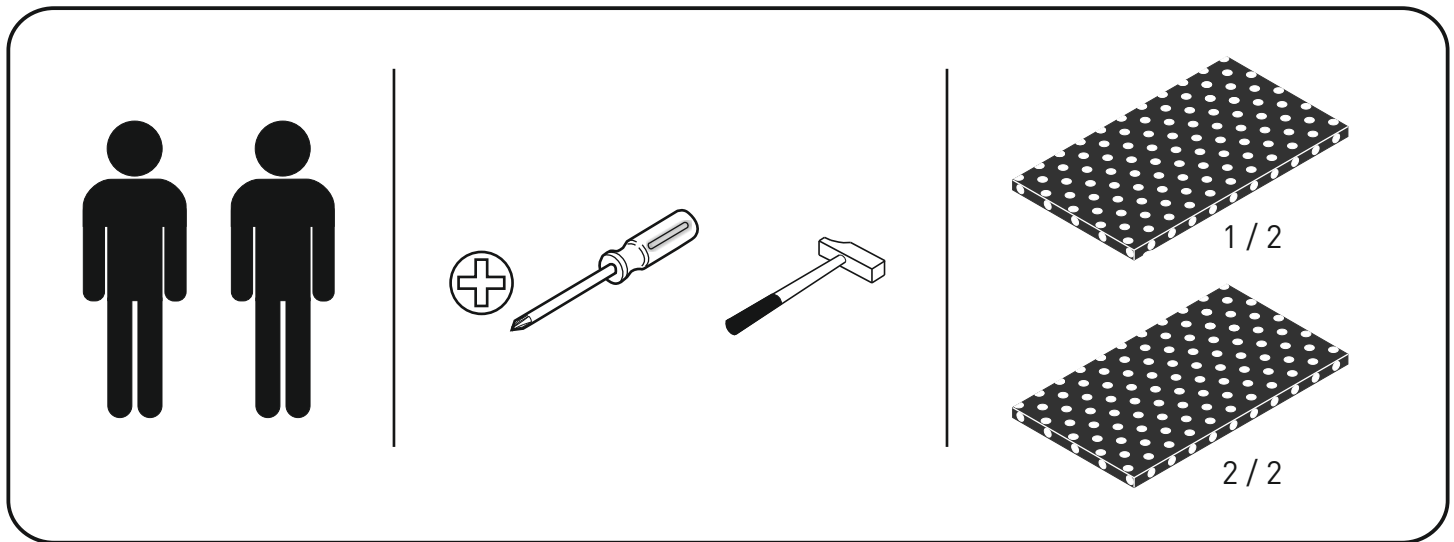
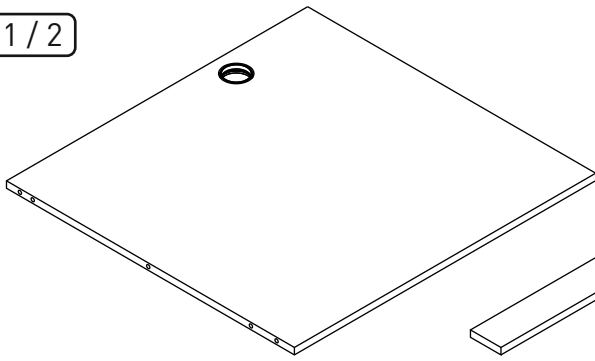


20.55.1101.00

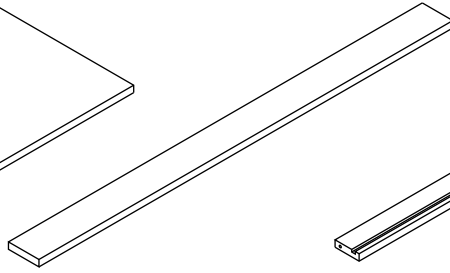




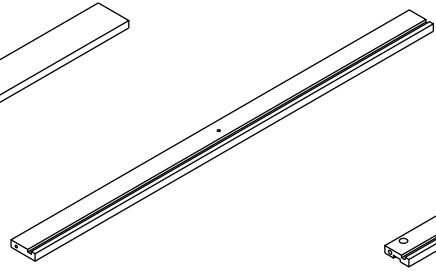
1/2



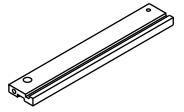
18.55.1101.003 x 1



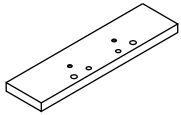
18.55.1101.005 x 1



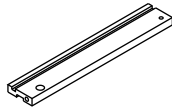
18.55.1101.009 x 1



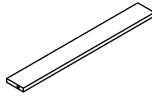
18.55.1101.007 x 1



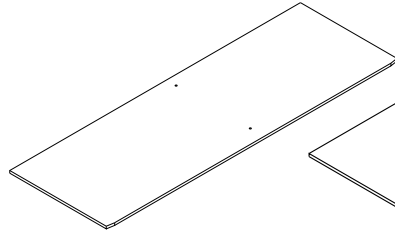
18.55.1101.006 x 1



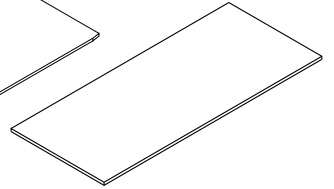
18.55.1101.008 x 1



18.55.1101.020 x 1

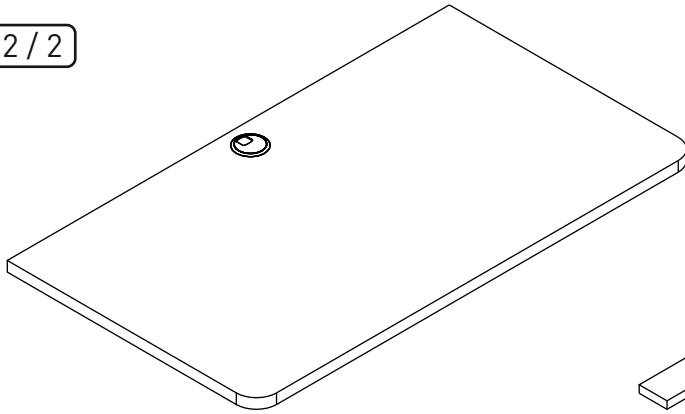


18.55.1101.012 x 1

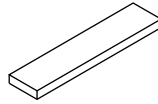


18.55.1101.018 x 1

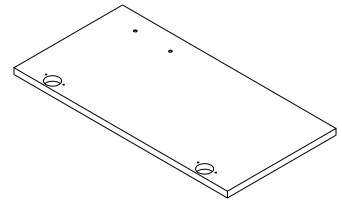
2/2



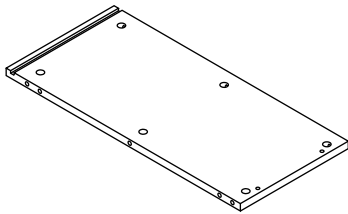
18.55.1101.004 x 1



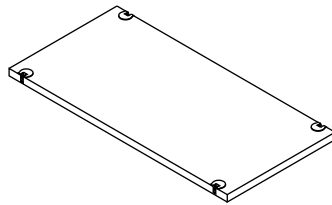
18.55.1101.017 x 1



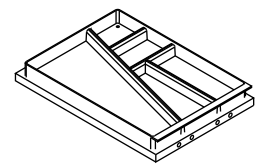
18.55.1101.014 x 1



18.55.1101.016 x 1

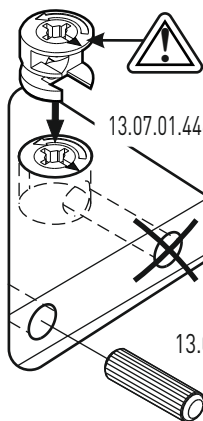


18.55.1101.015 x 1



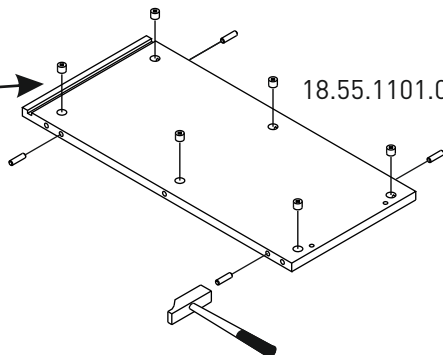
18.55.1101.019 x 1

1

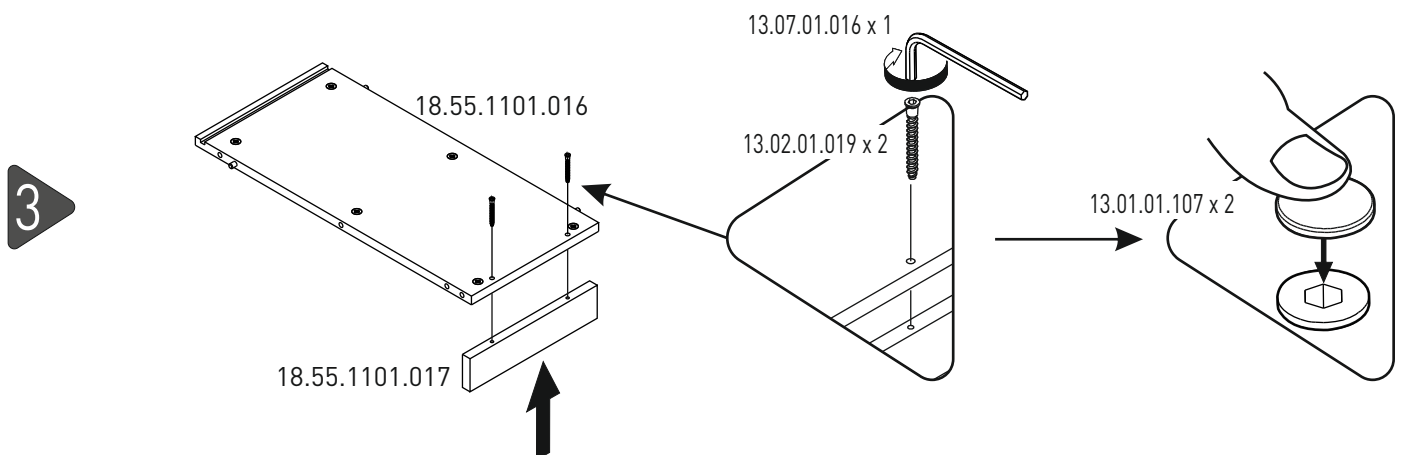
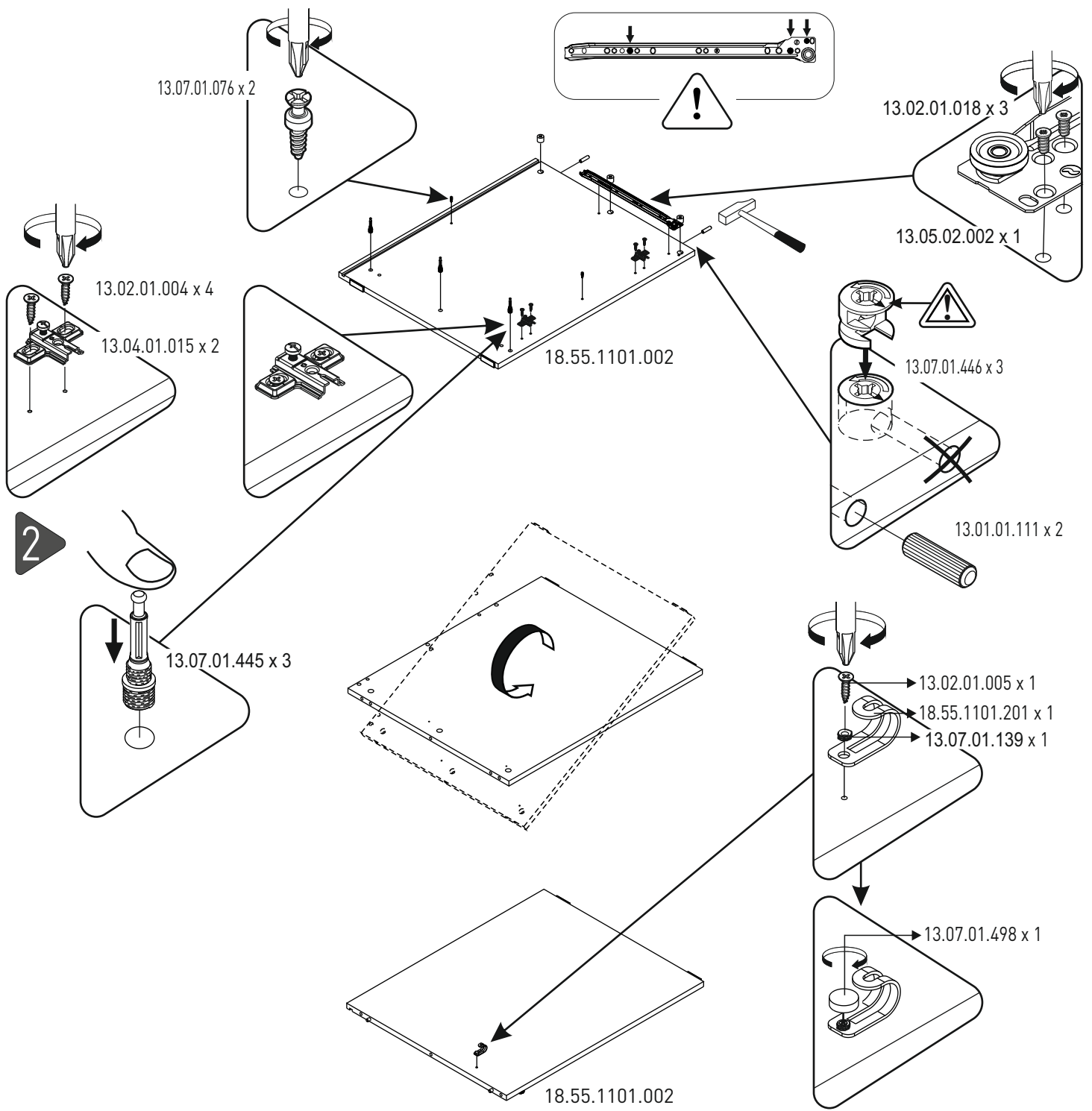


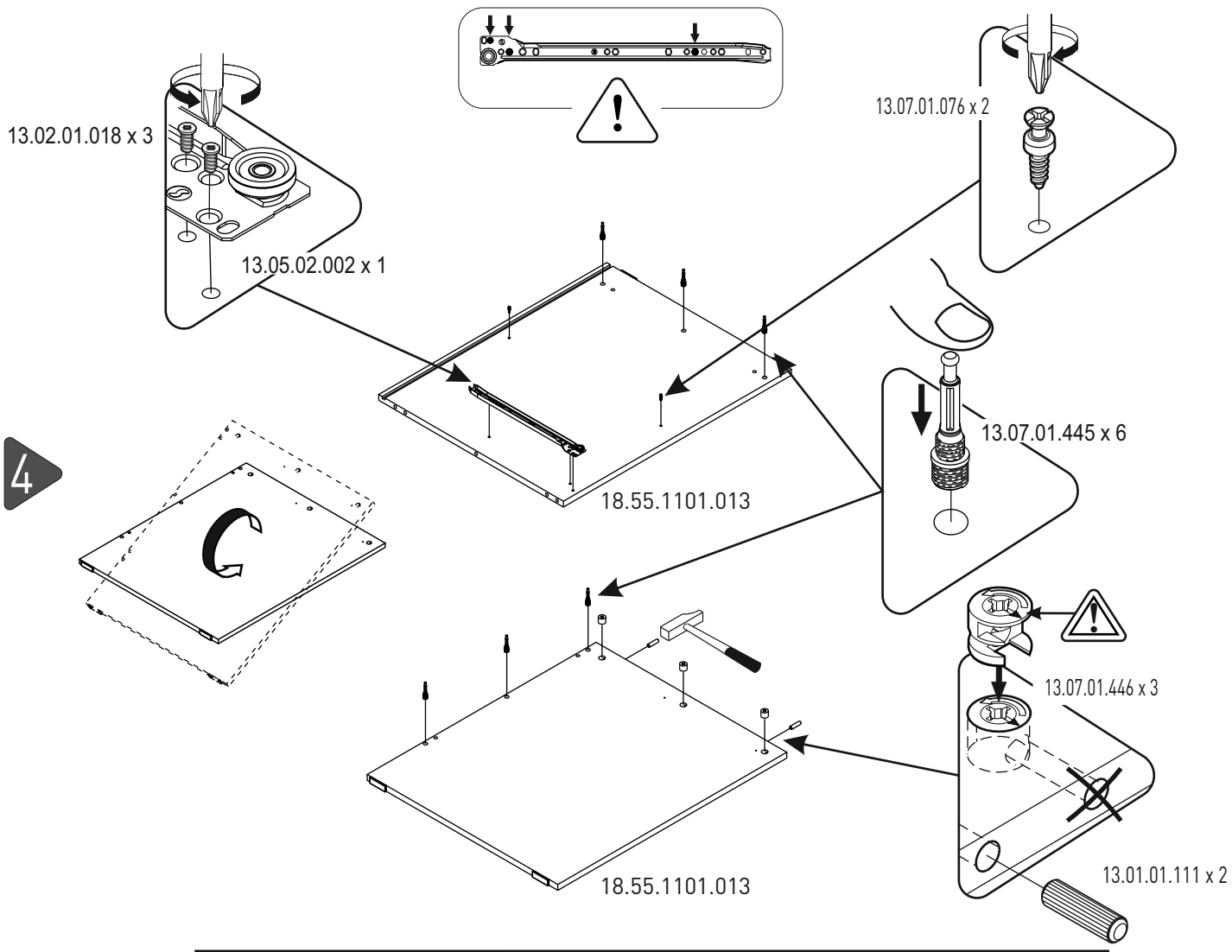
13.07.01.446 x 6

13.01.01.111 x 4

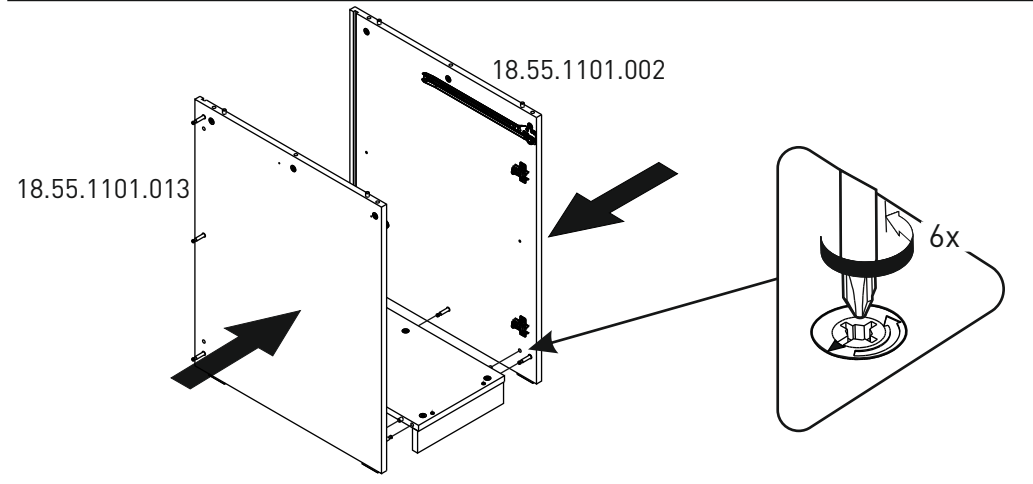


18.55.1101.016

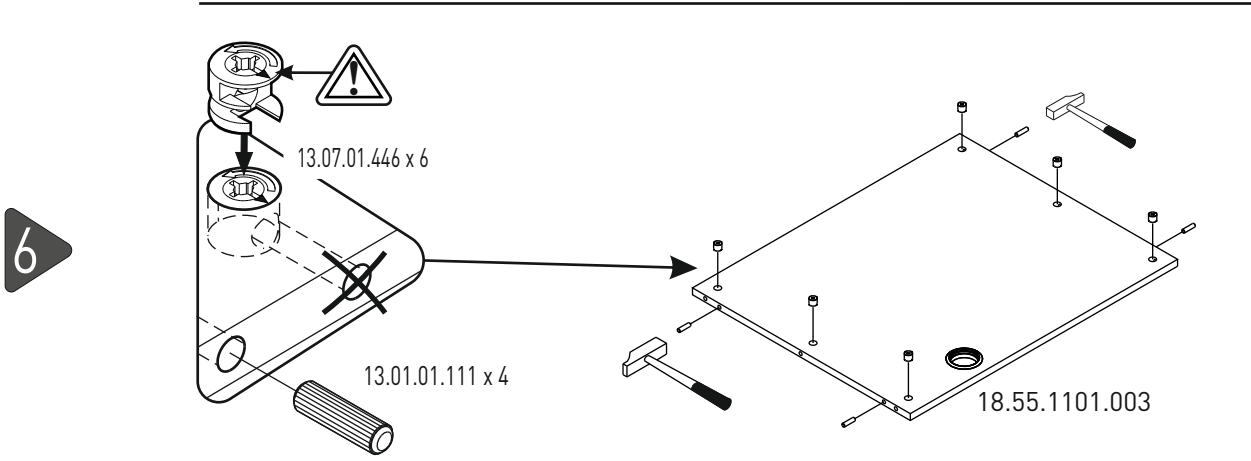




4

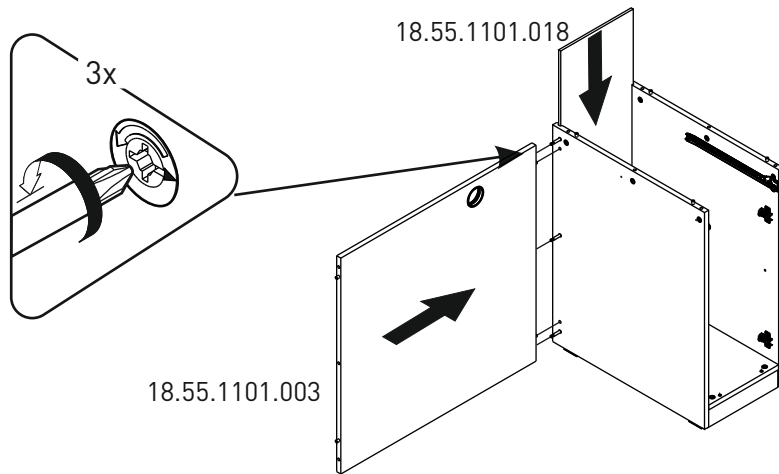


5

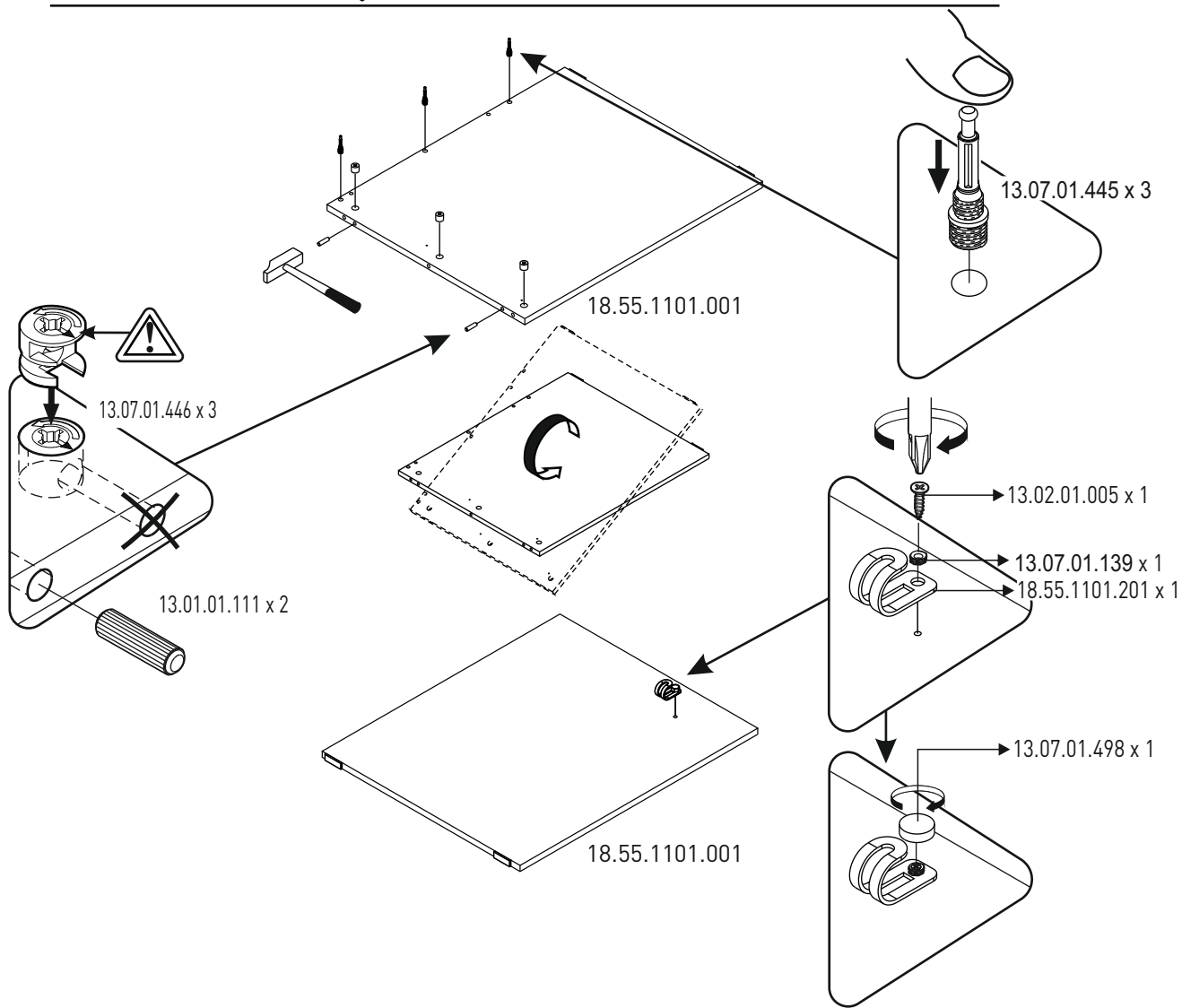


6

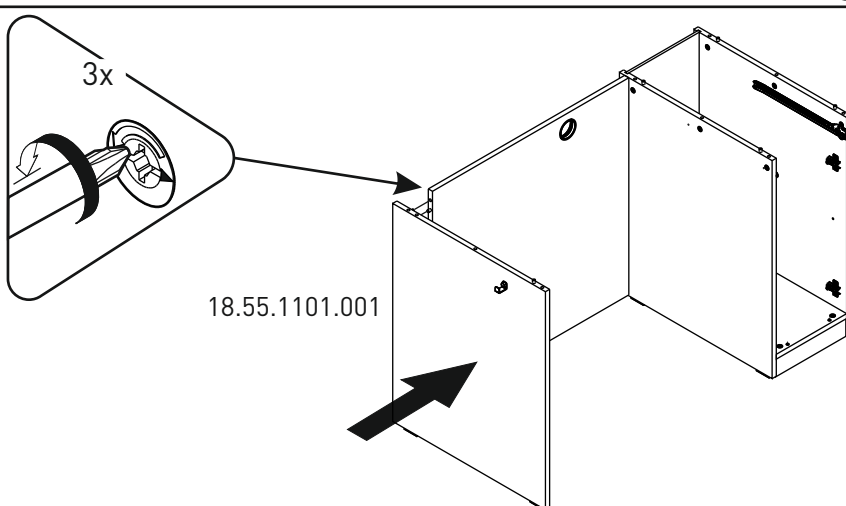
7



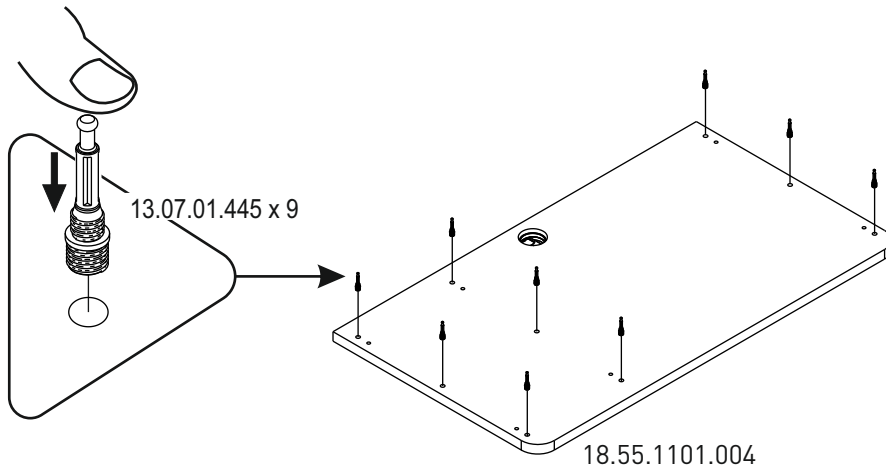
8



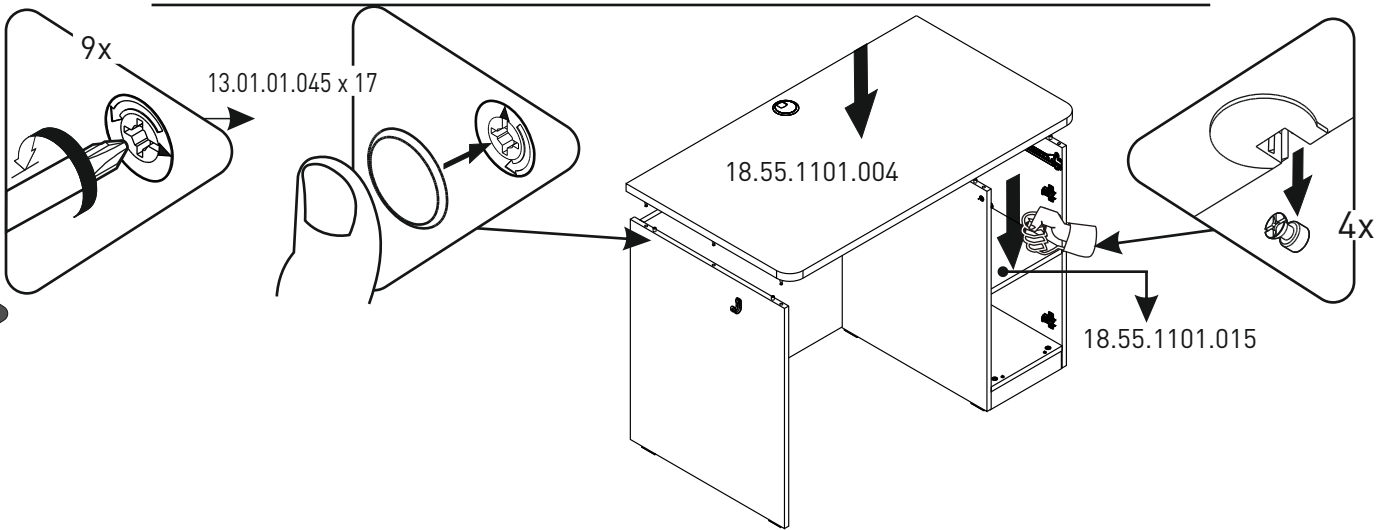
9



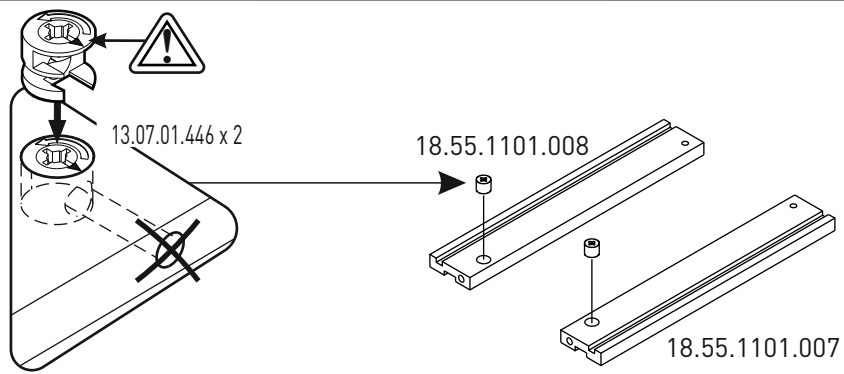
10



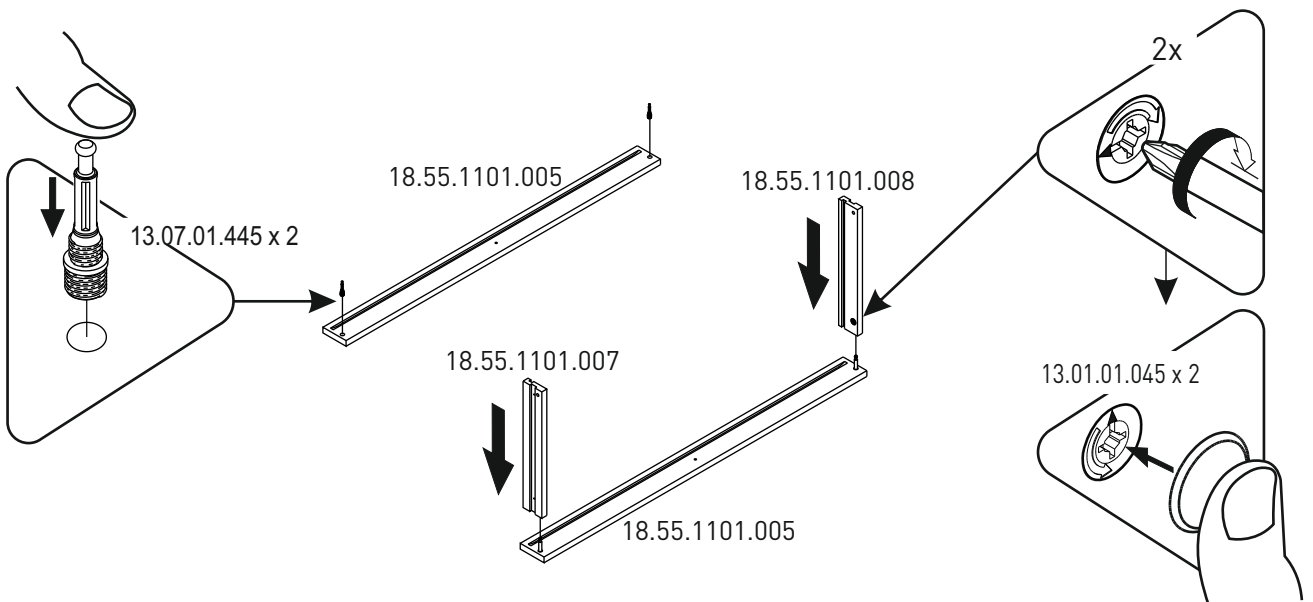
11



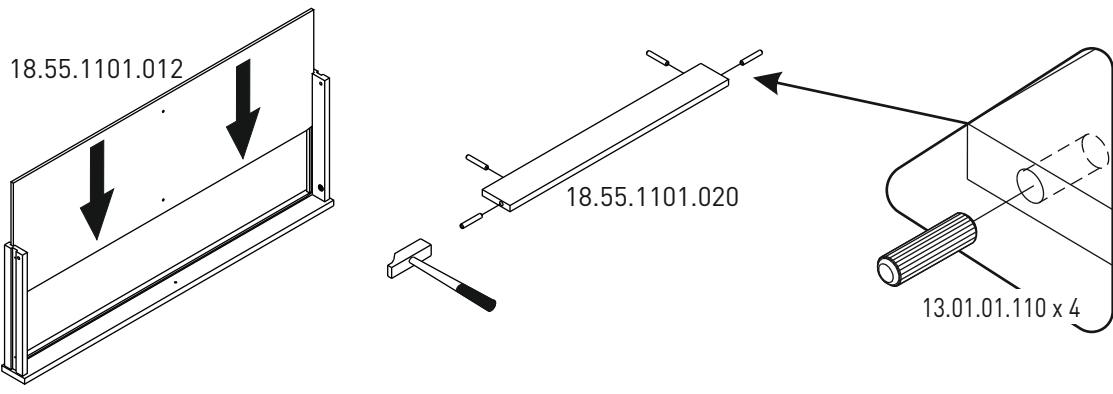
12



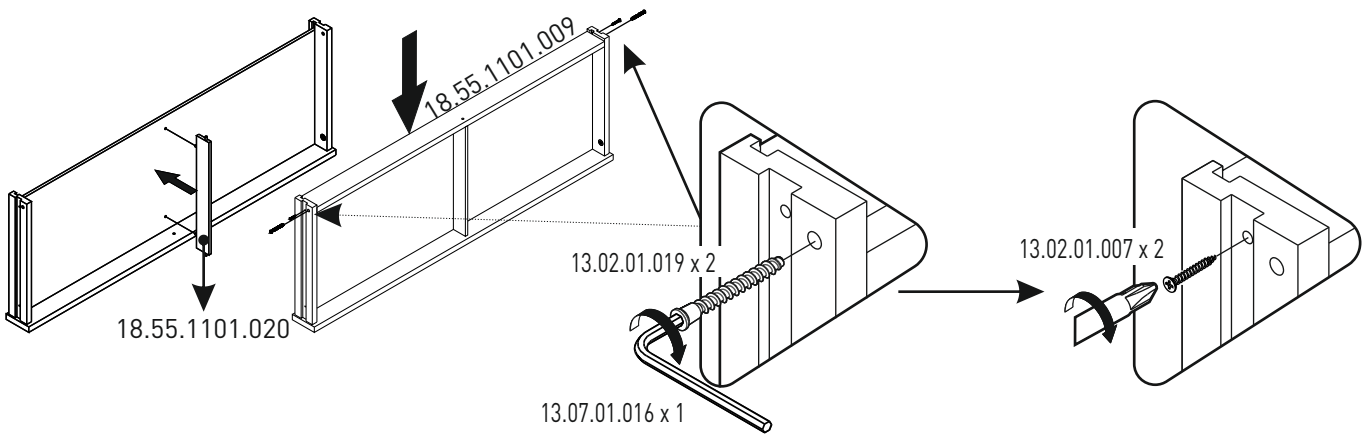
13



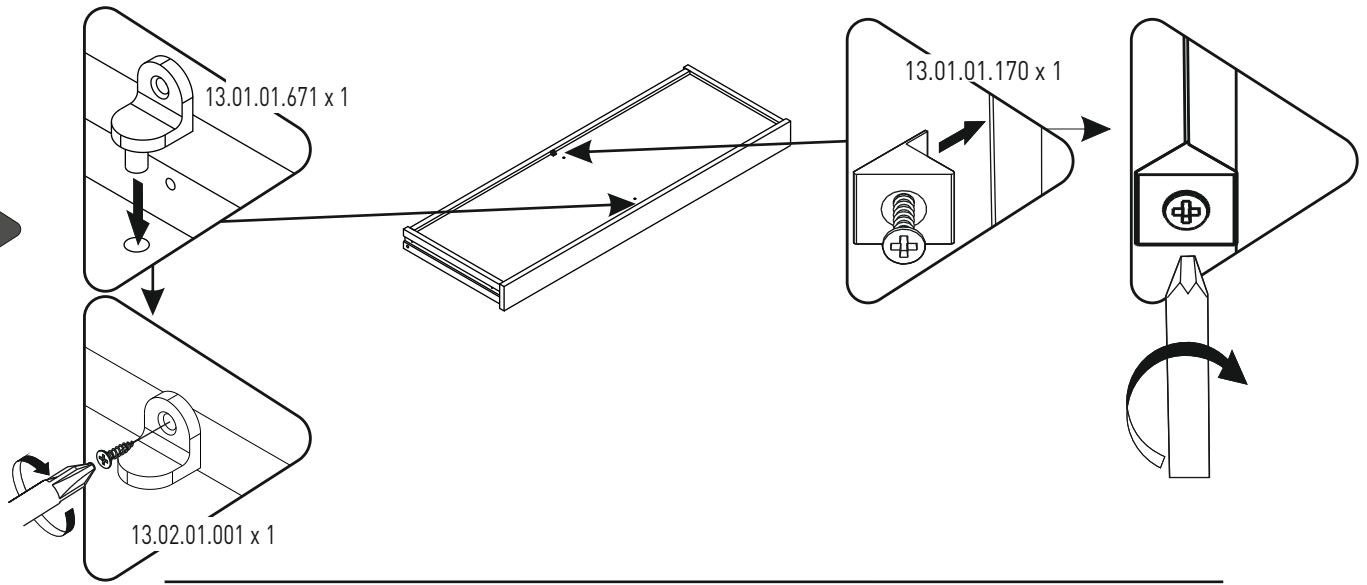
14



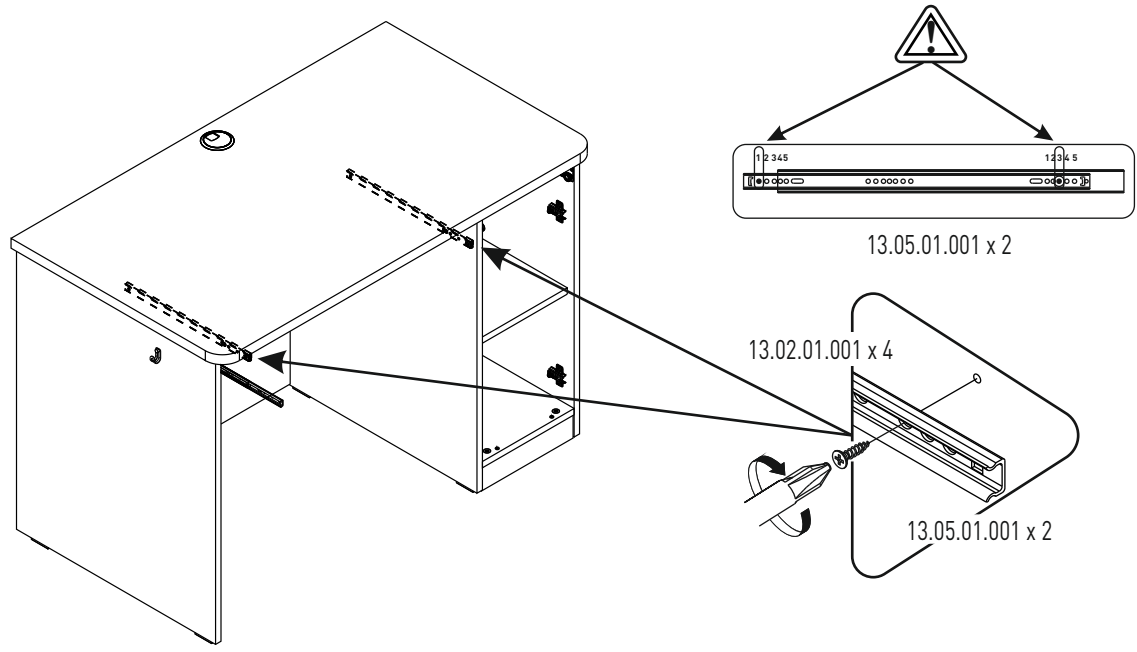
15



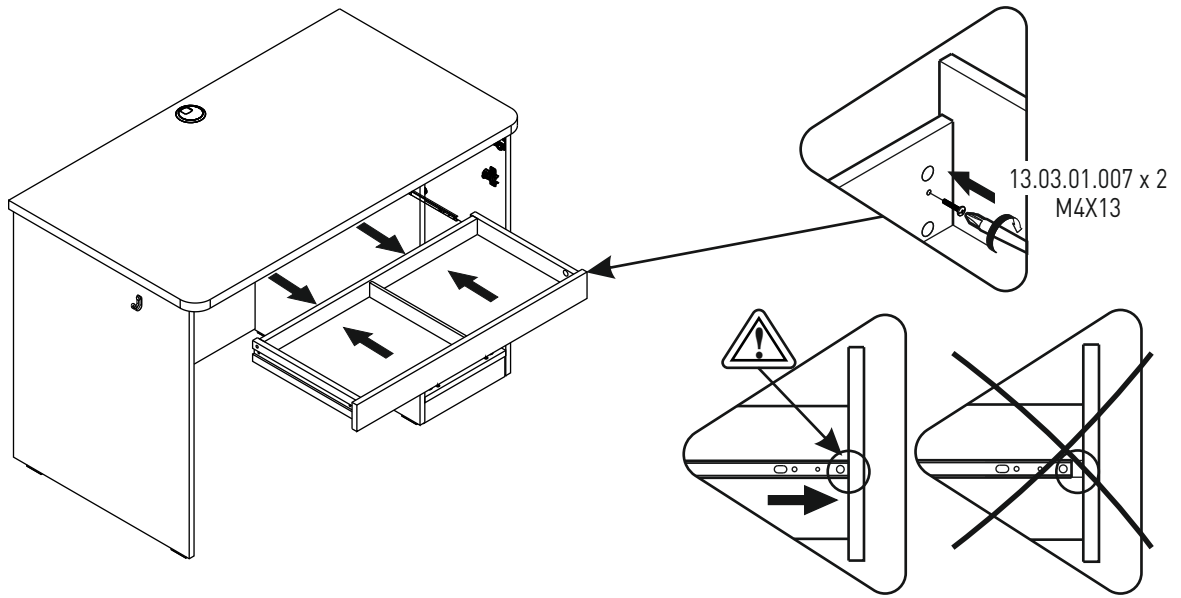
16



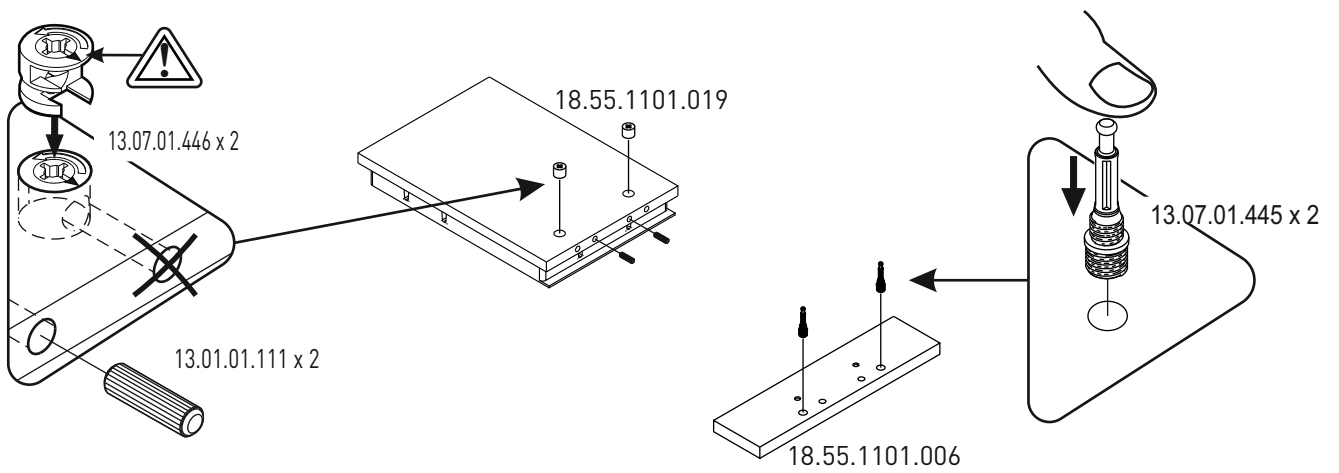
17



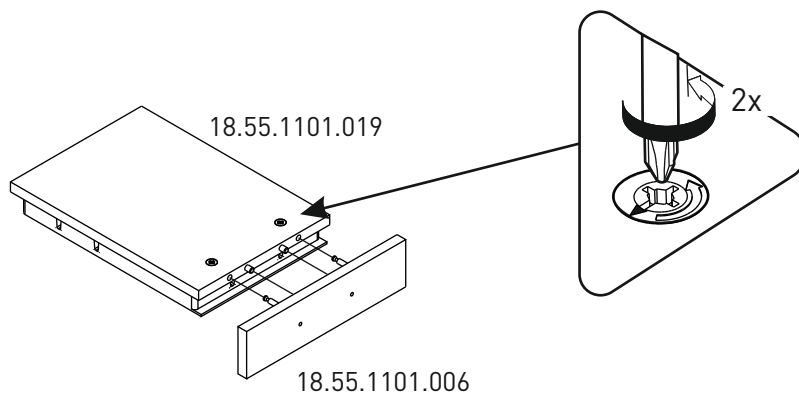
18



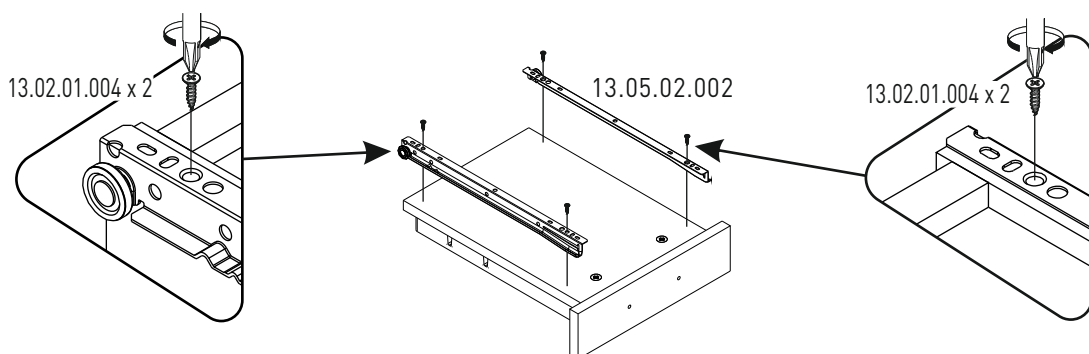
19



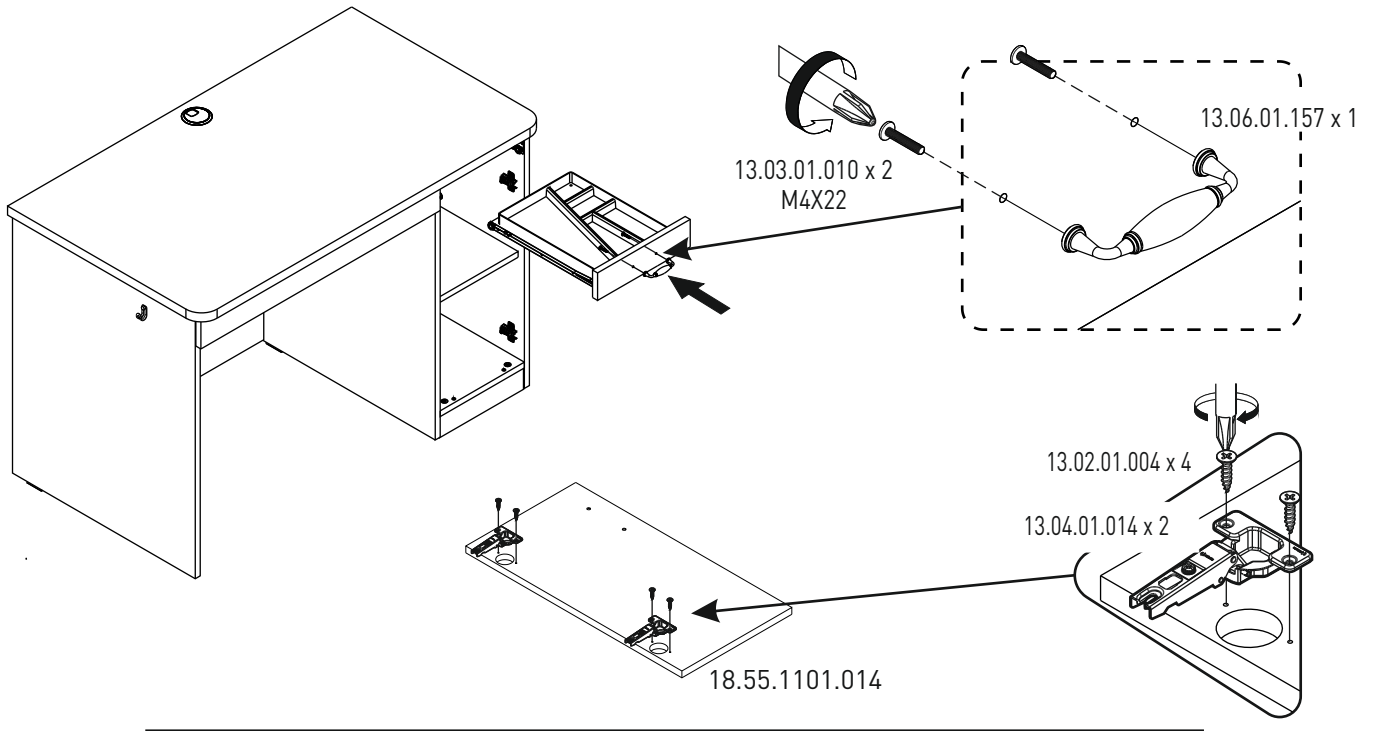
20



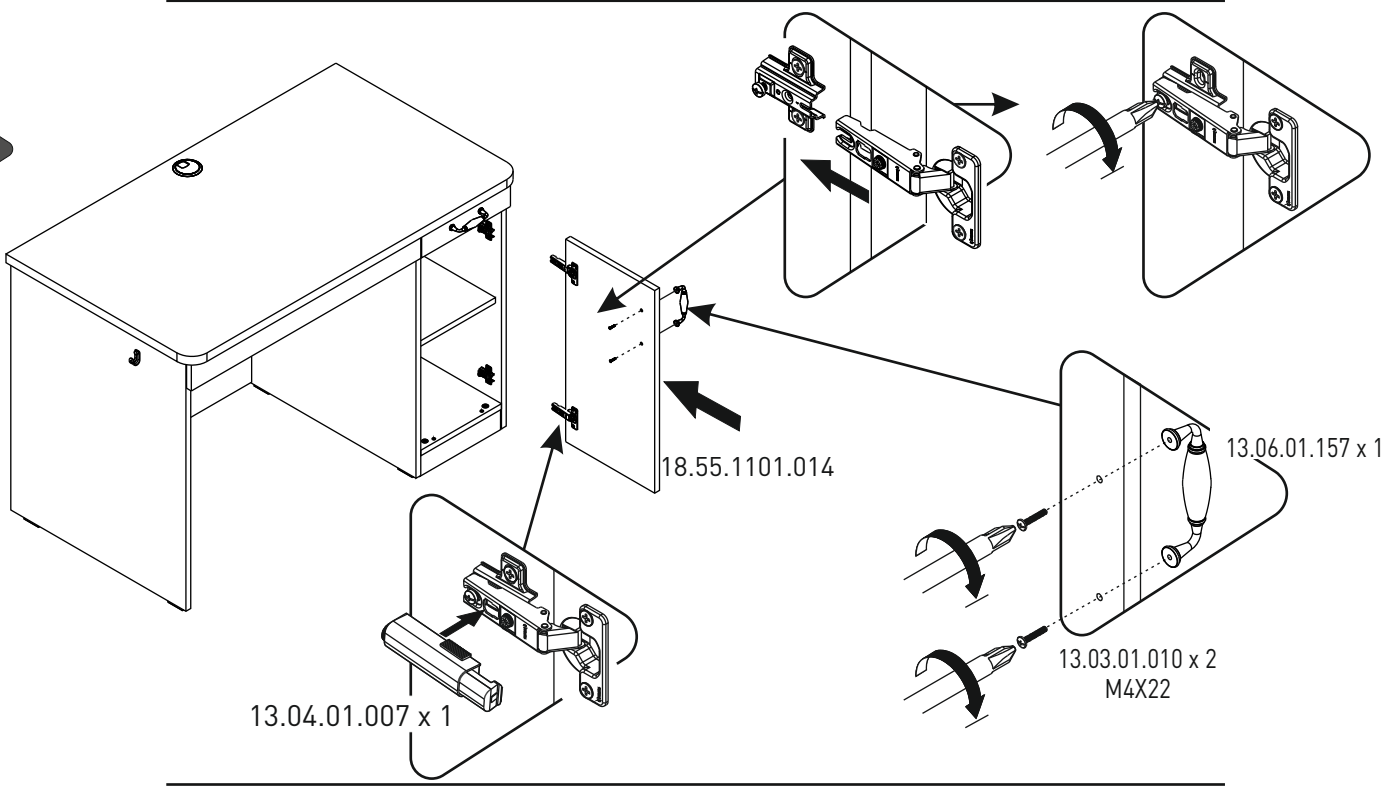
21



22



23



i

