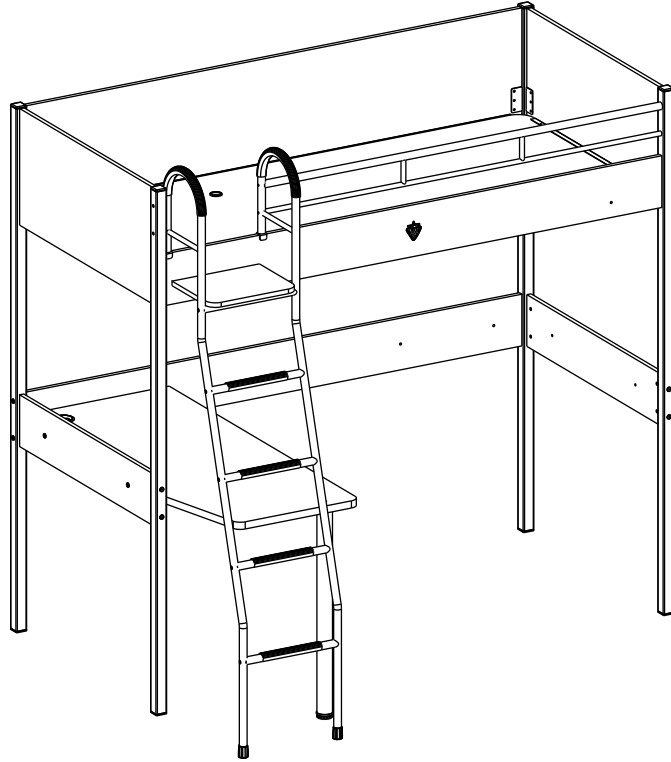
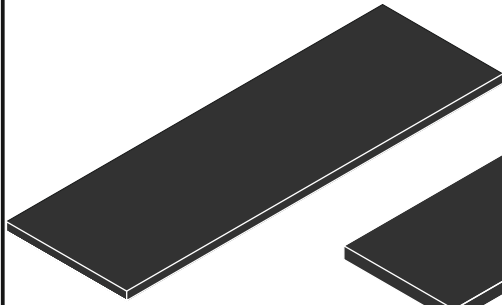
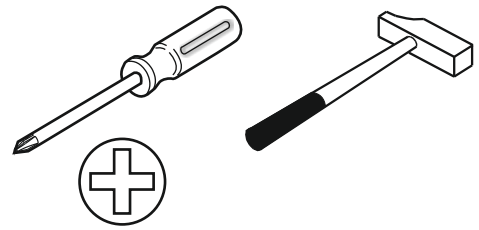
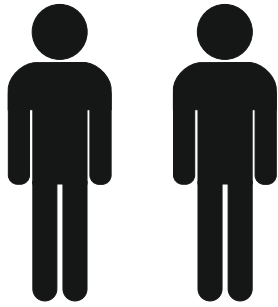
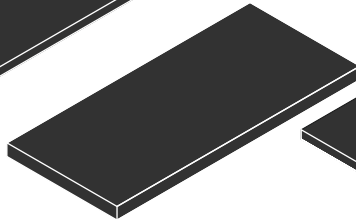


20.54.1402.00

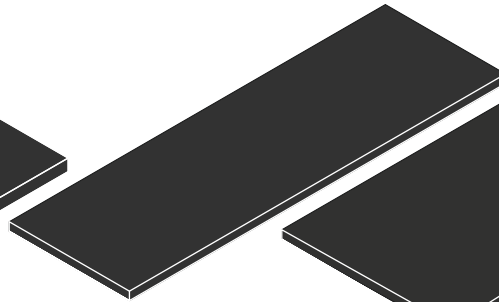




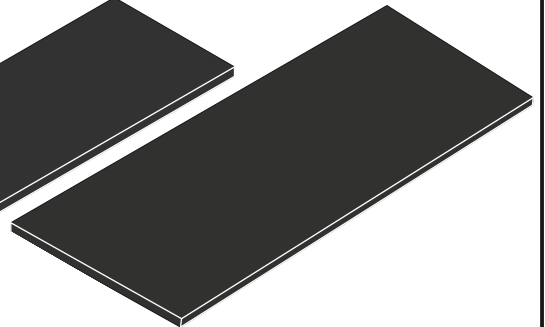
4 / 1



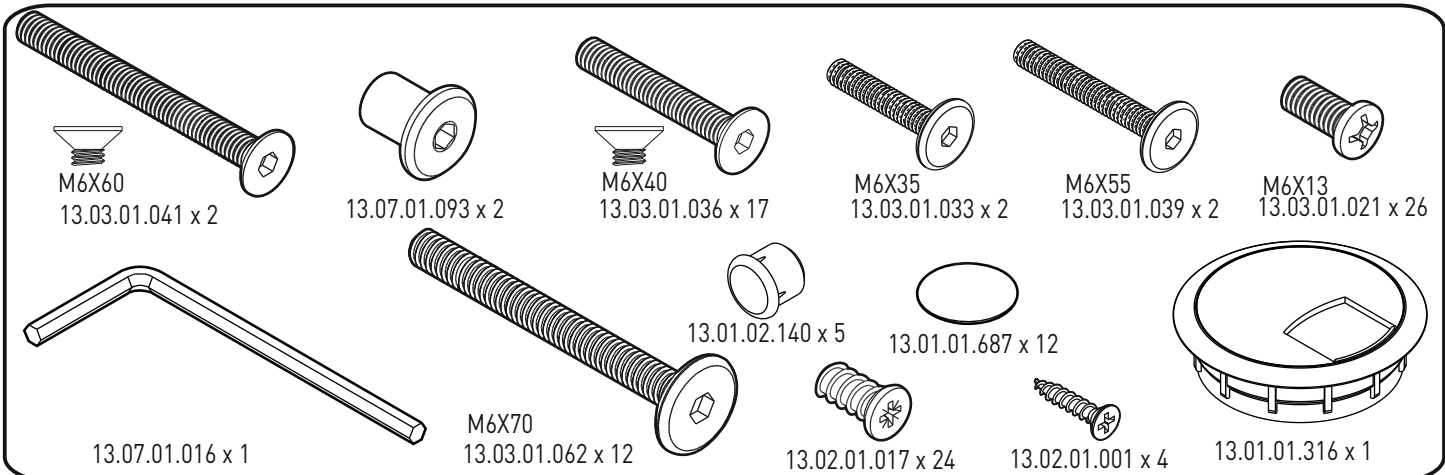
4 / 2



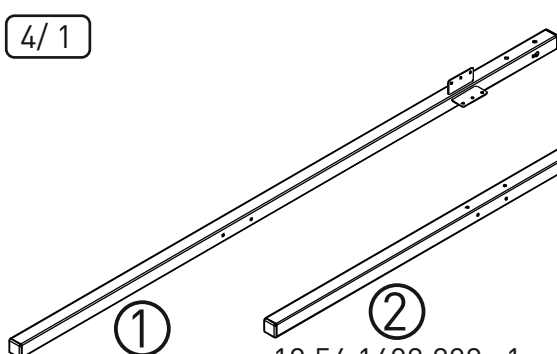
4 / 3



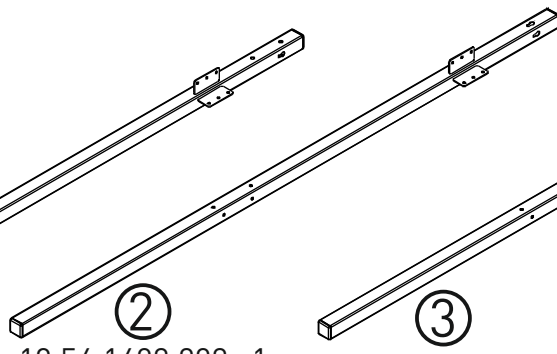
4 / 4



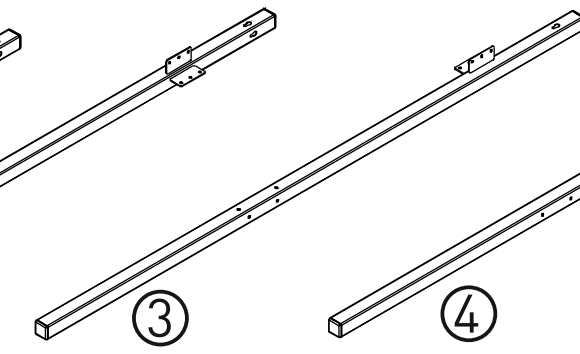
4 / 1



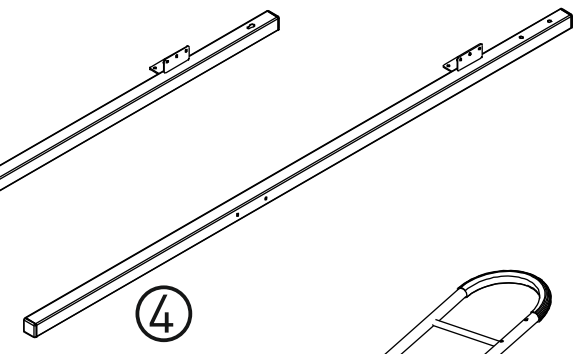
18.54.1402.201 x 1



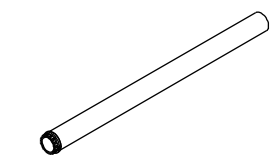
18.54.1402.202 x 1



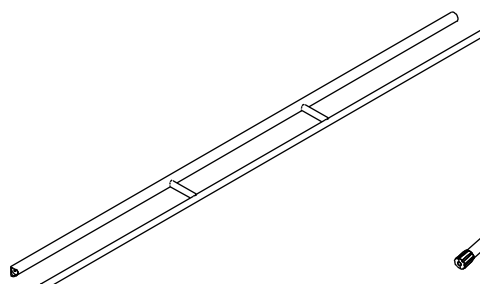
18.54.1402.203 x 1



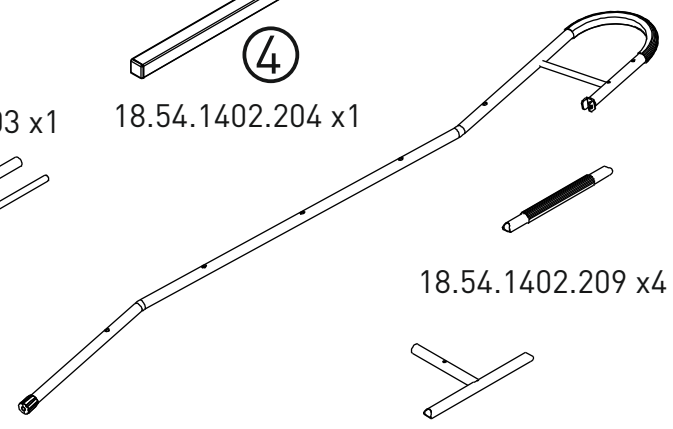
18.54.1402.204 x 1



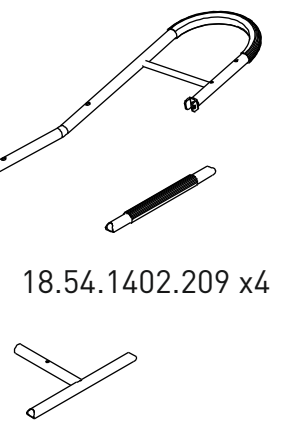
18.54.1402.207 x 1



18.54.1402.211 x 1

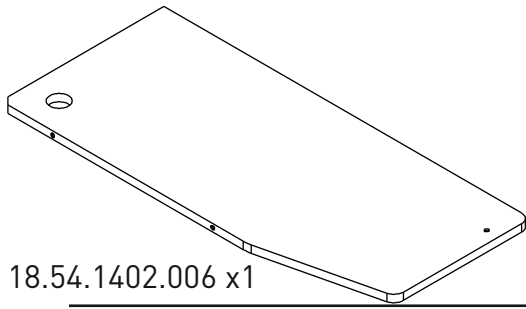


18.54.1402.208 x 2

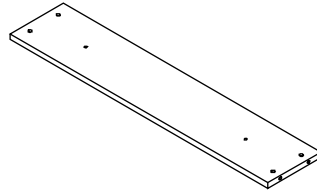


18.54.1402.209 x 4

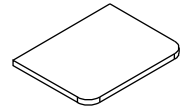
4/2



18.54.1402.006 x1

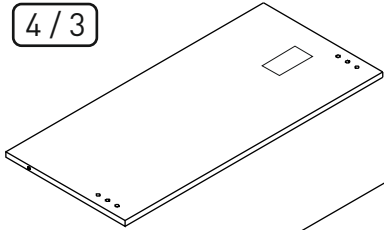


18.54.1402.005 x2

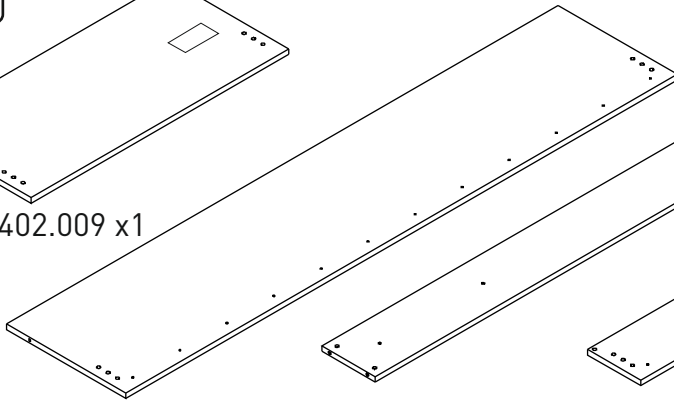


18.54.1402.007 x1

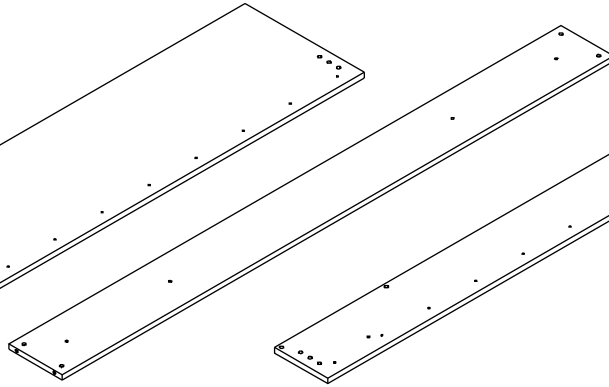
4/3



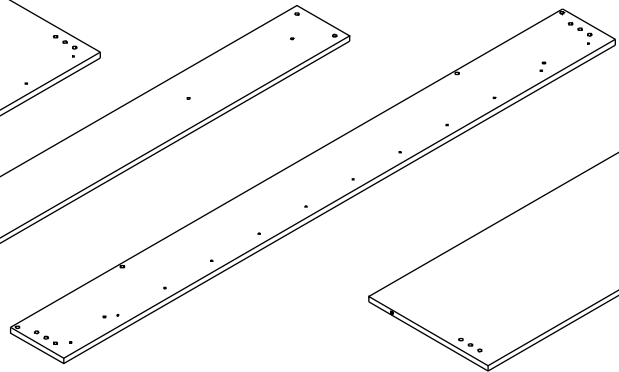
18.54.1402.009 x1



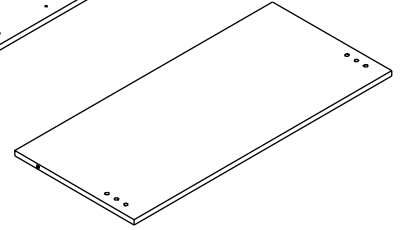
18.54.1402.003 x1



18.54.1402.004 x1

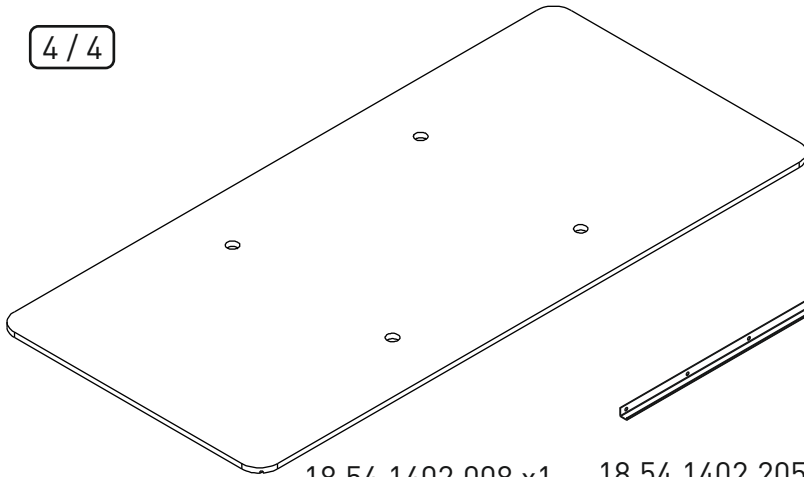


18.54.1402.002 x1

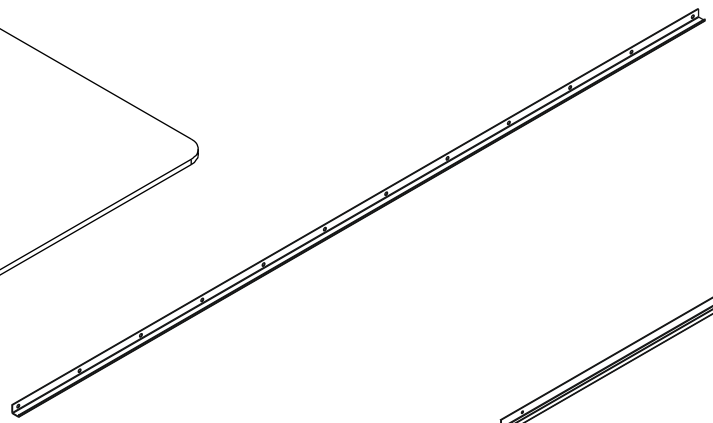


18.54.1402.001 x1

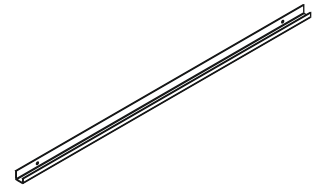
4/4



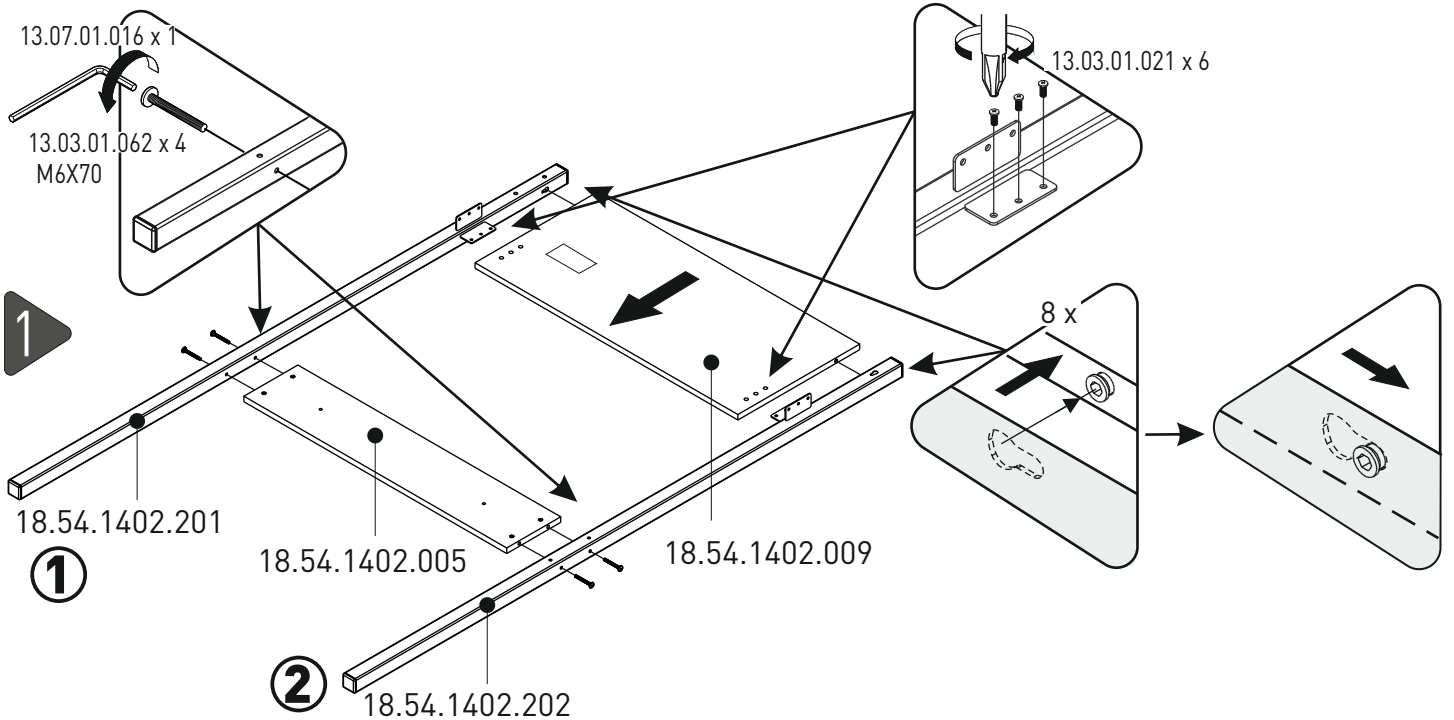
18.54.1402.008 x1

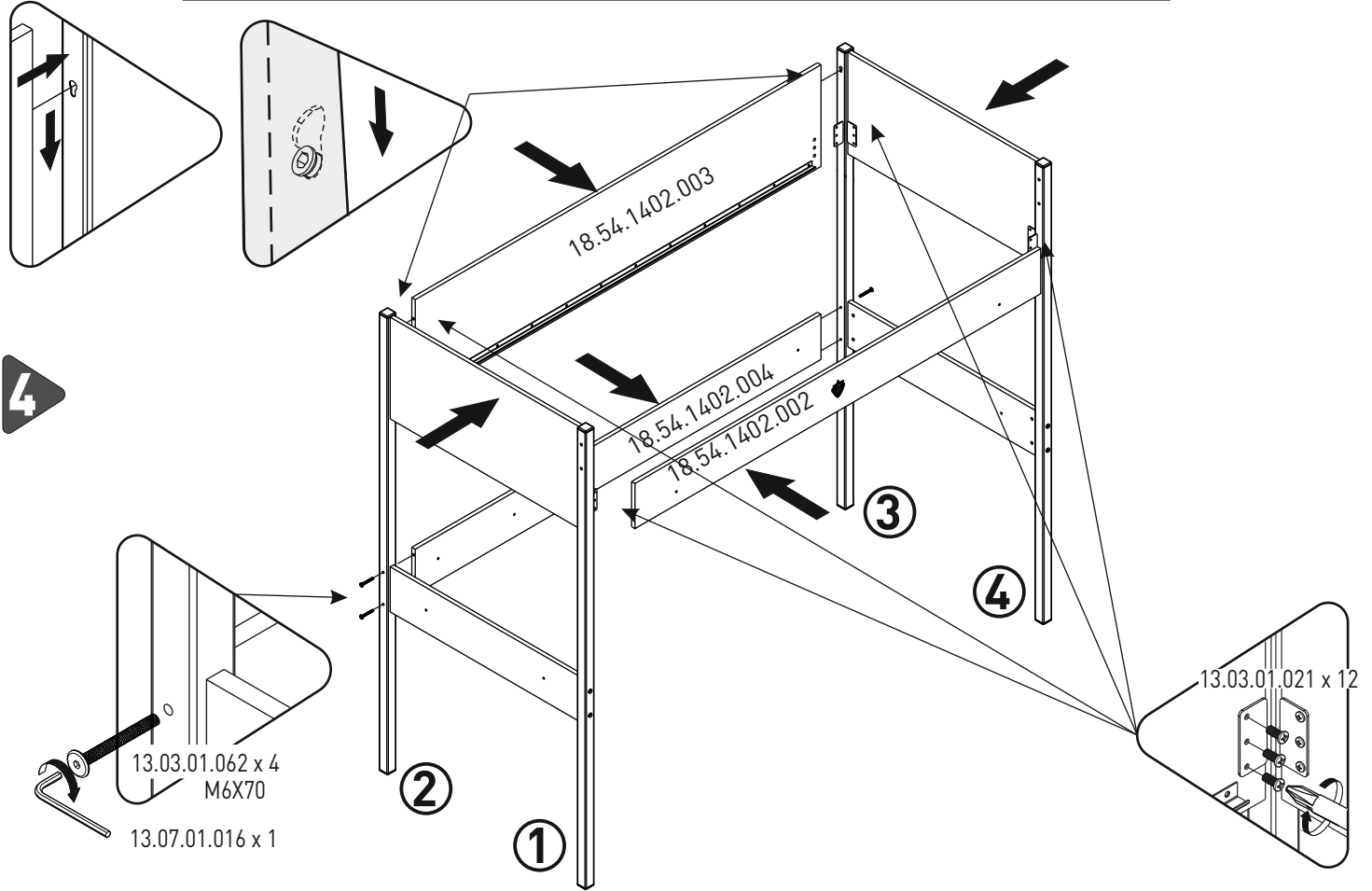
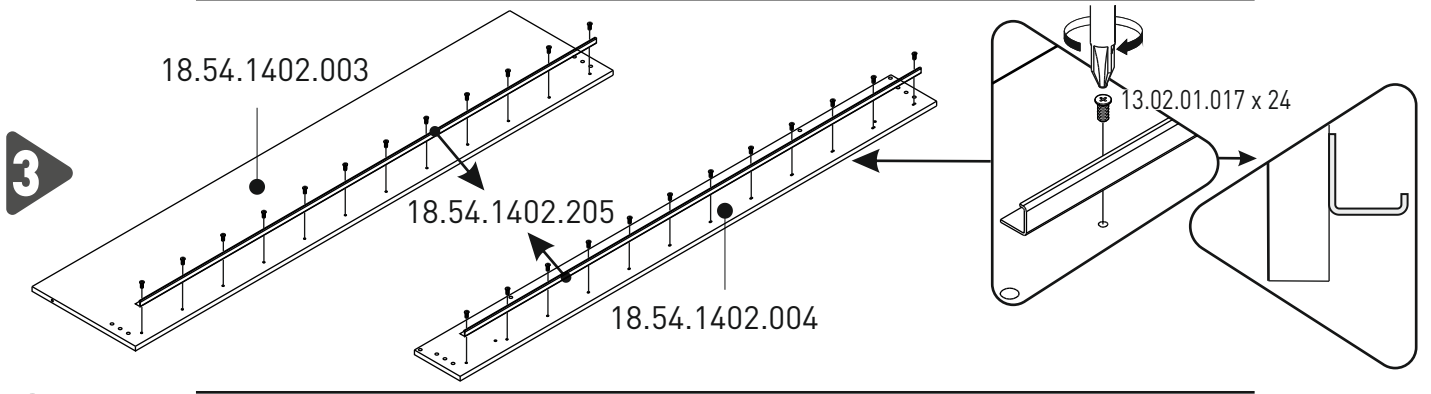
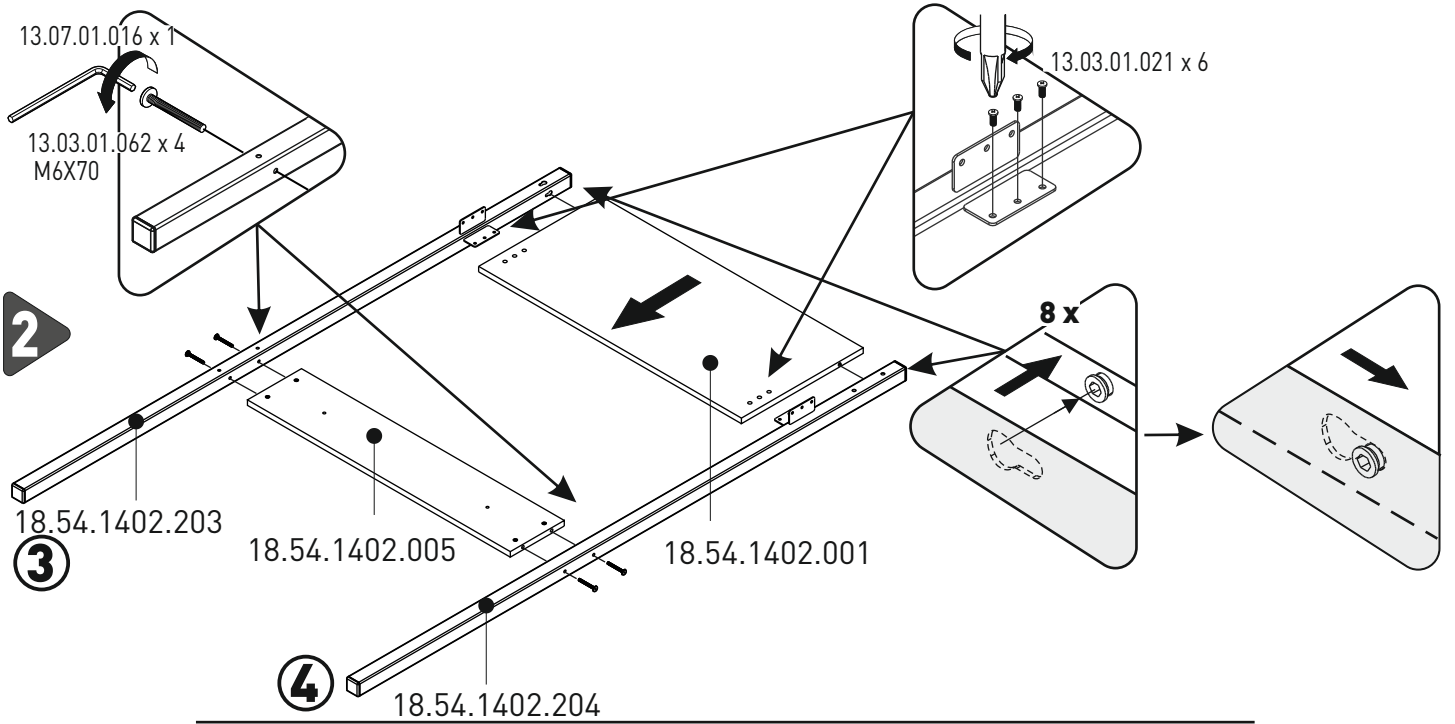


18.54.1402.205 x2

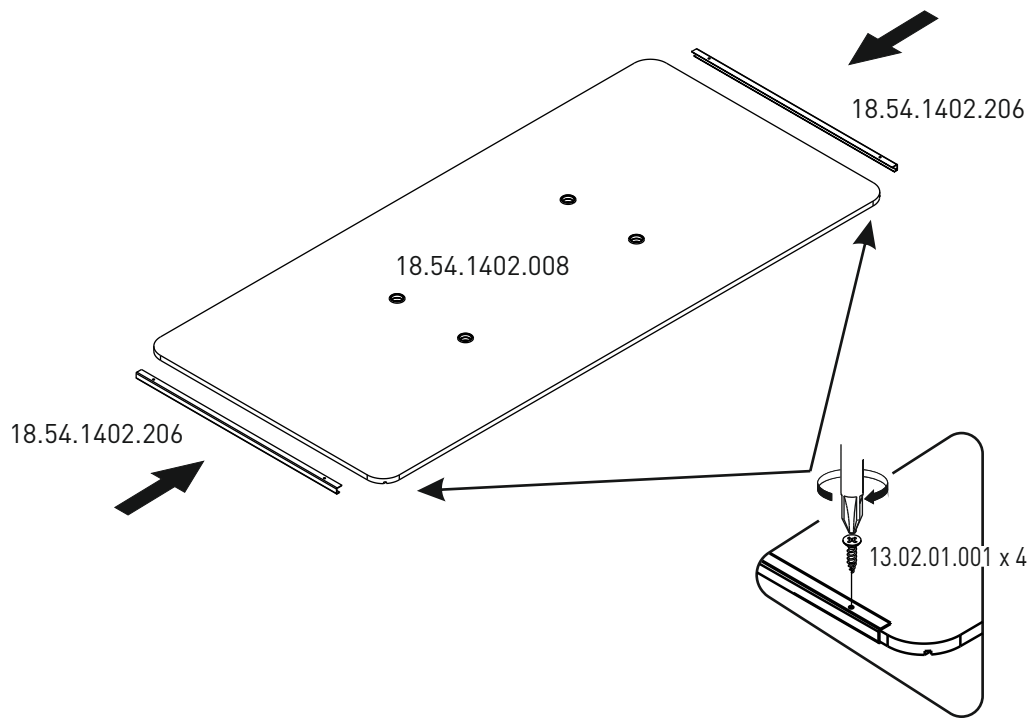


18.54.1402.206 x2

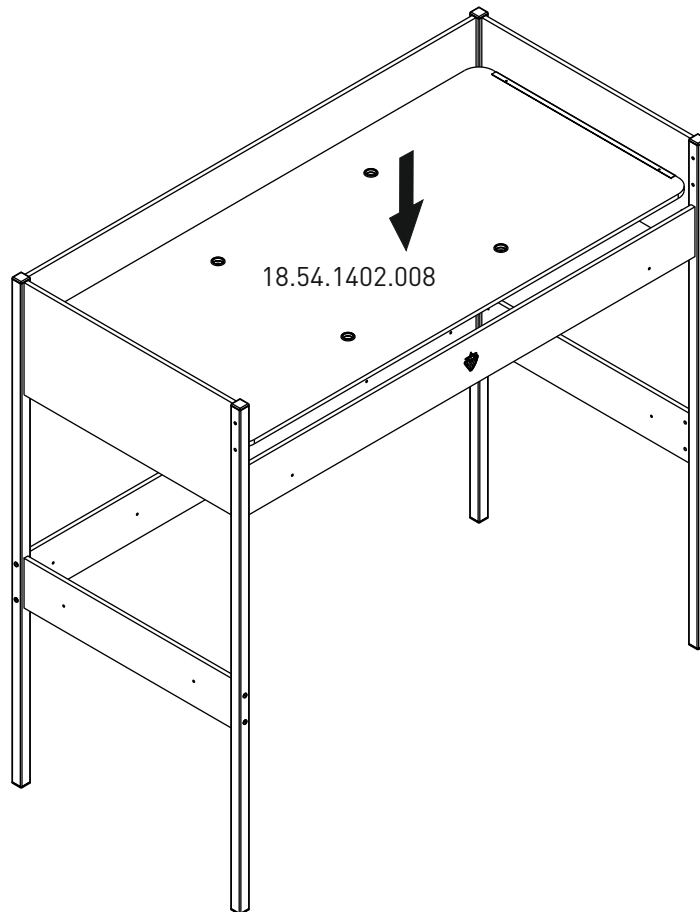


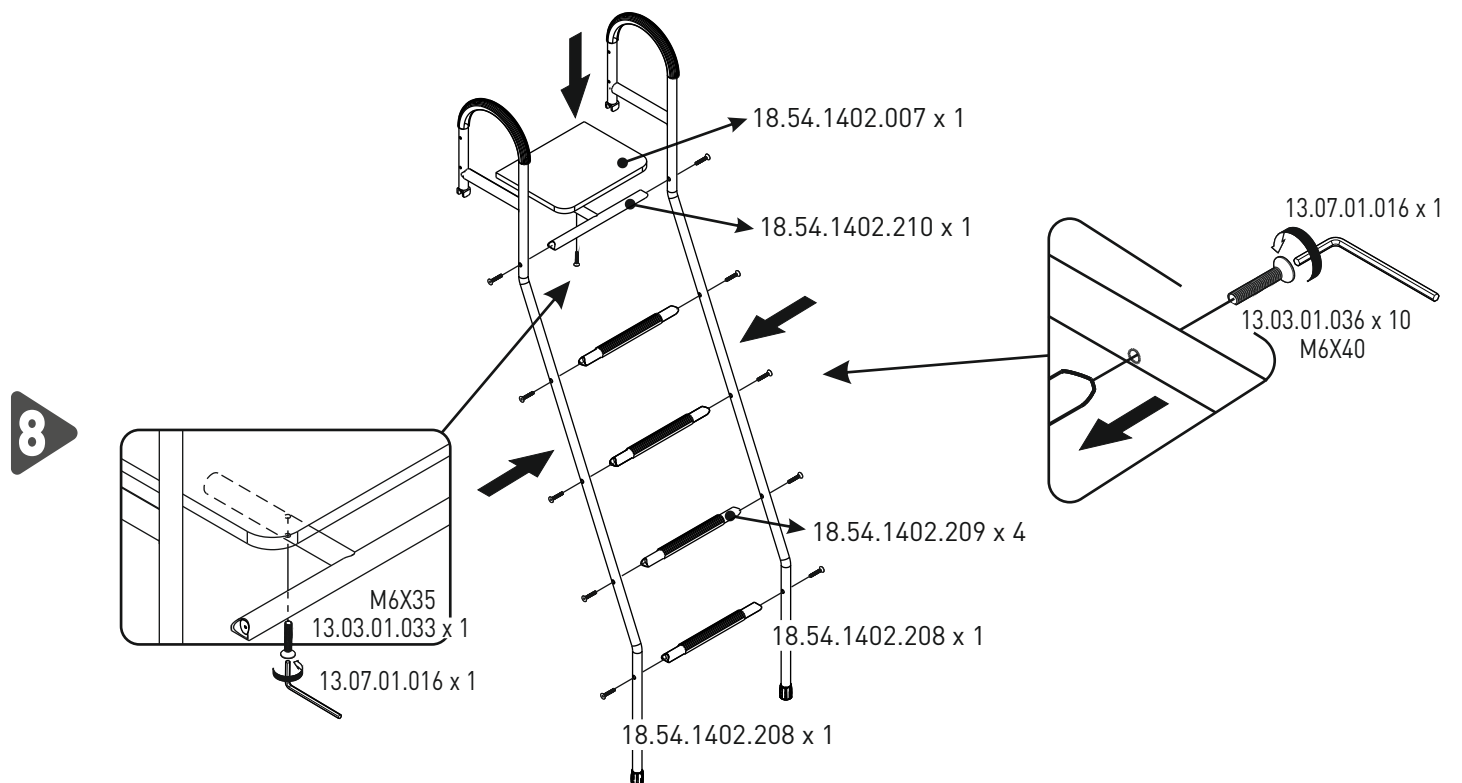
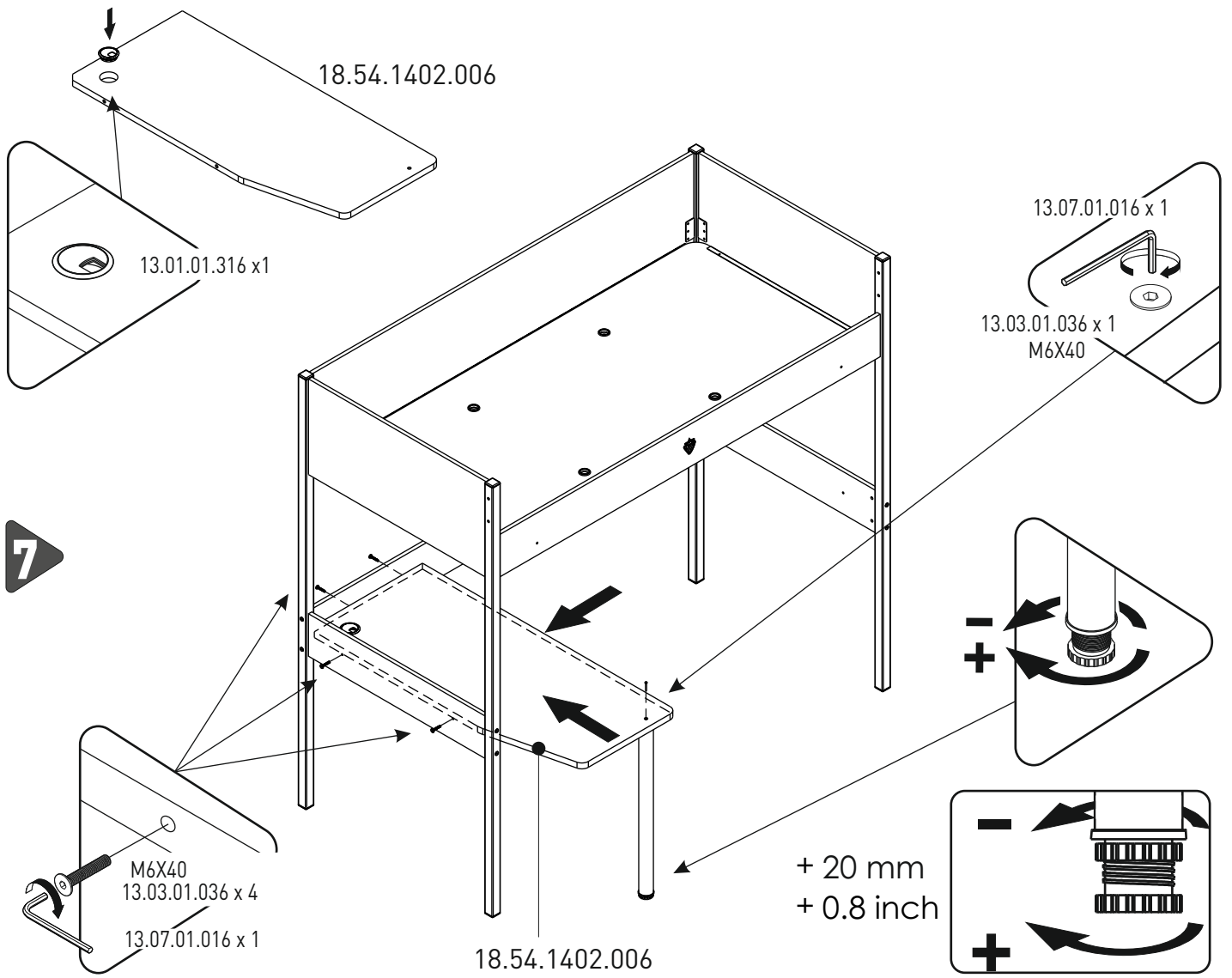


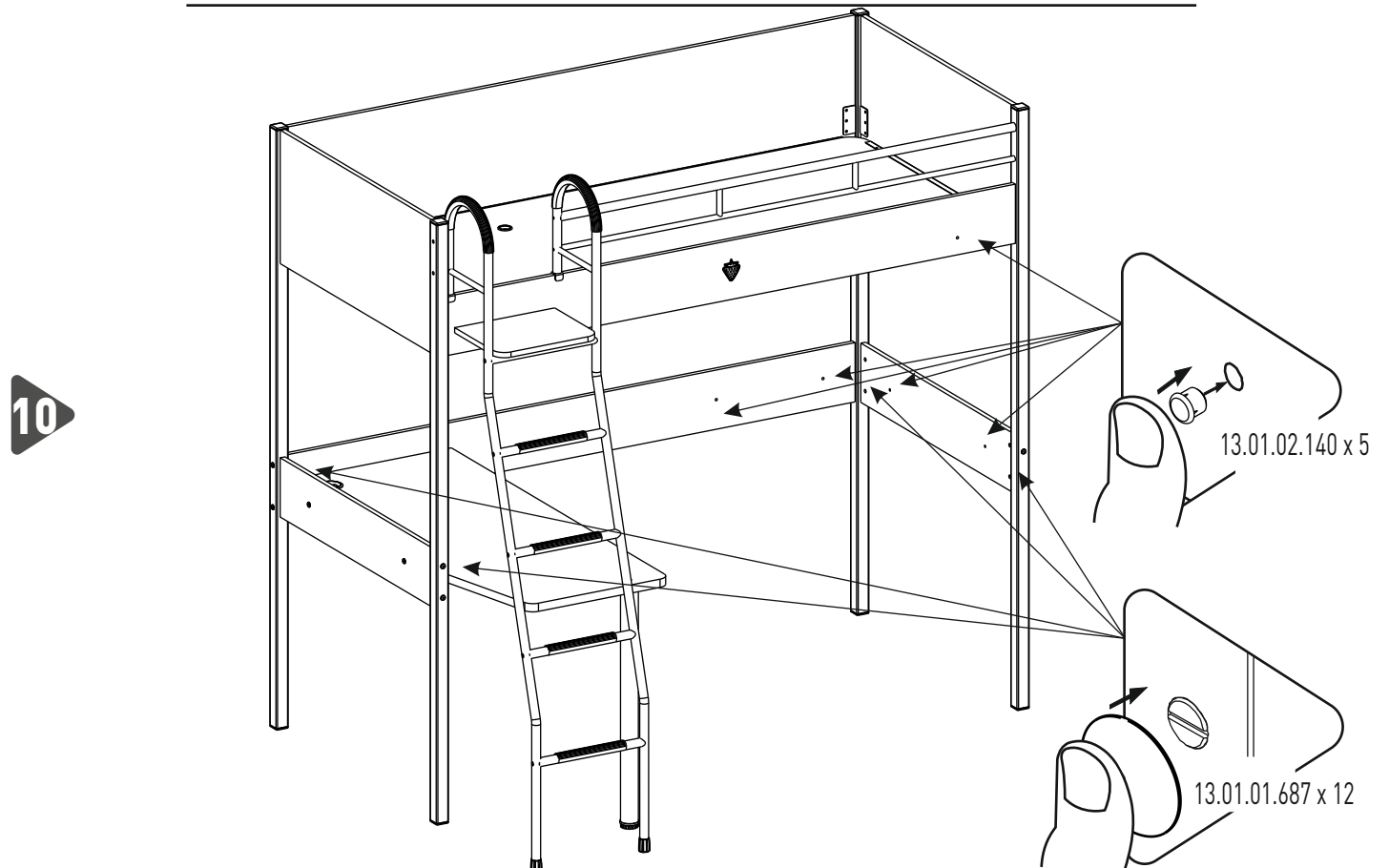
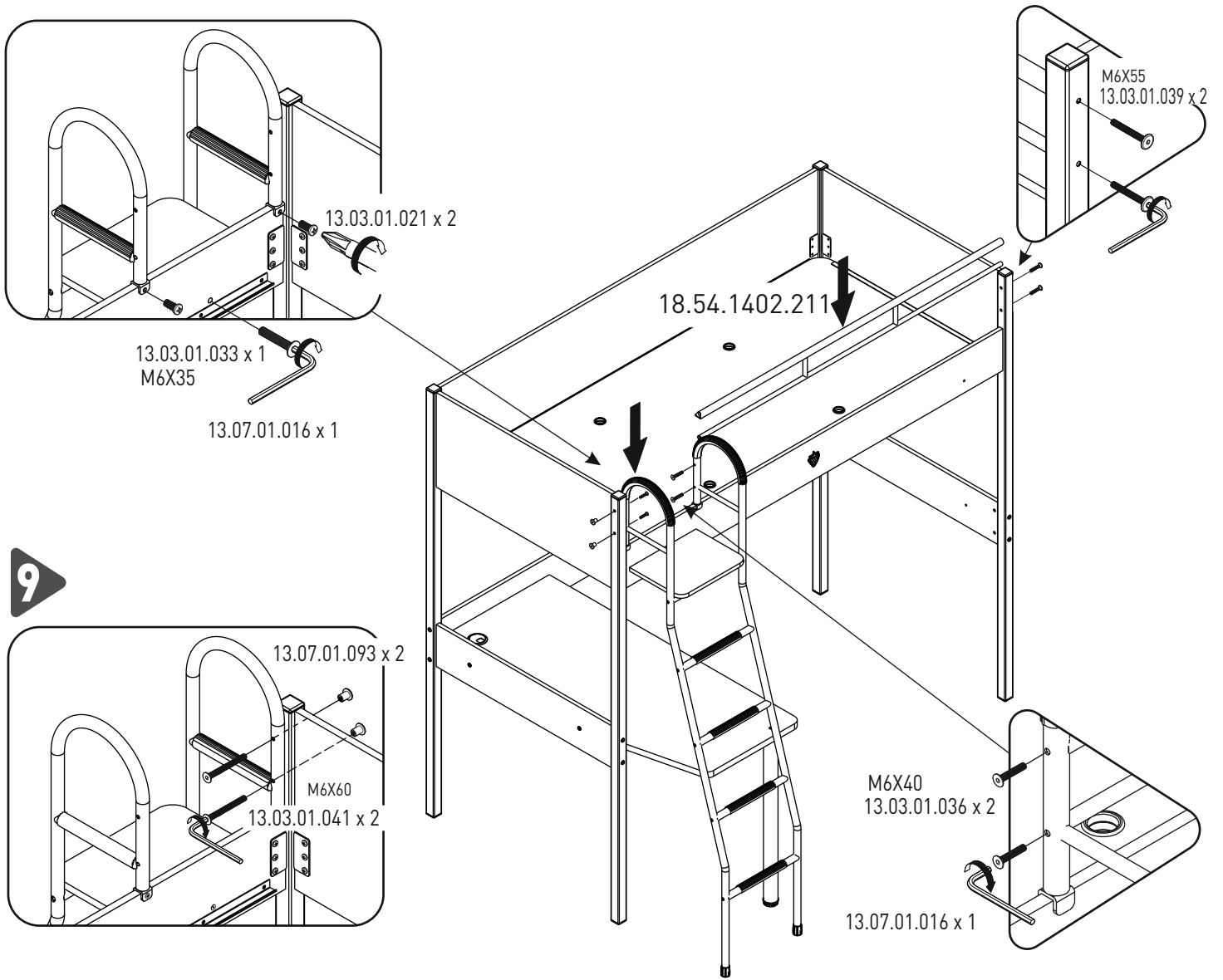
5

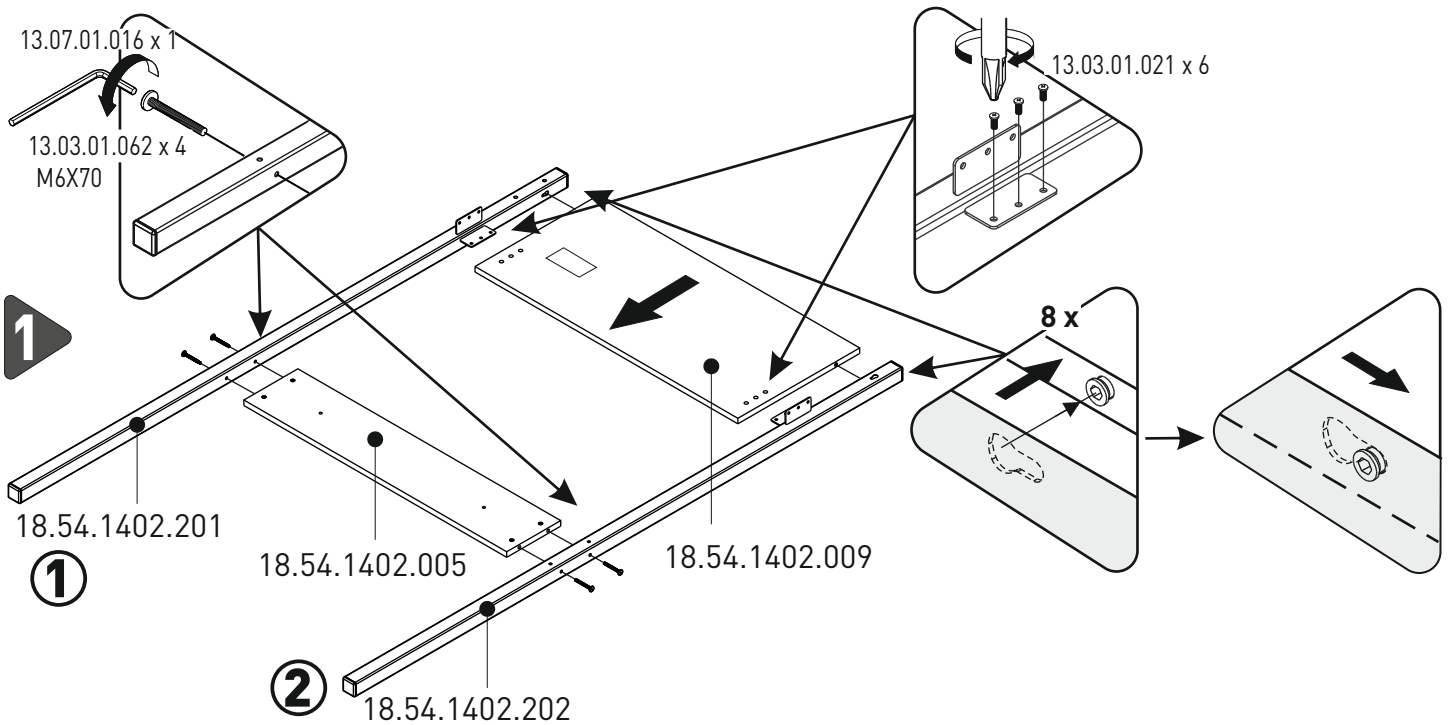
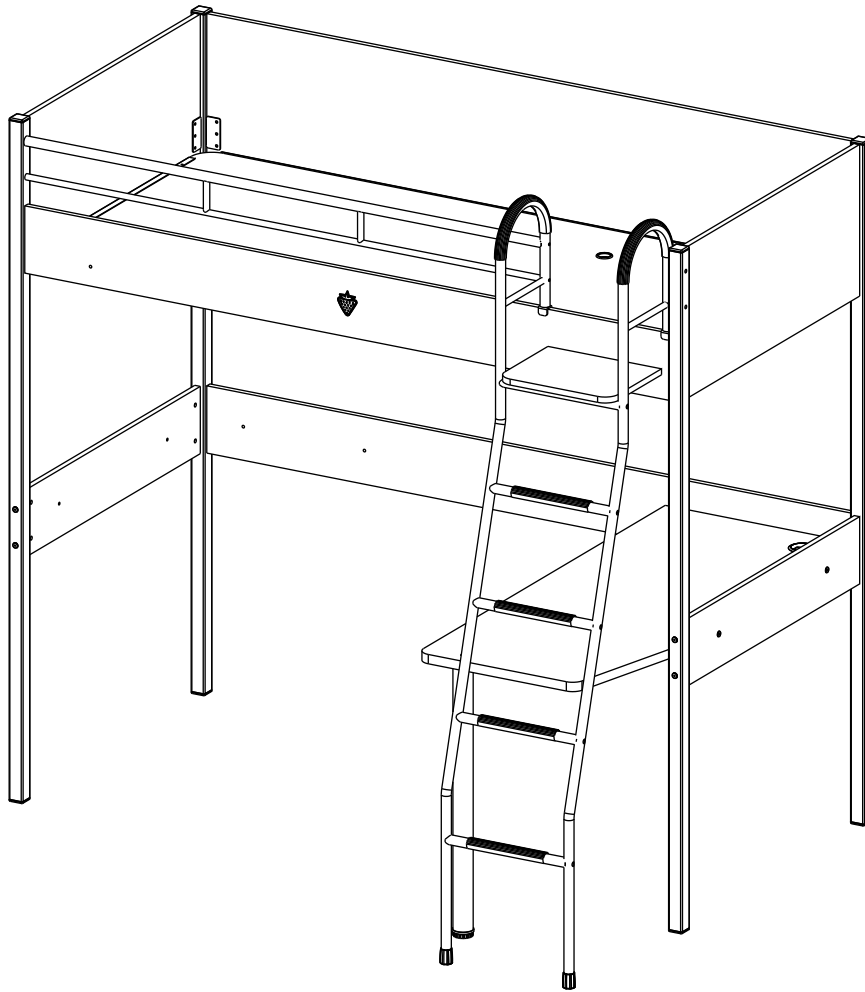


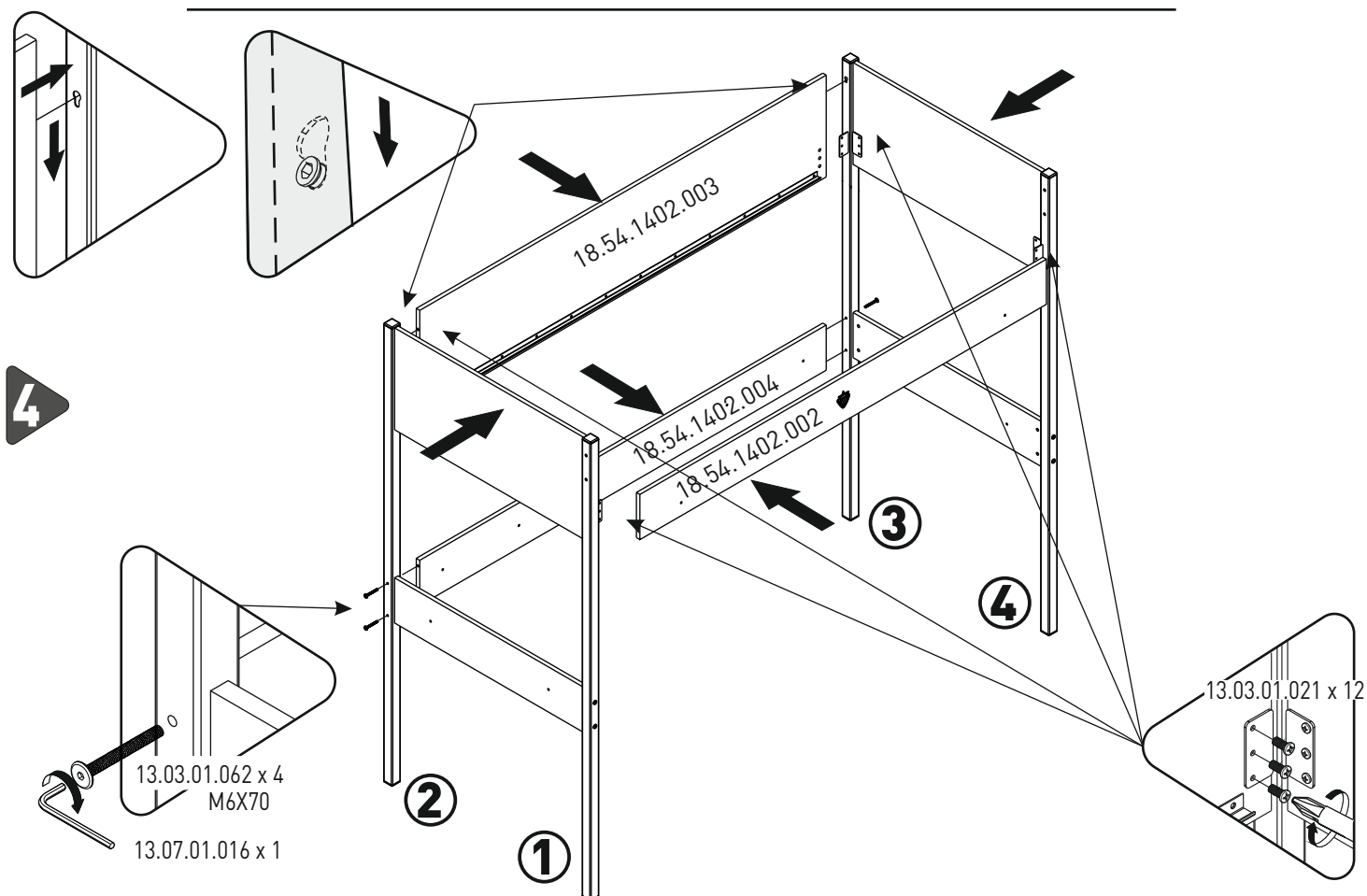
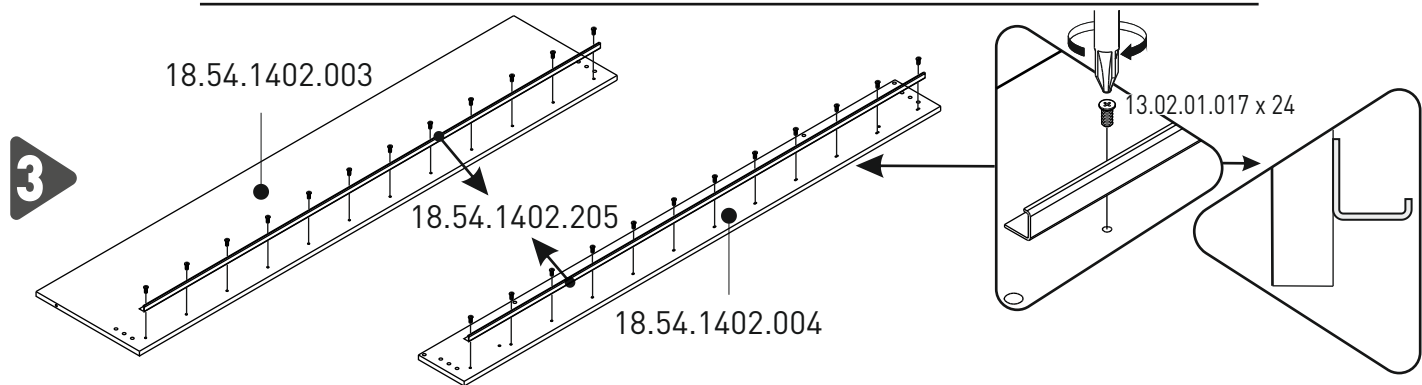
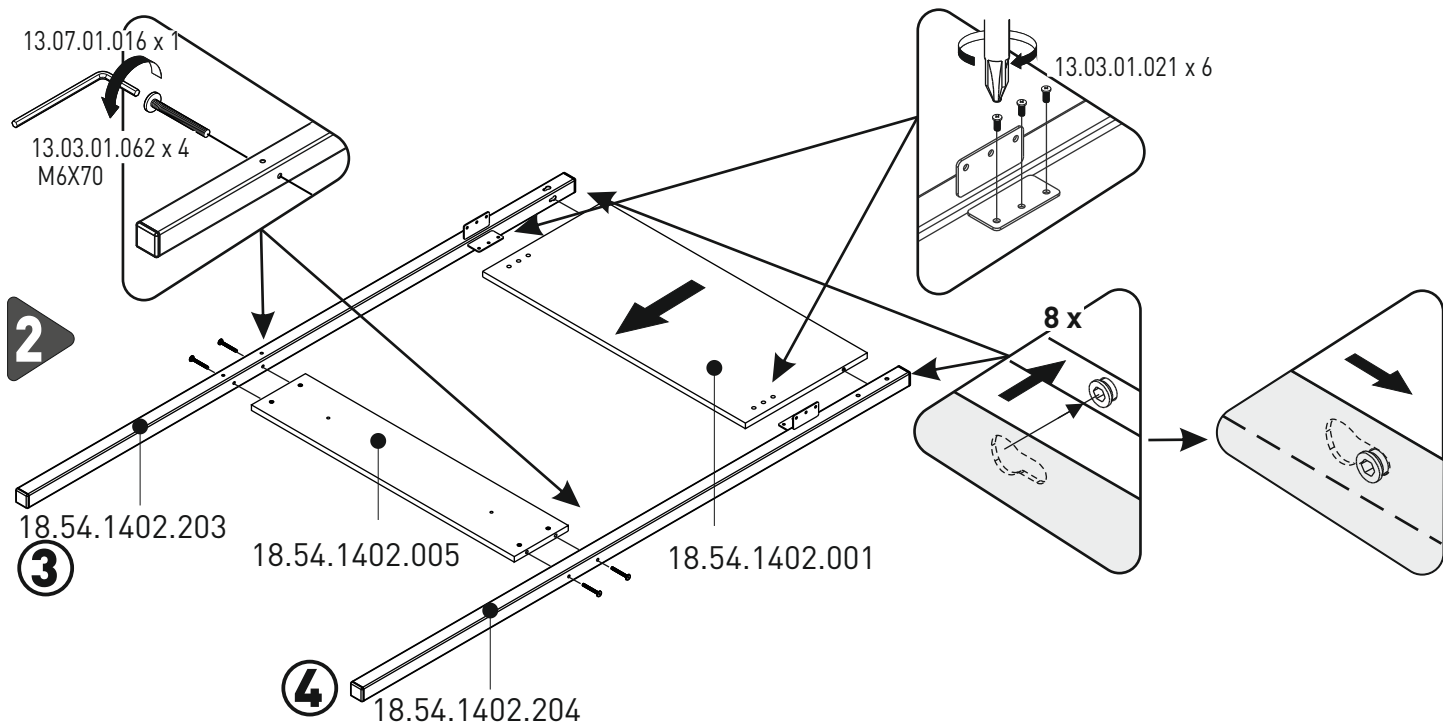
6



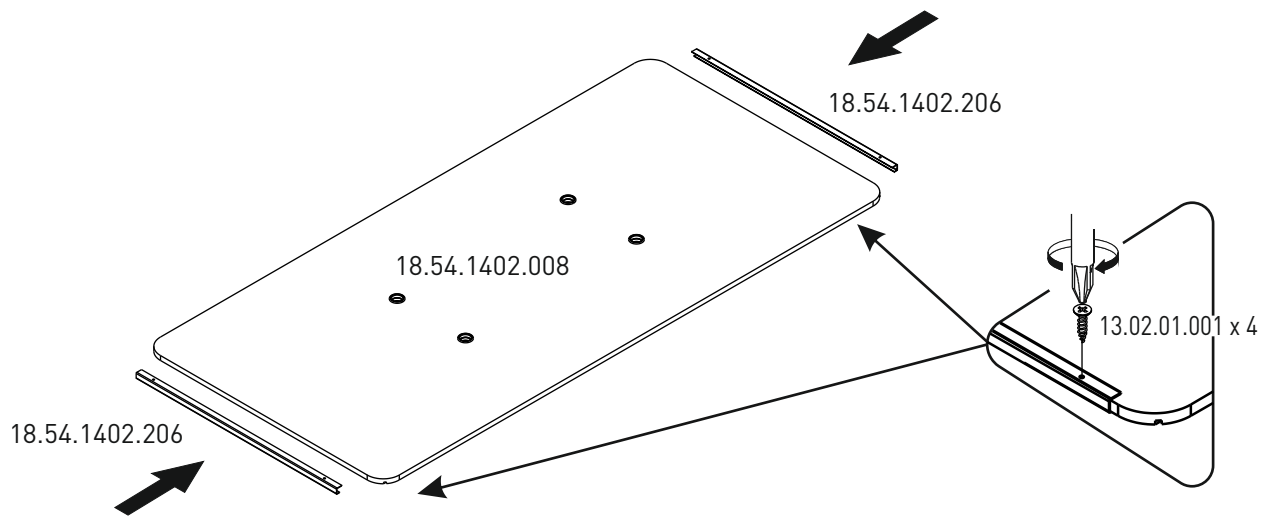




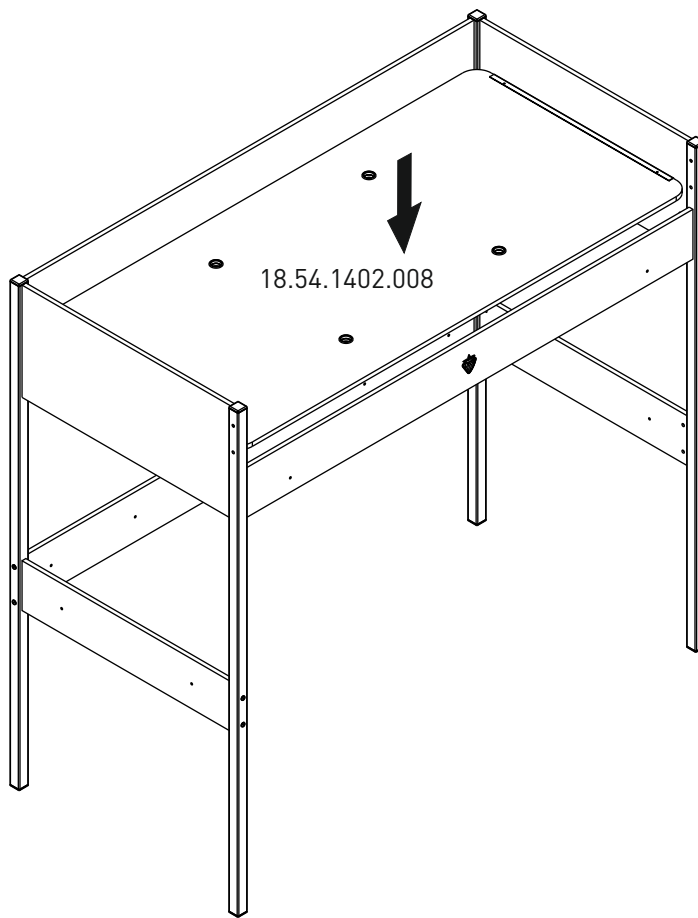




5



6



7

