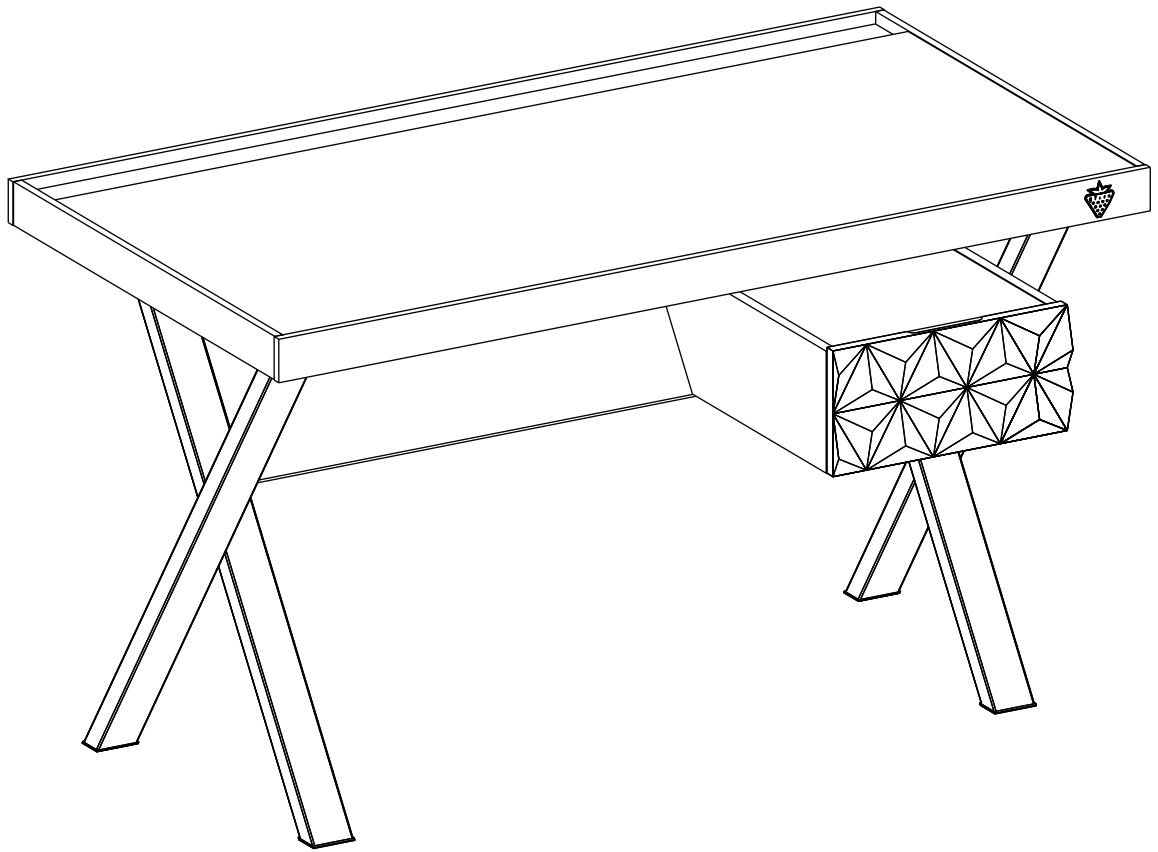
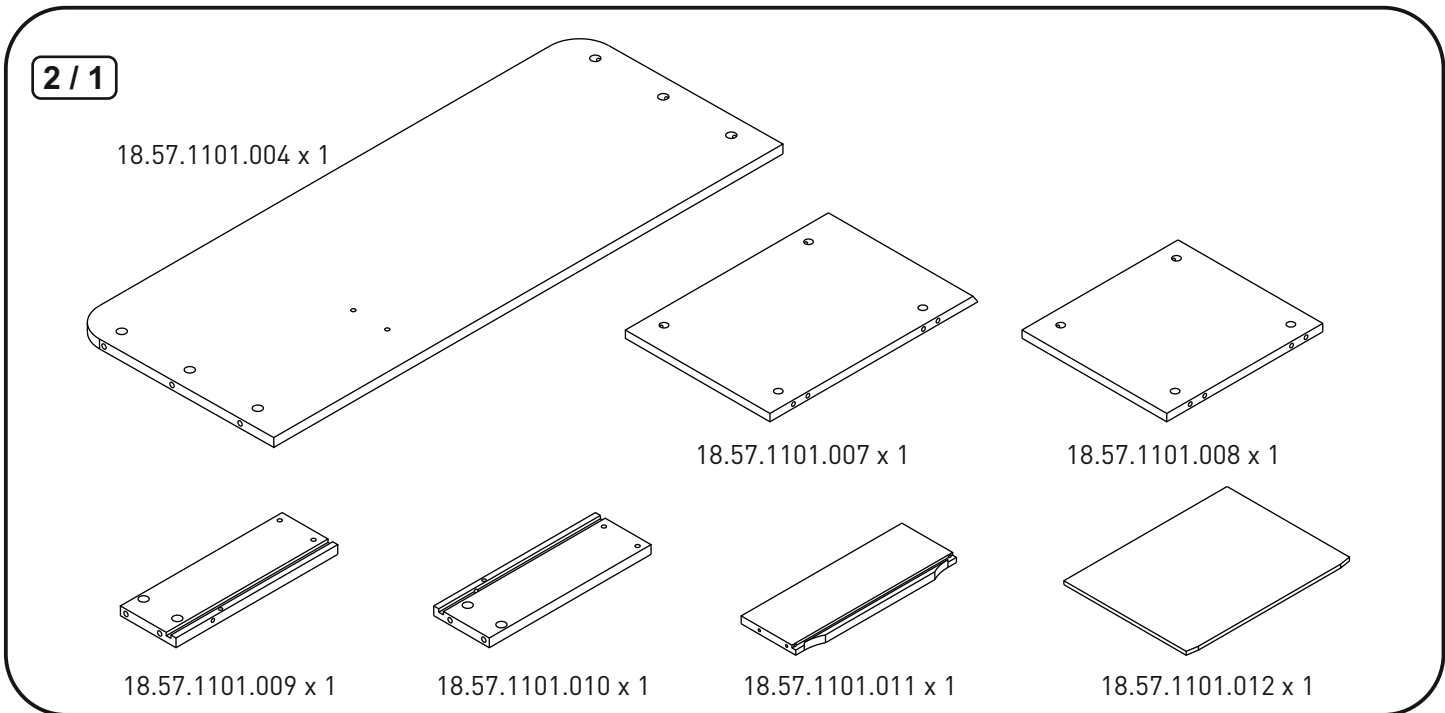
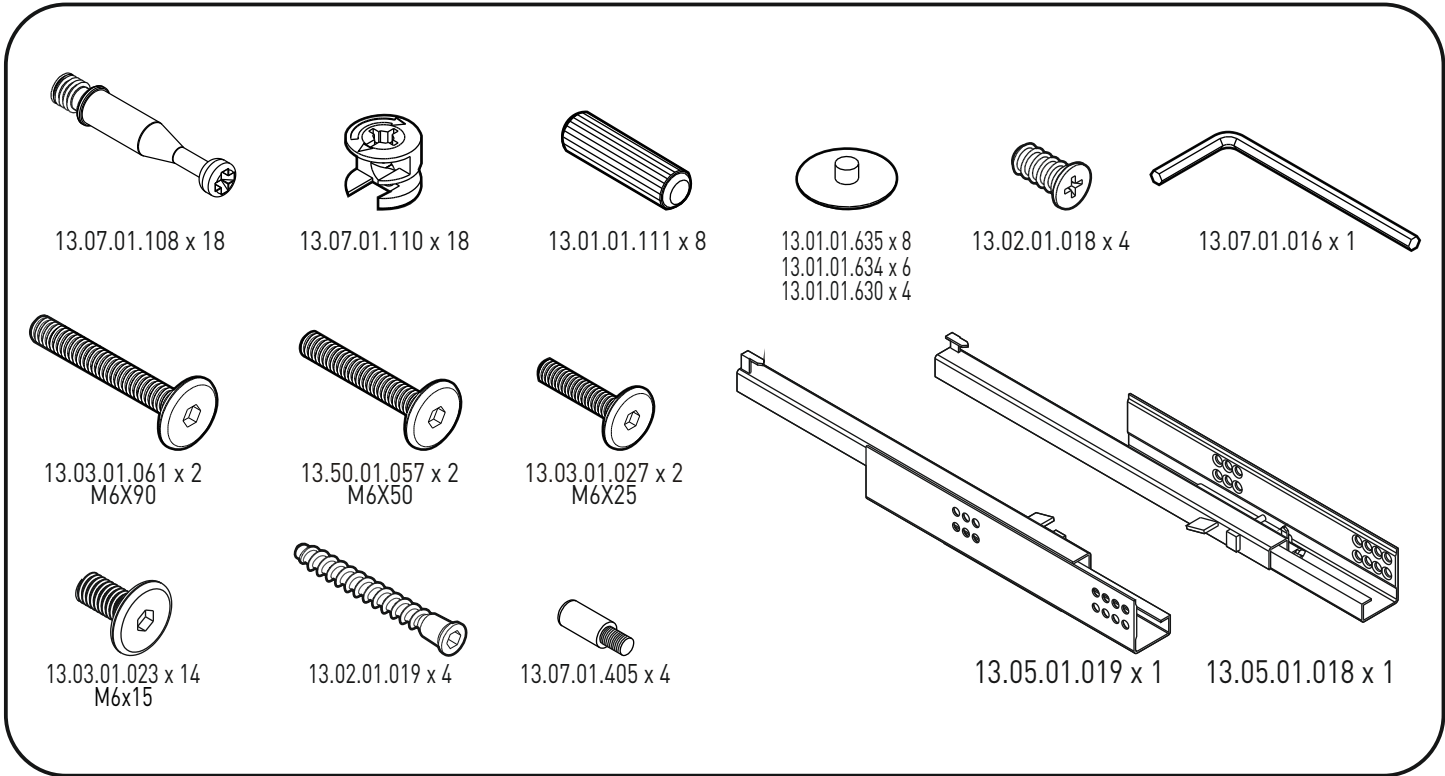
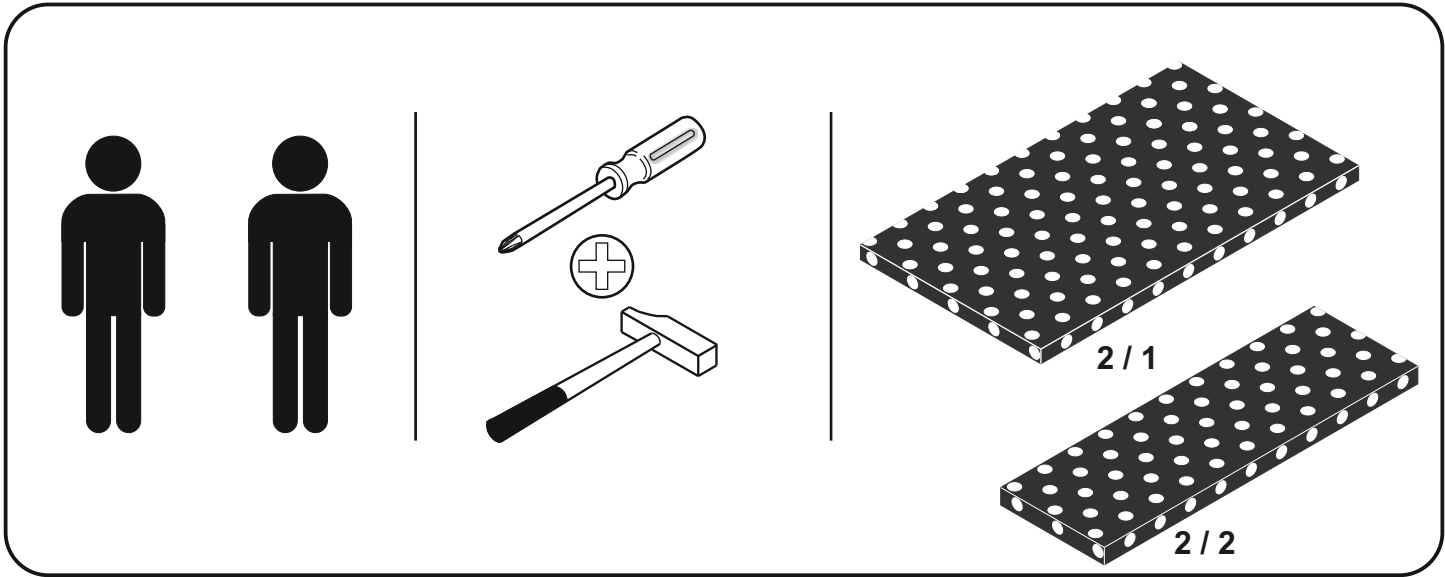
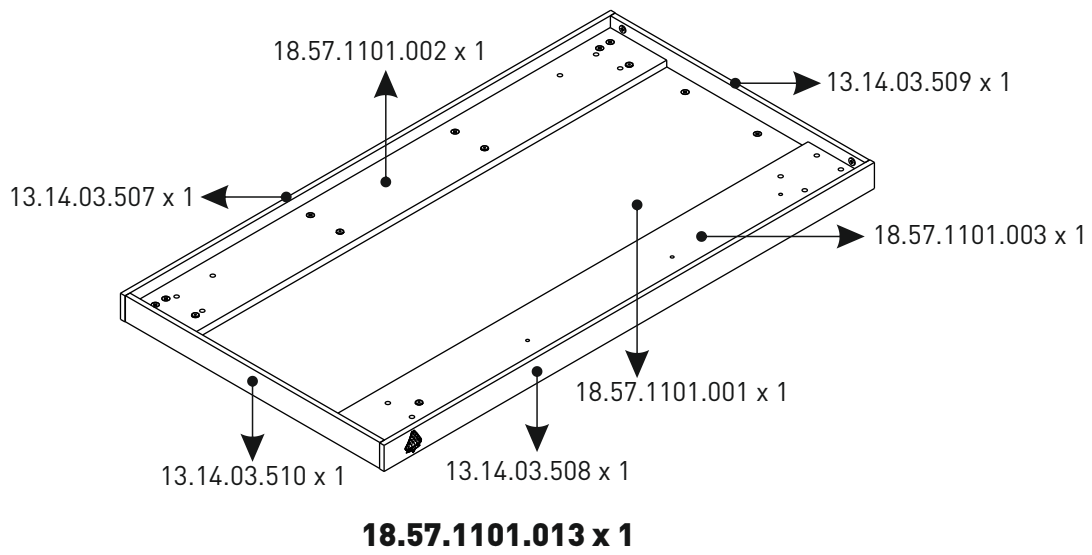


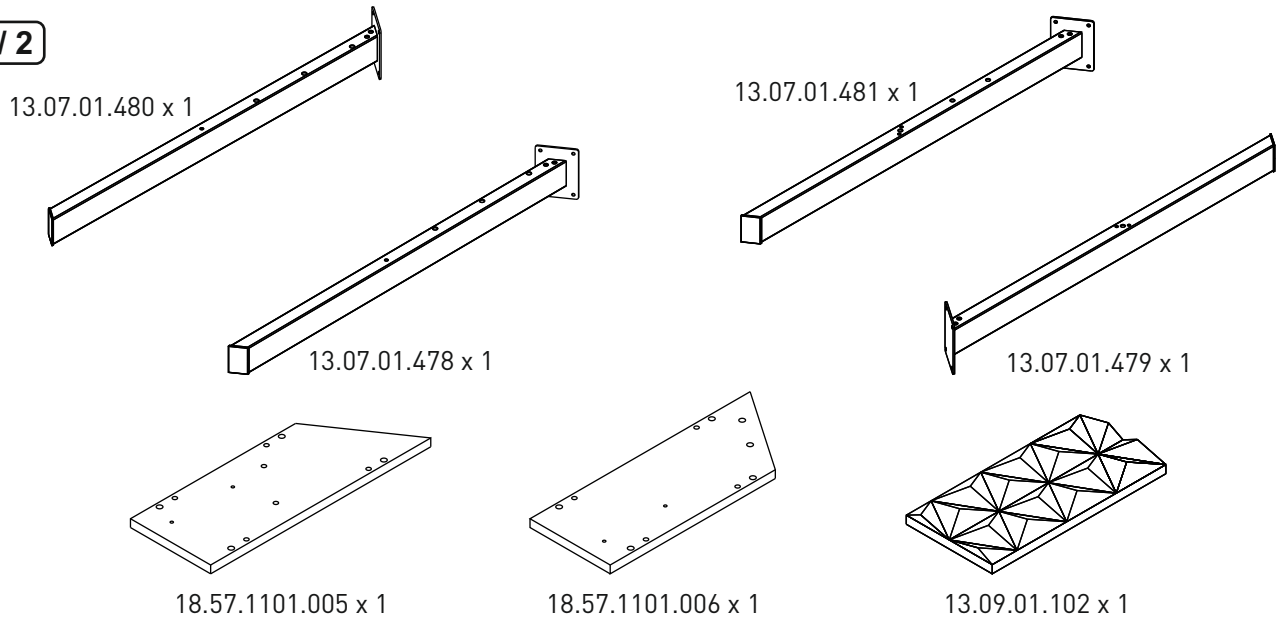
20.57.1101.00



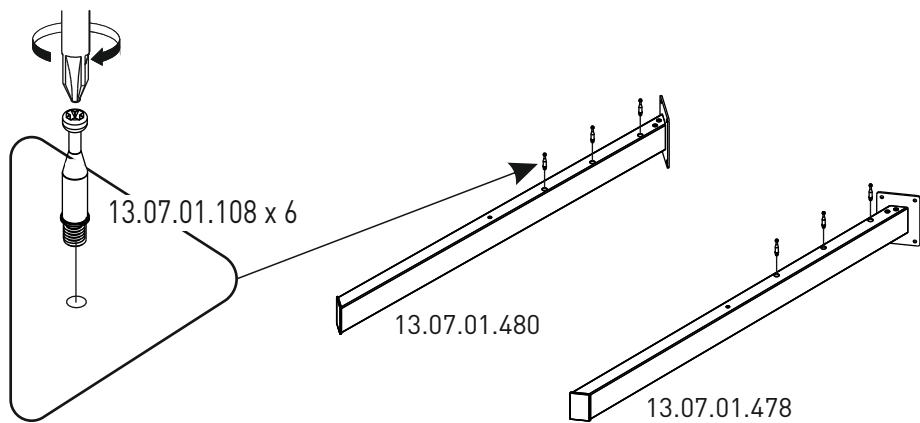




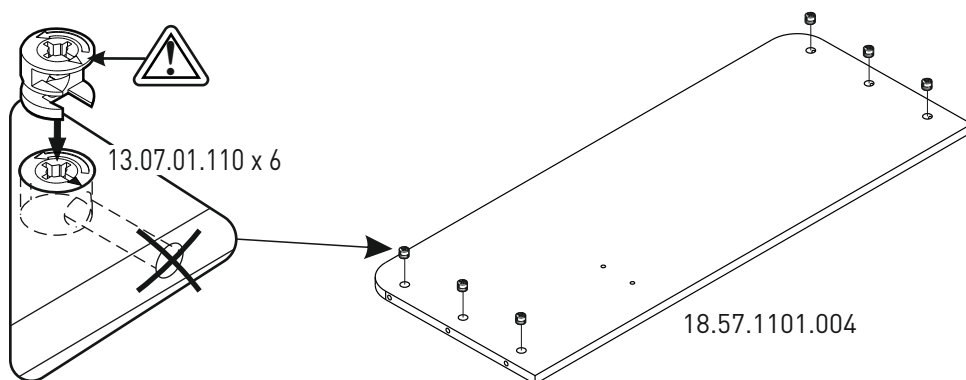
2 / 2



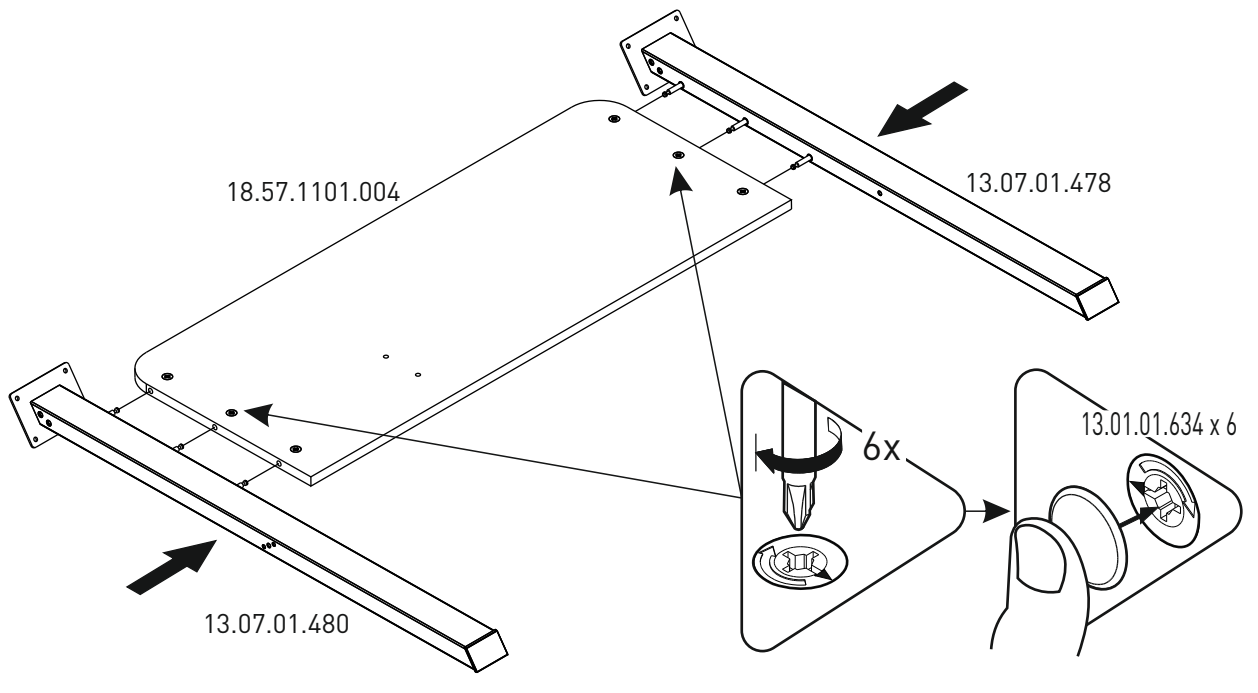
1



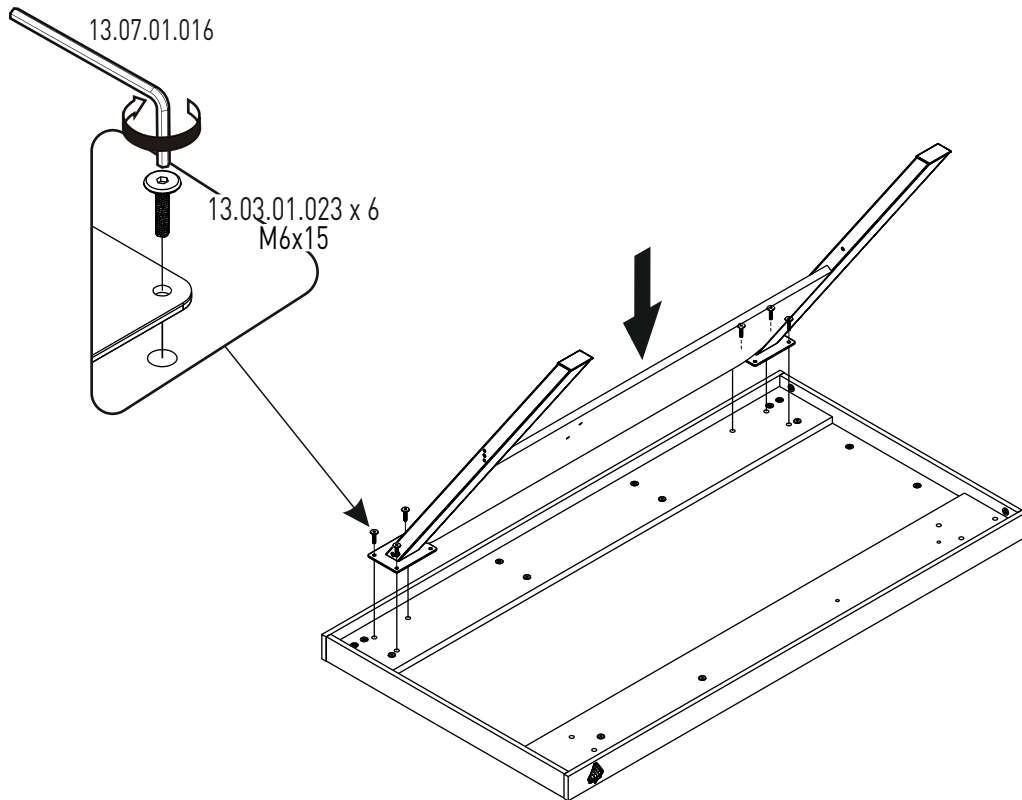
2



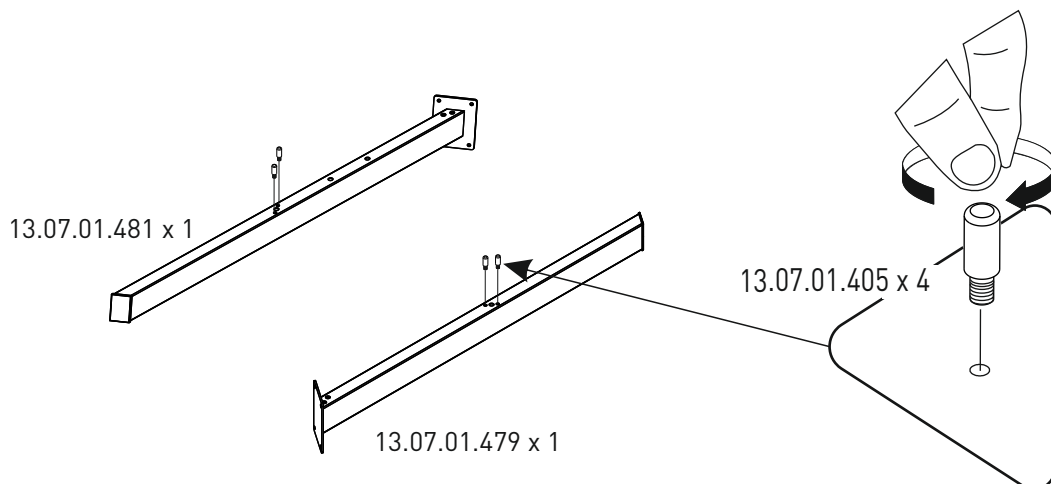
3



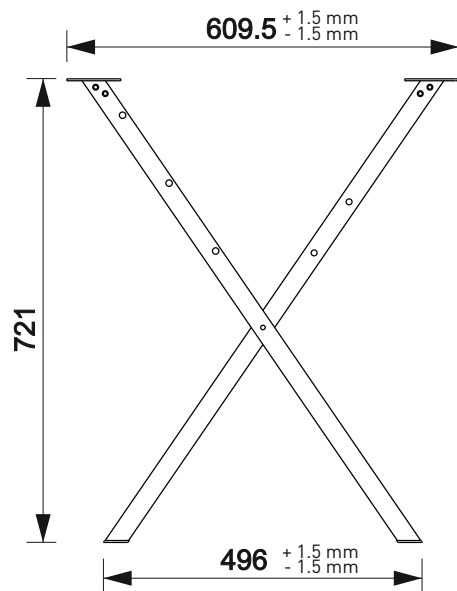
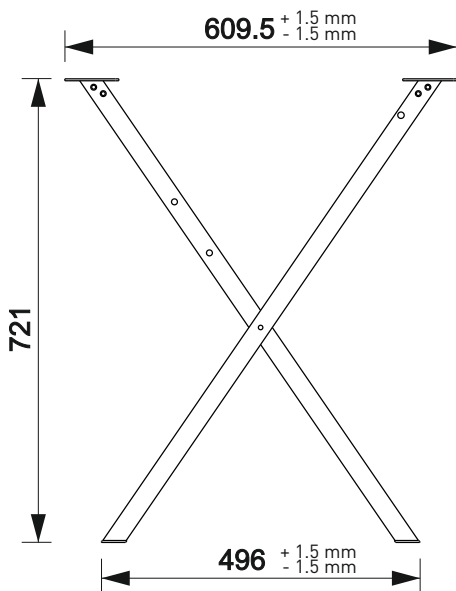
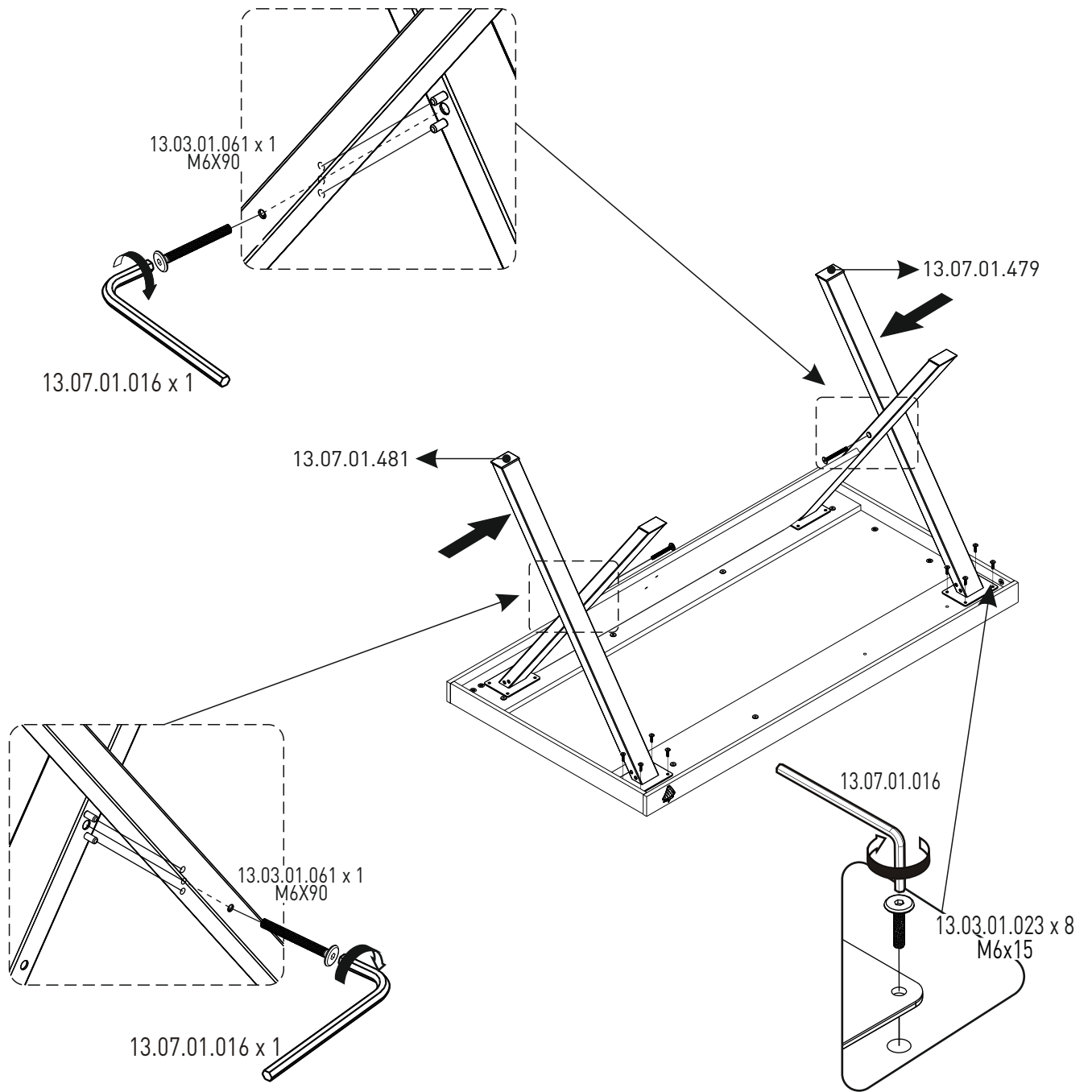
4



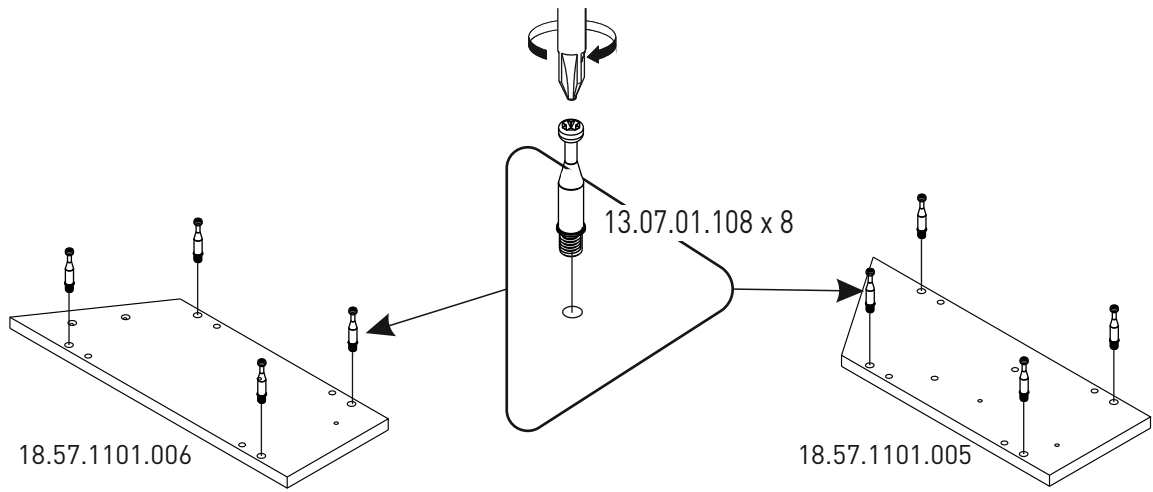
5



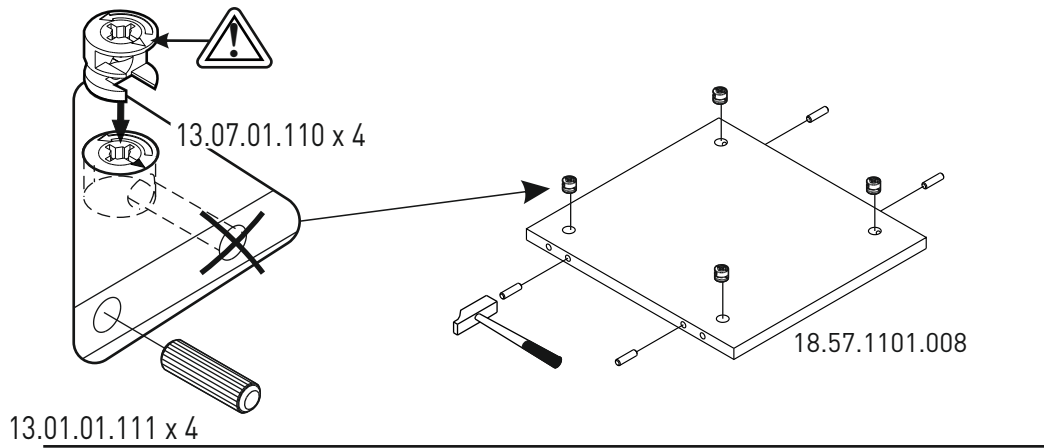
6



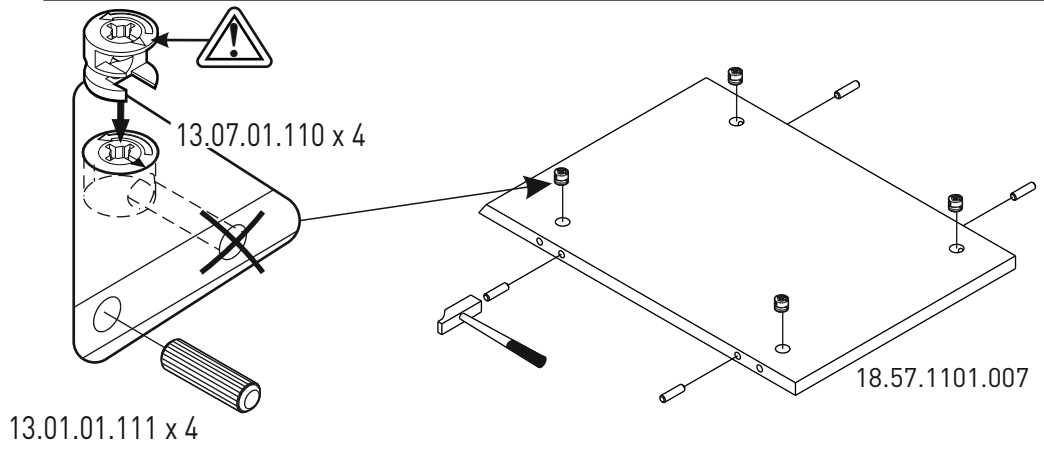
7



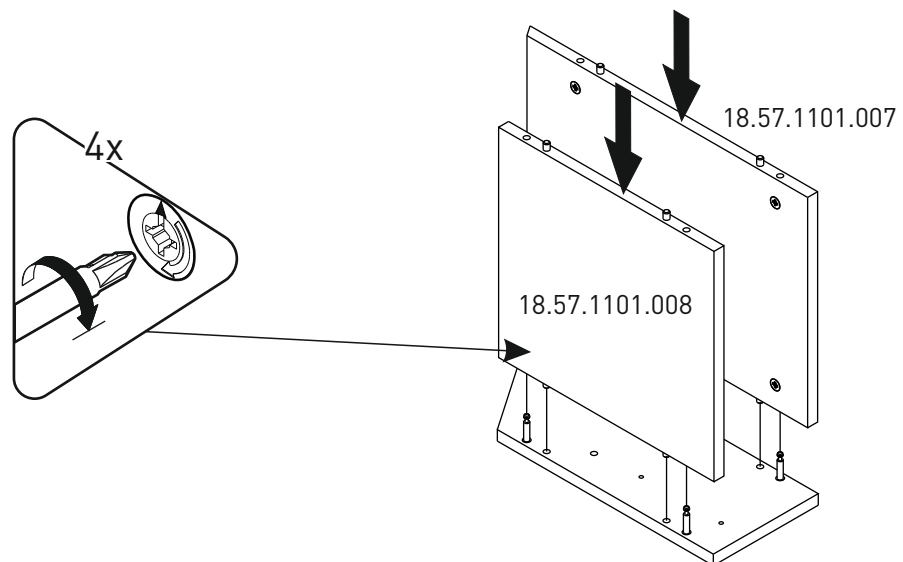
8



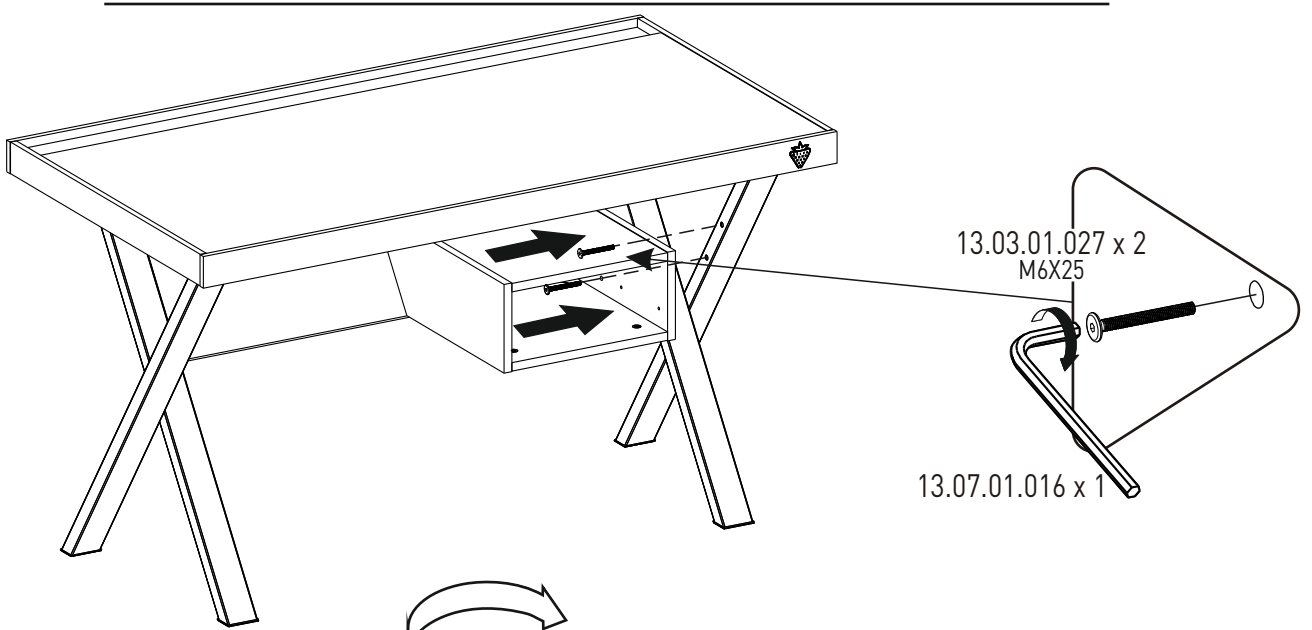
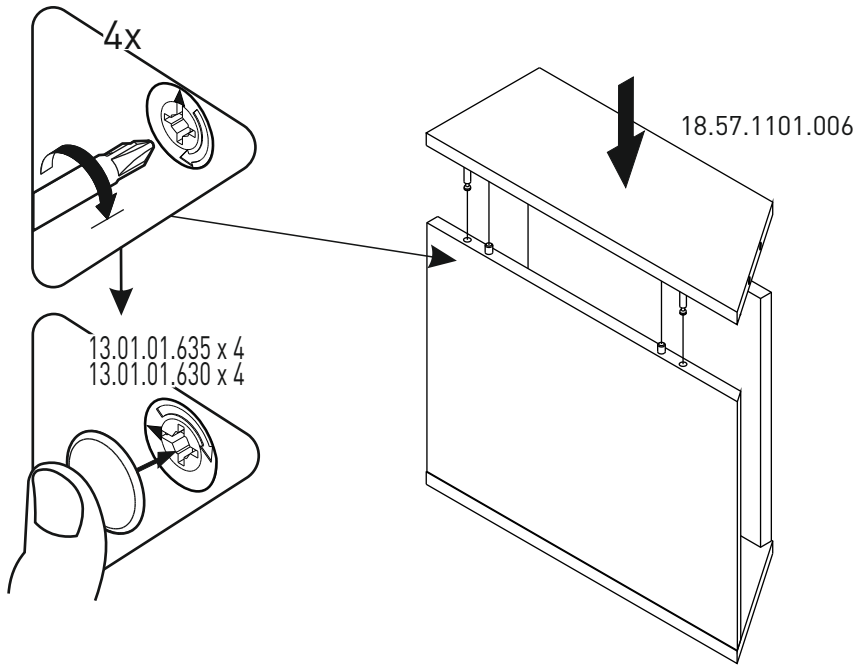
9



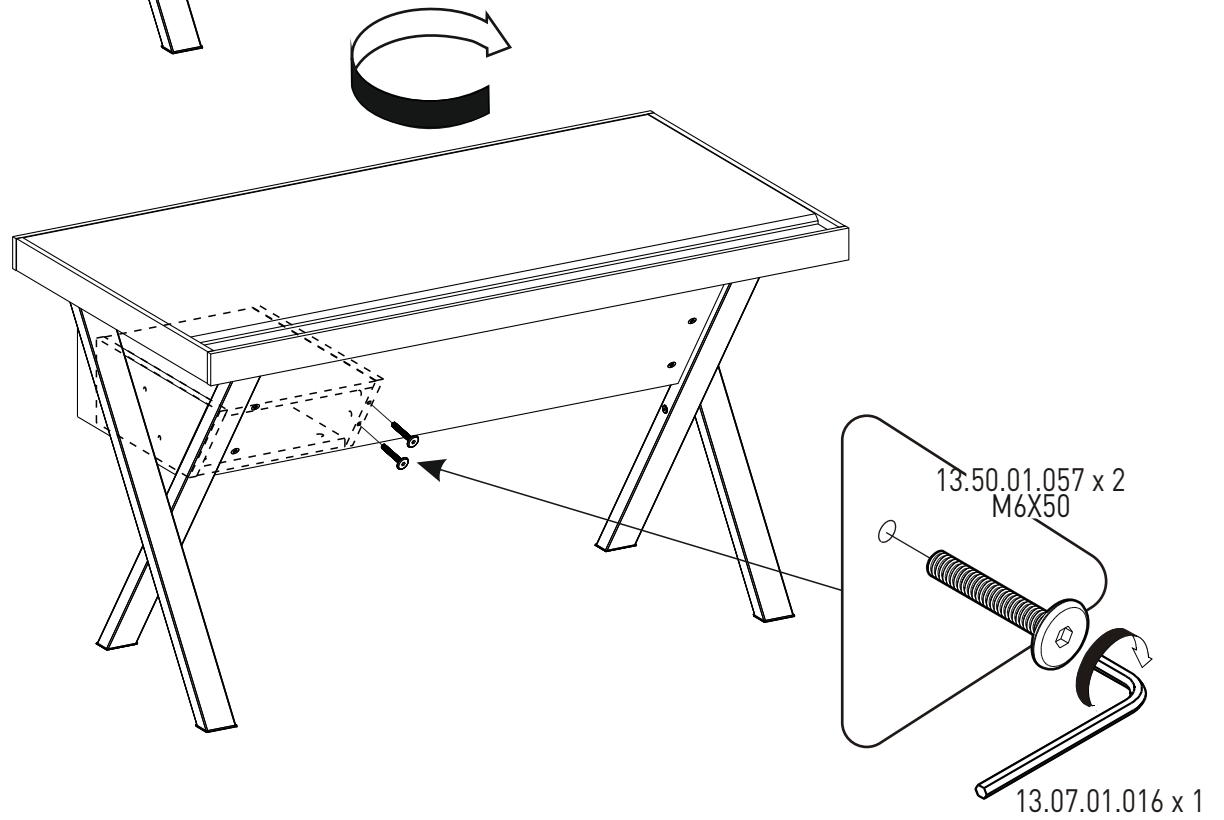
10



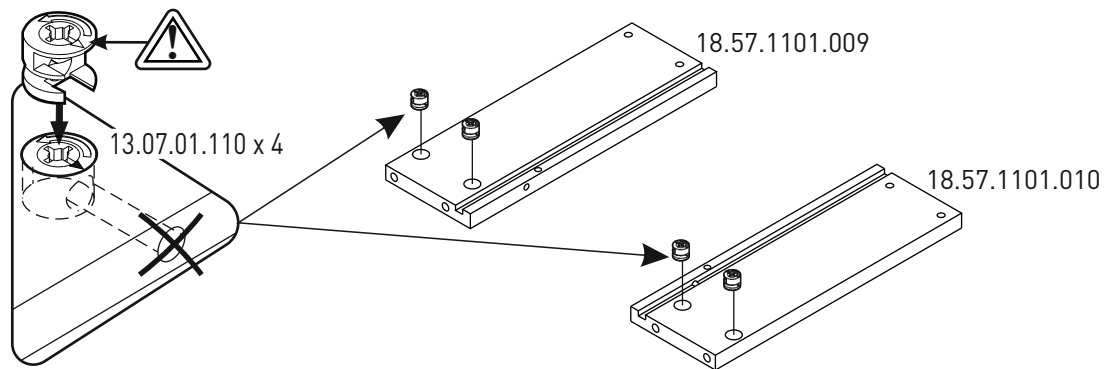
11



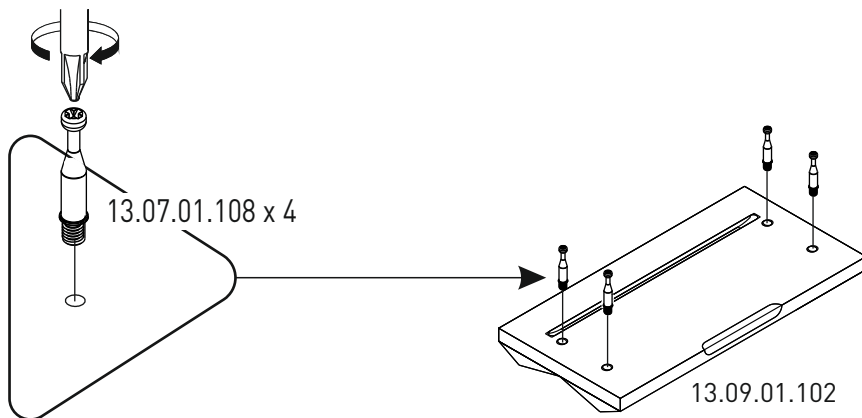
12



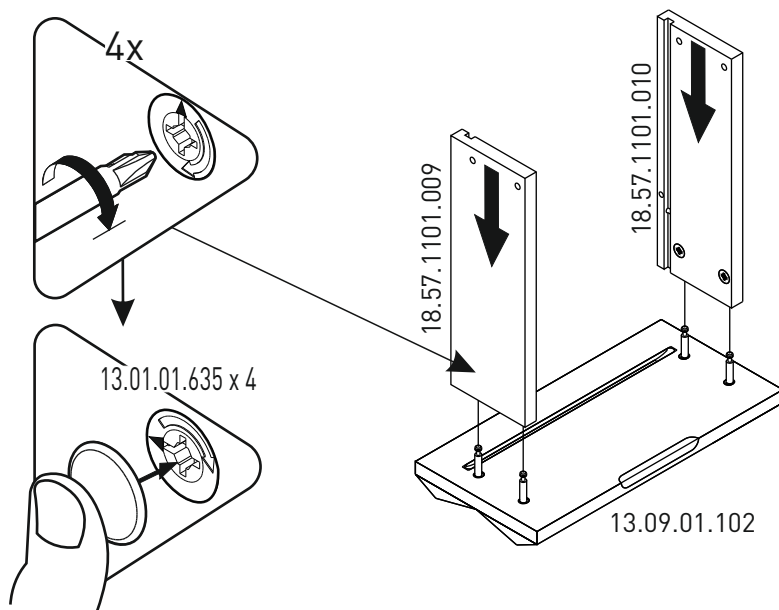
13



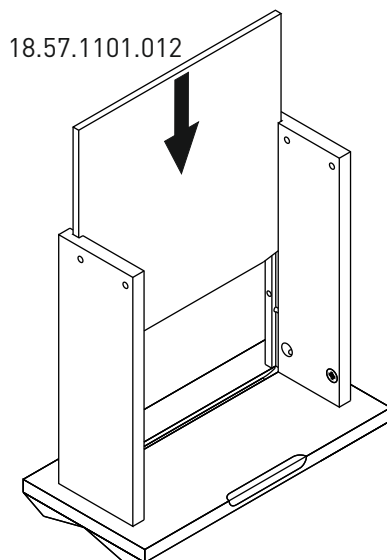
14



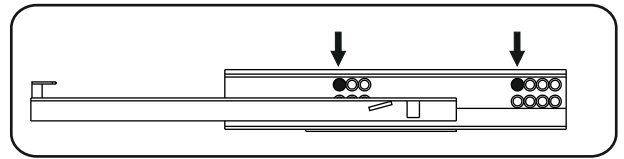
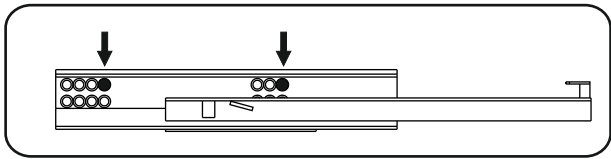
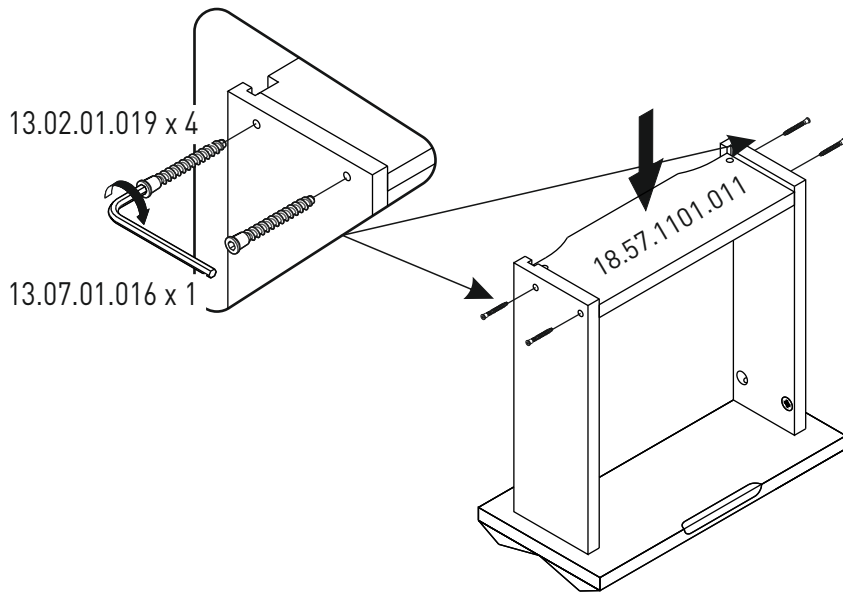
15



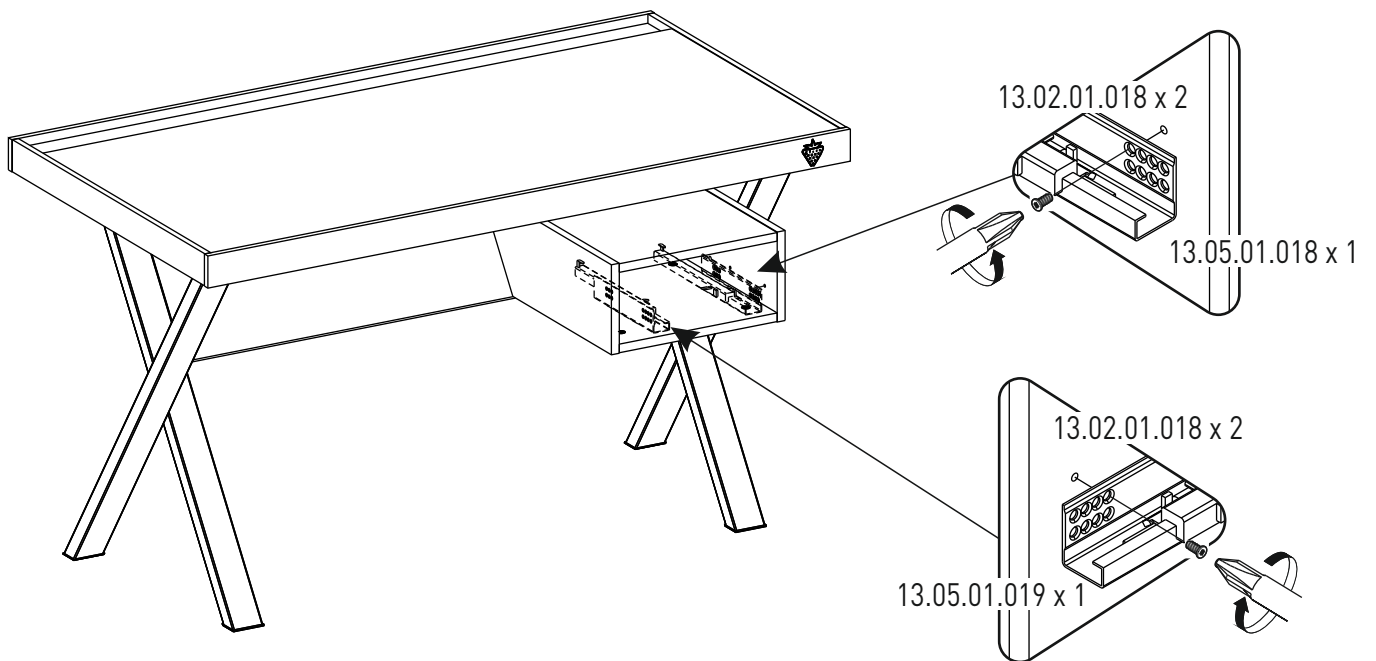
16

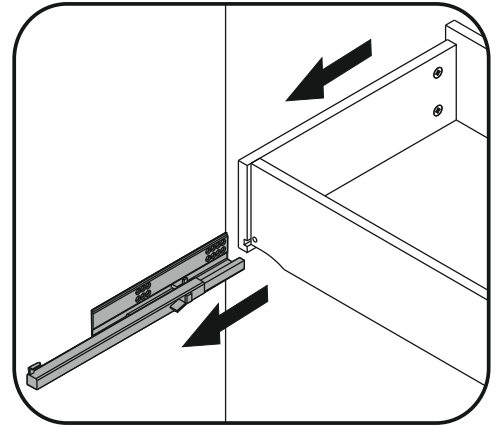
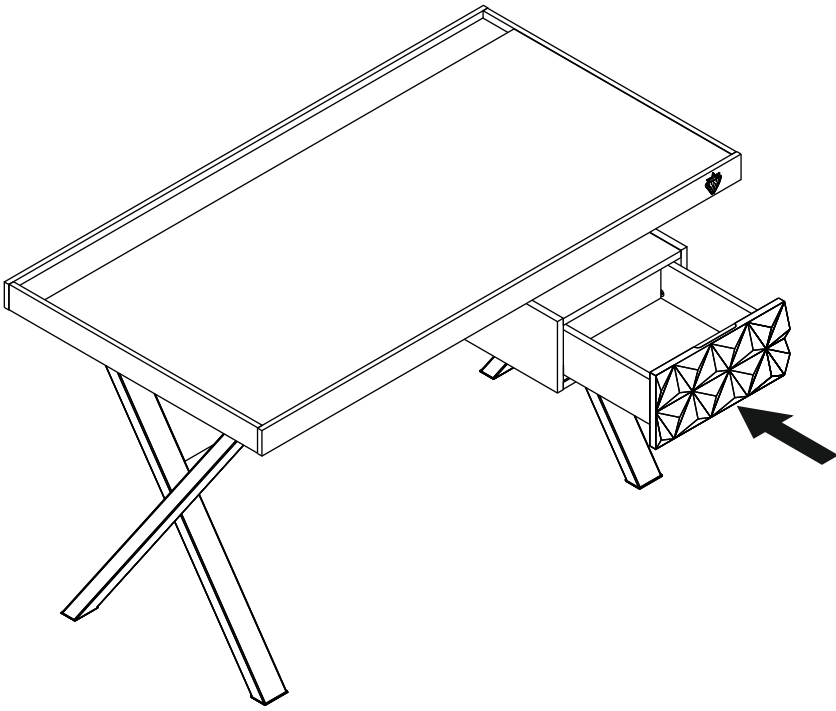


17



18





19

