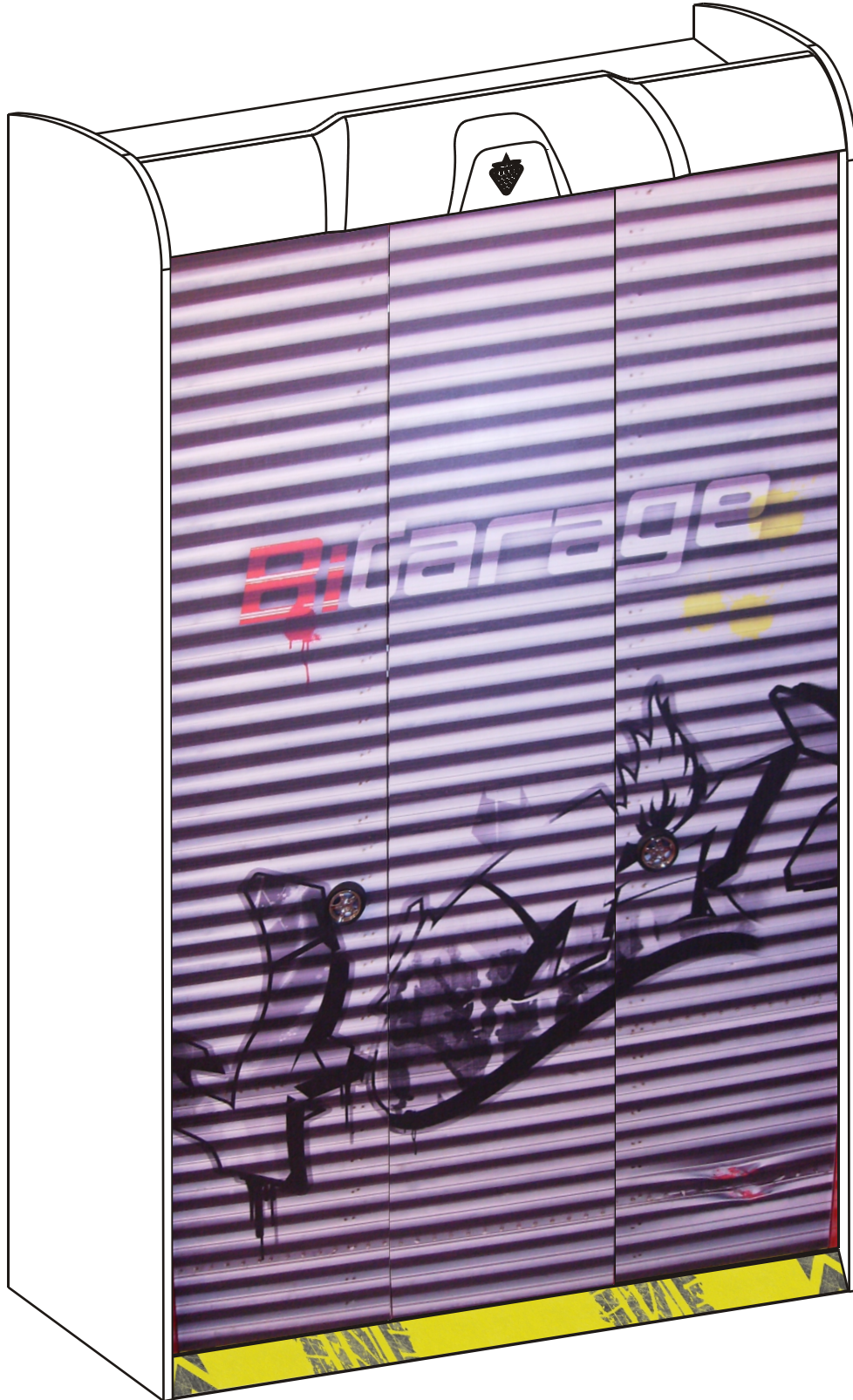
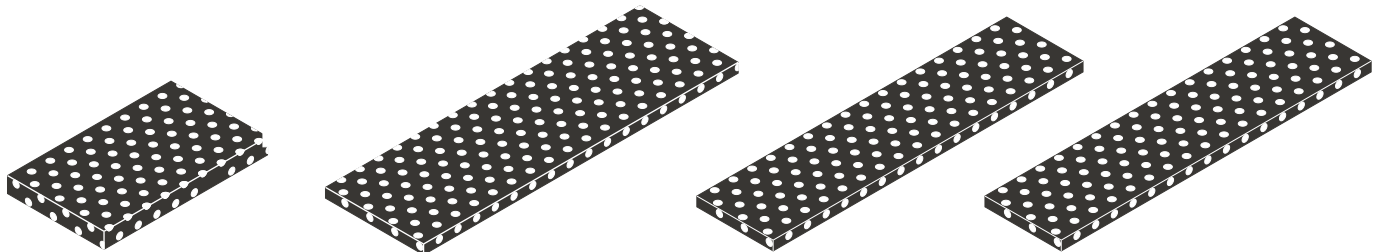
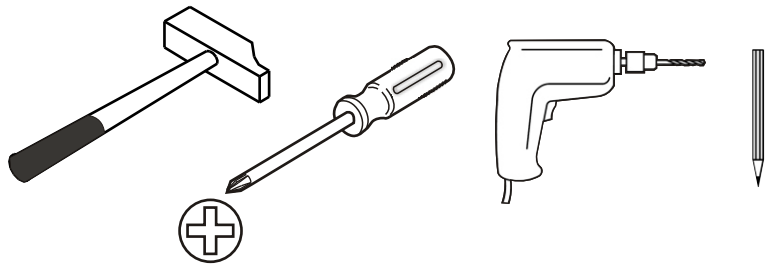
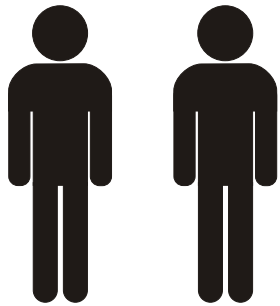


20.35.1002.00



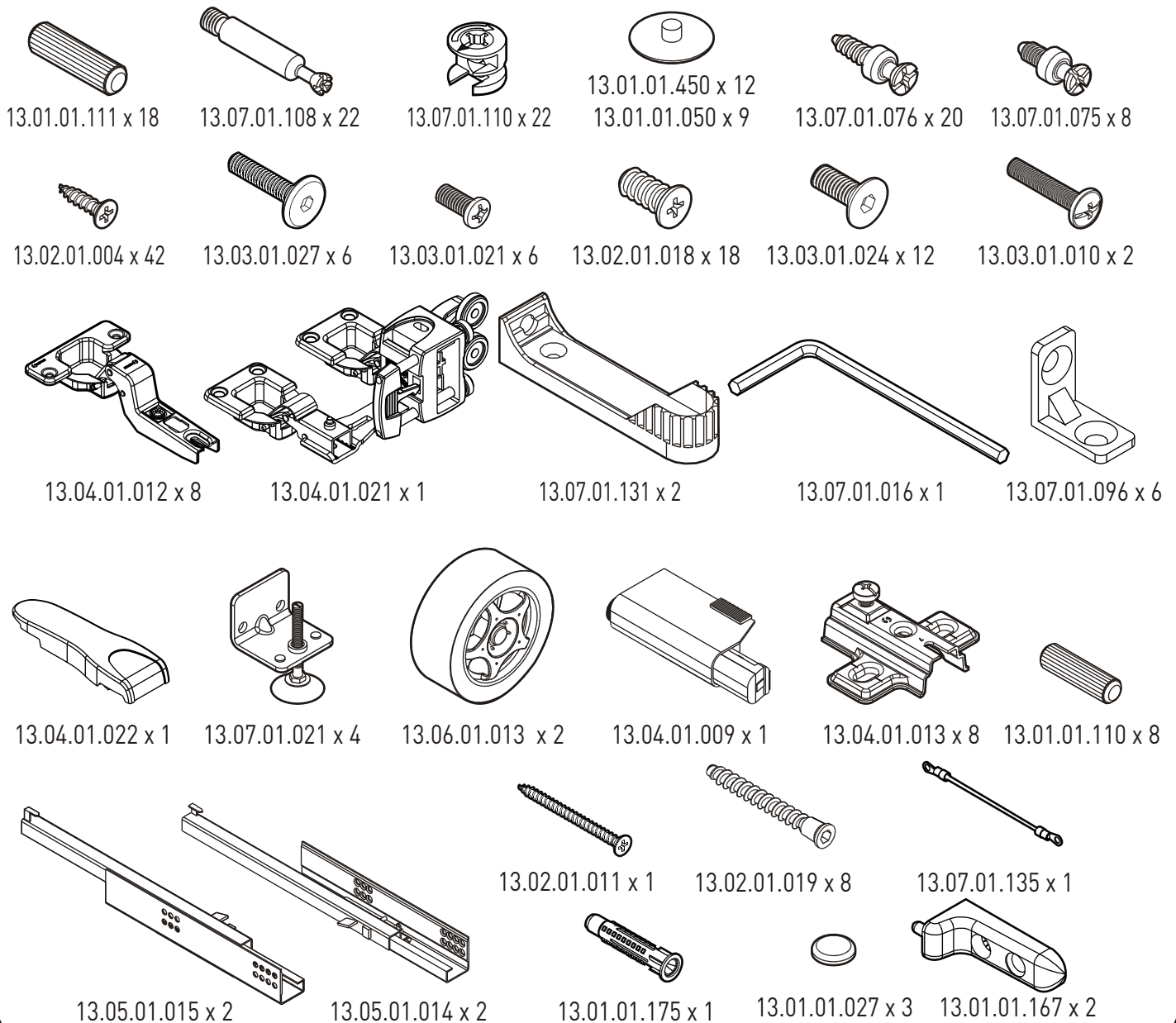


4/1

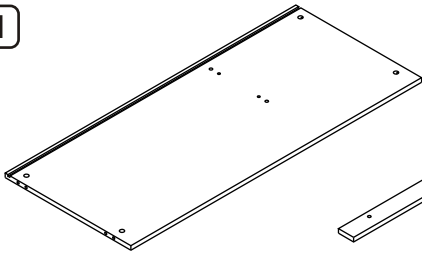
4/2

4/3

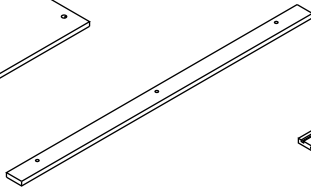
4/4



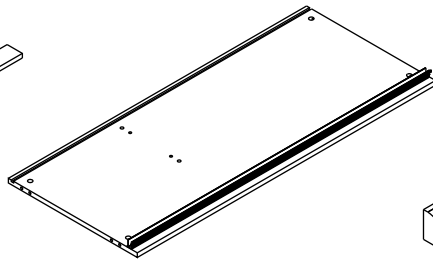
4/1



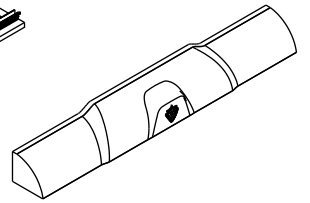
18.35.1002.003 x 1



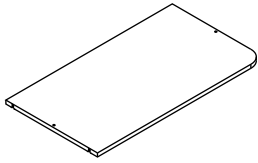
18.35.1002.004 x 2



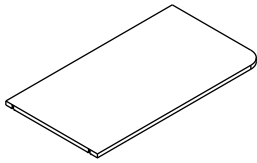
18.35.1002.008 x 1



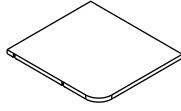
18.35.1002.801 x 1



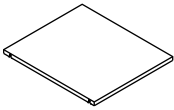
18.35.1002.011 x 1



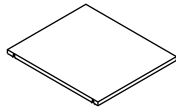
18.35.1002.012 x 1



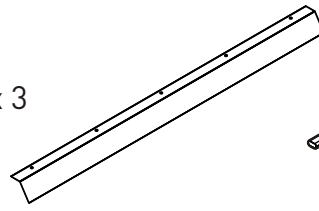
18.35.1002.015 x 3



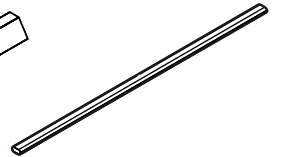
18.35.1002.013 x 1



18.35.1002.014 x 1

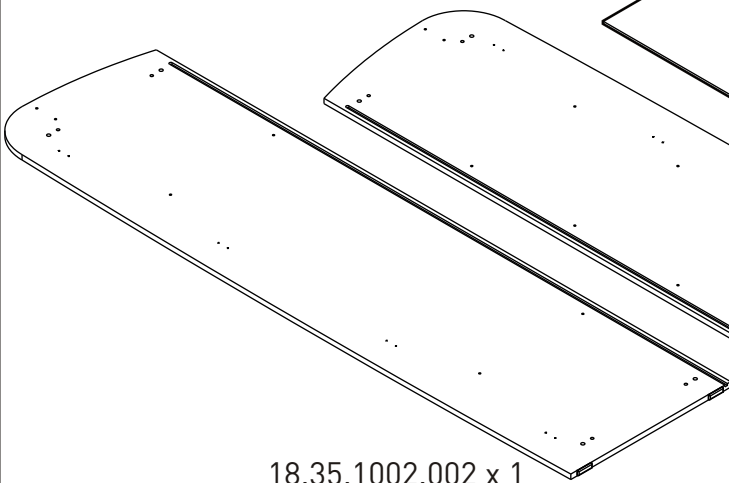


185.35.1002.020x1

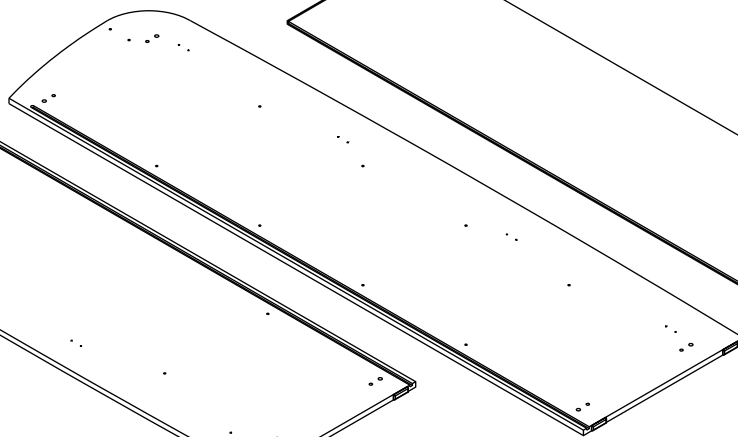


13.13.01.019 x 1

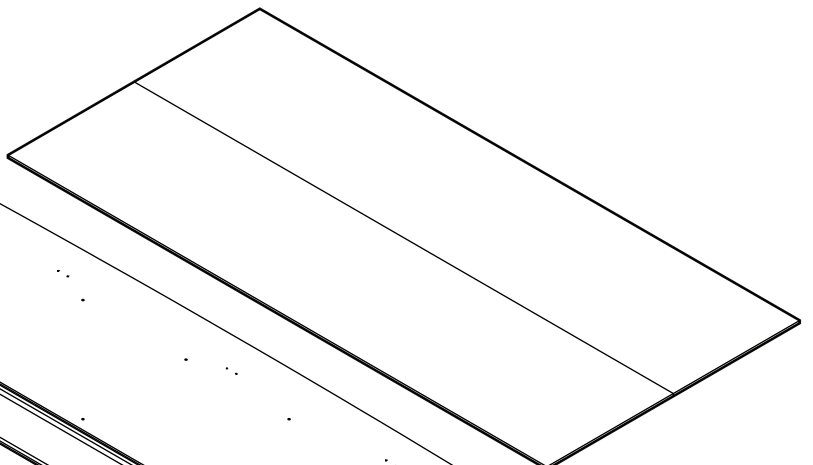
4/2



18.35.1002.002 x 1



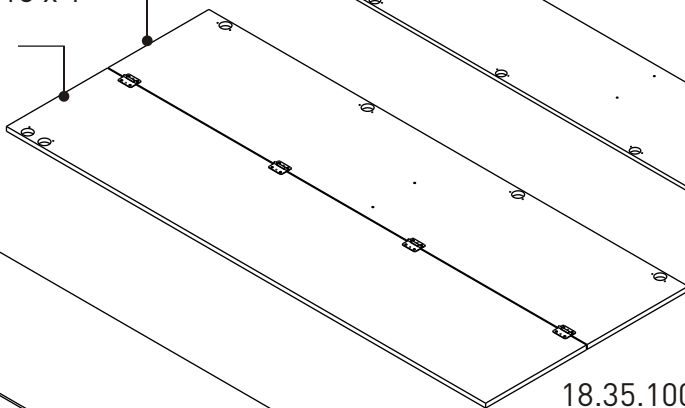
18.35.1002.001 x 1



18.35.1002.006 x 1

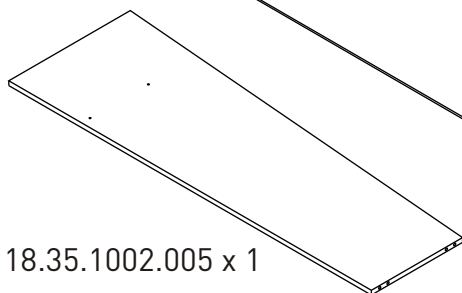
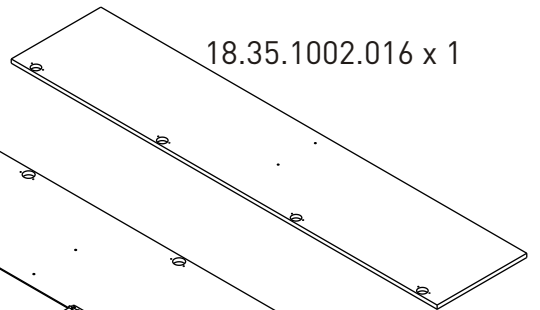
4/3

18.35.1002.018 x 1
18.35.1002.017 x 1

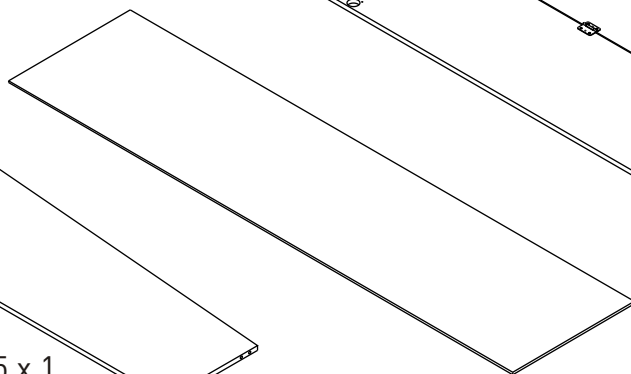


18.35.1002.019 x 1

18.35.1002.016 x 1

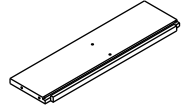
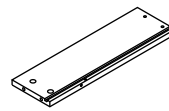
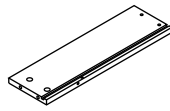
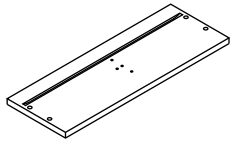
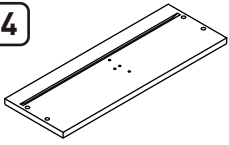


18.35.1002.005 x 1



18.35.1002.007 x 1

4/4



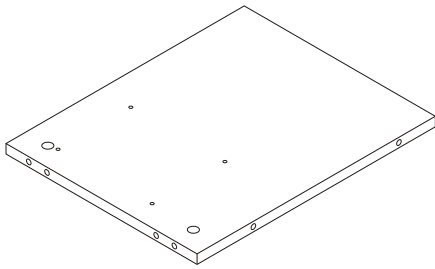
18.35.1002.023x1

18.35.1002.024x1

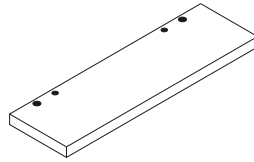
18.35.1002.027x2

18.35.1002.026x2

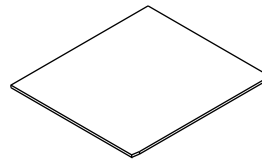
18.35.1002.025x2



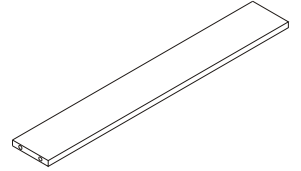
18.35.1002.021x1



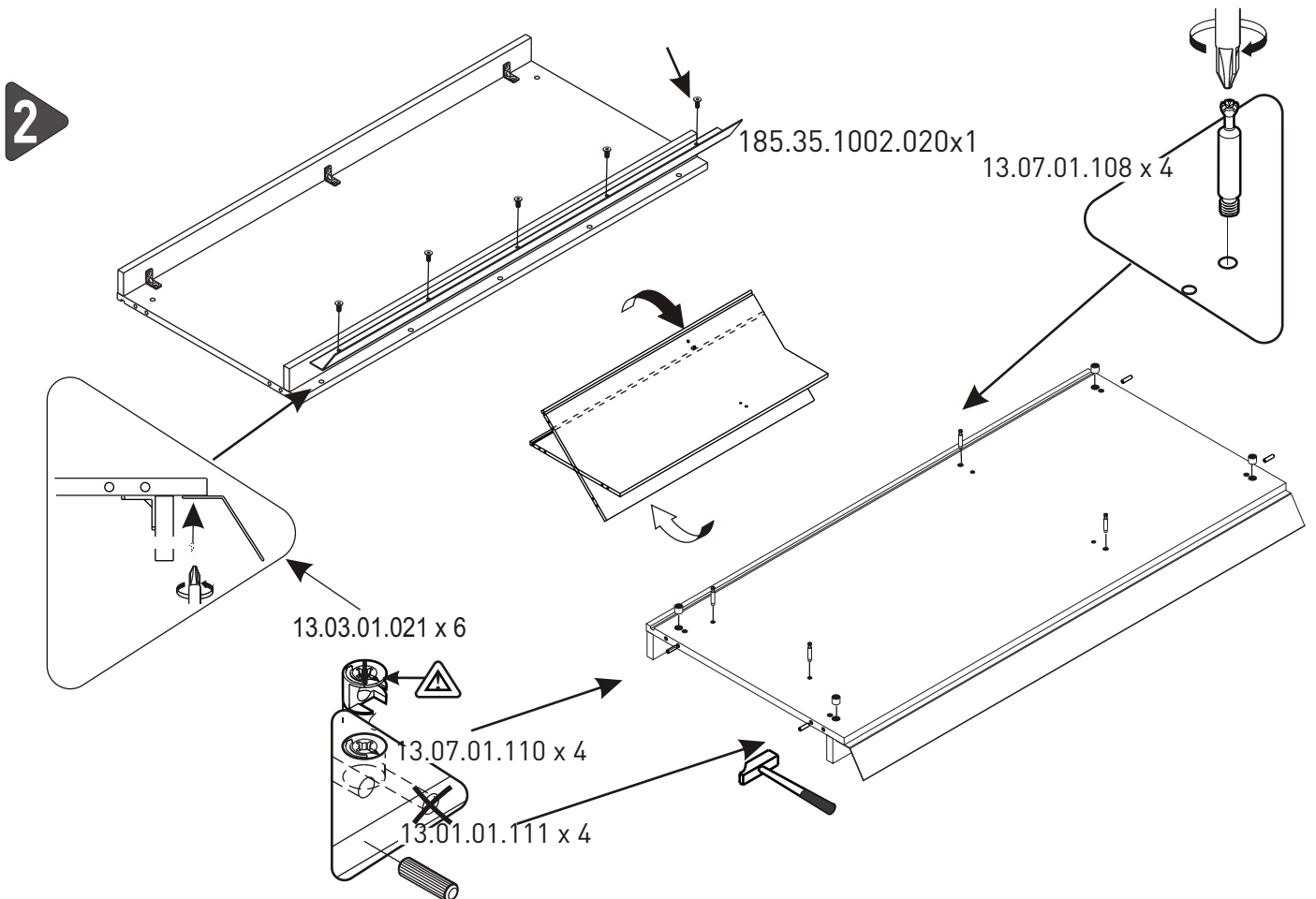
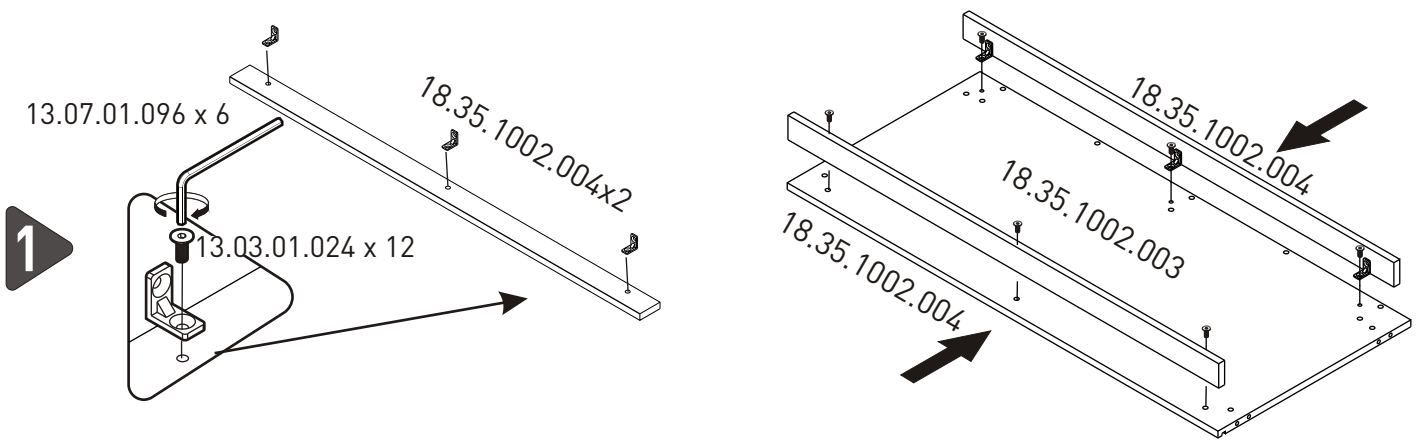
18.35.1002.022x1



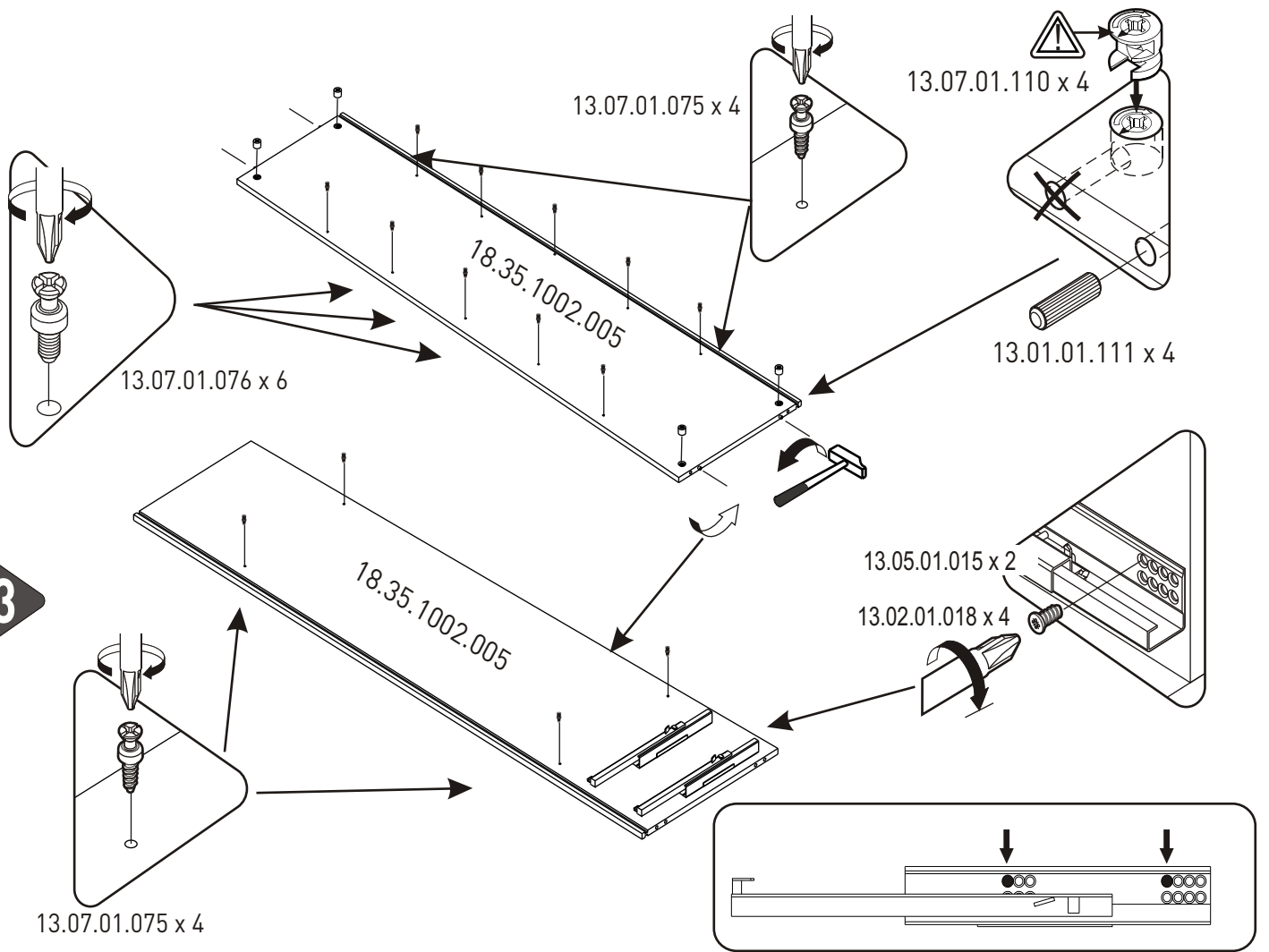
18.35.1002.029x2



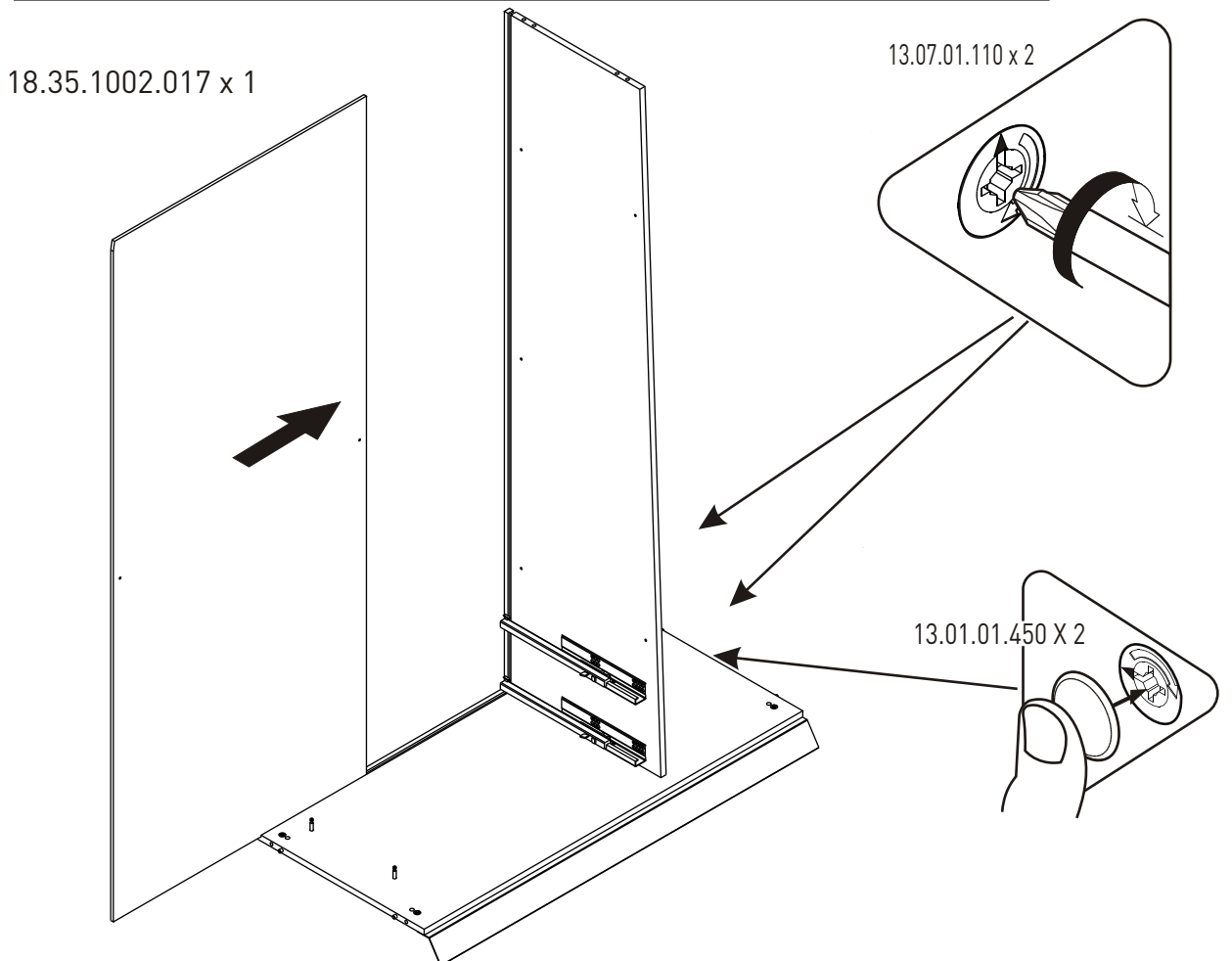
18.35.1002.028x2

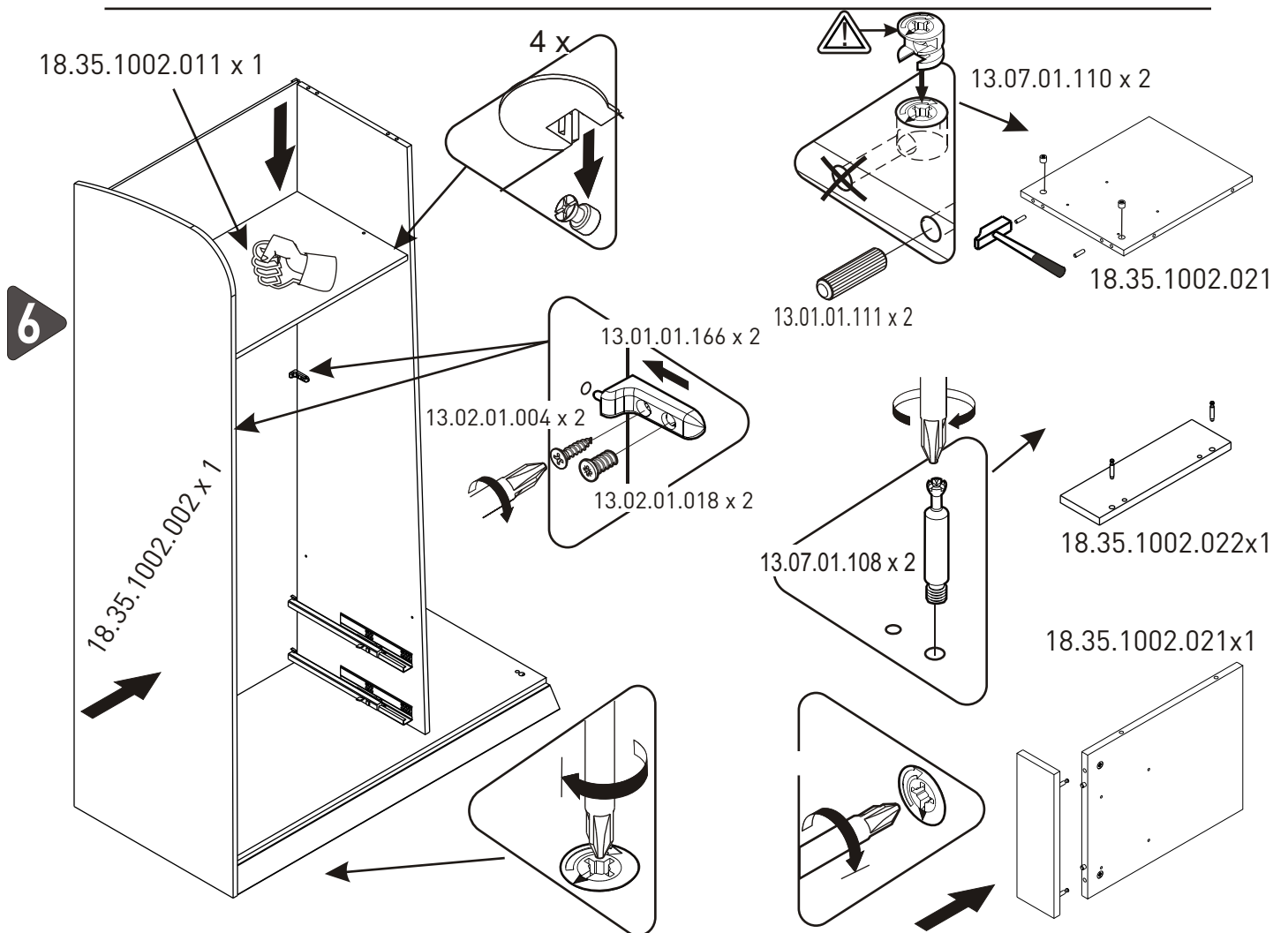
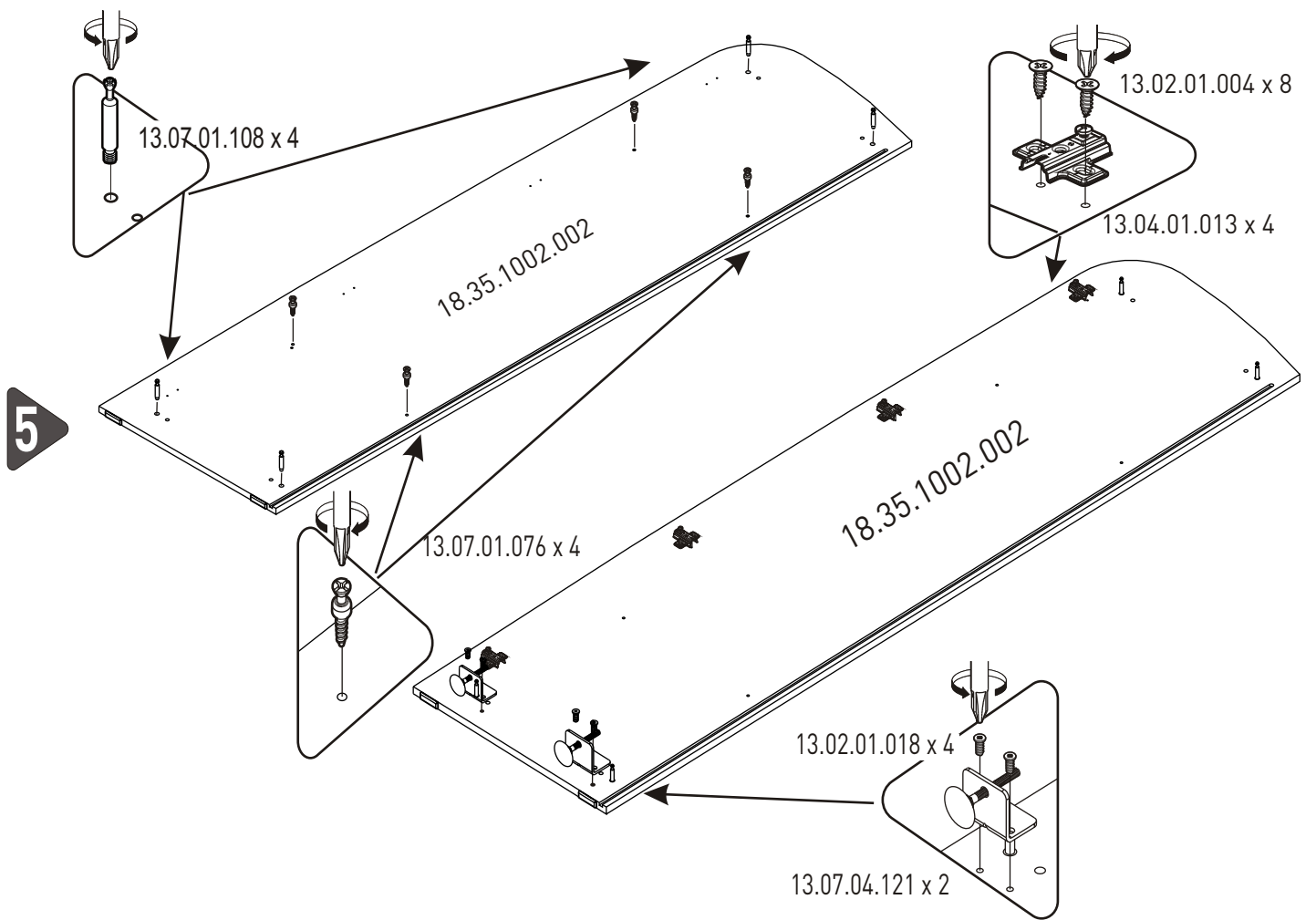


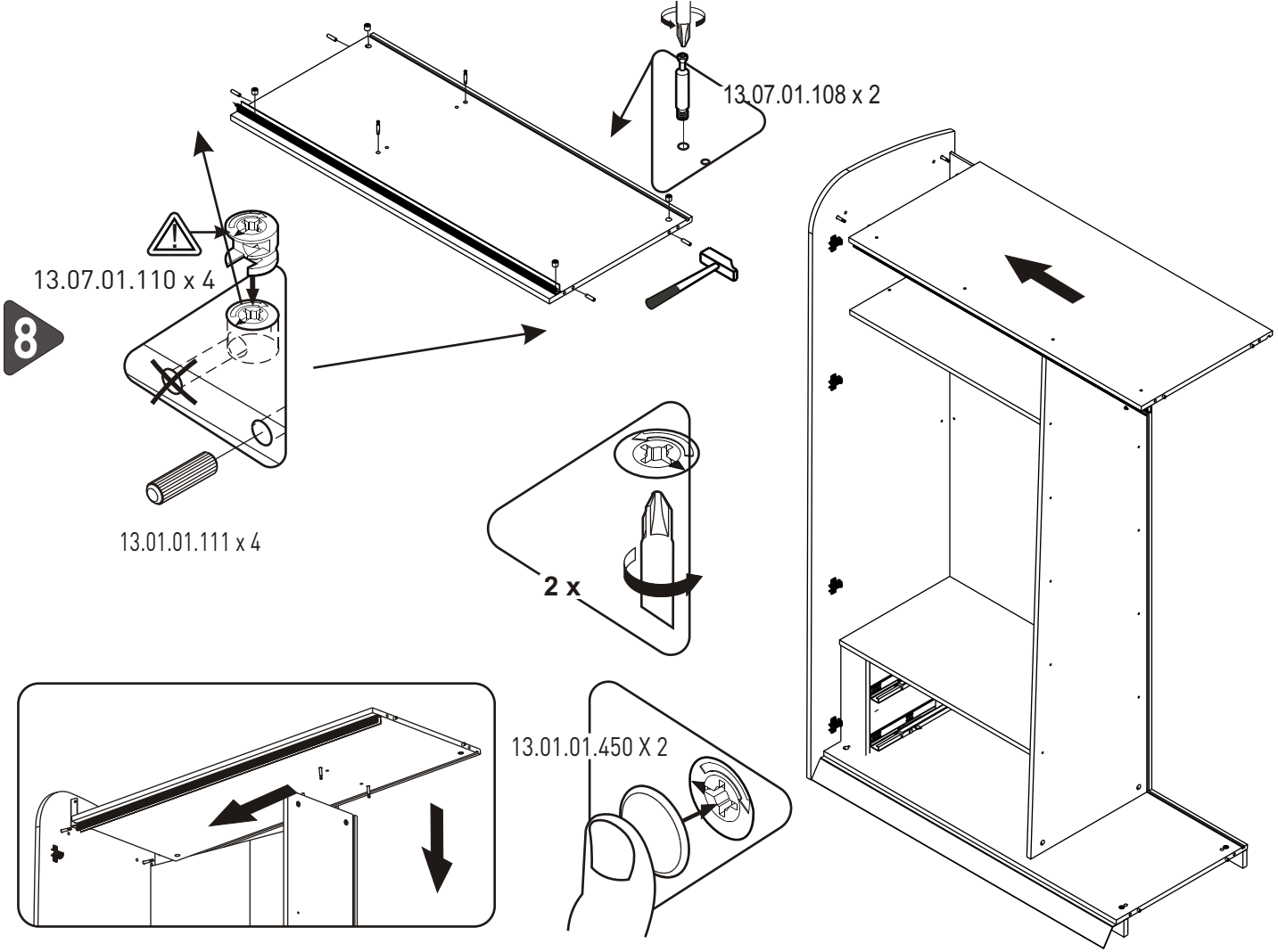
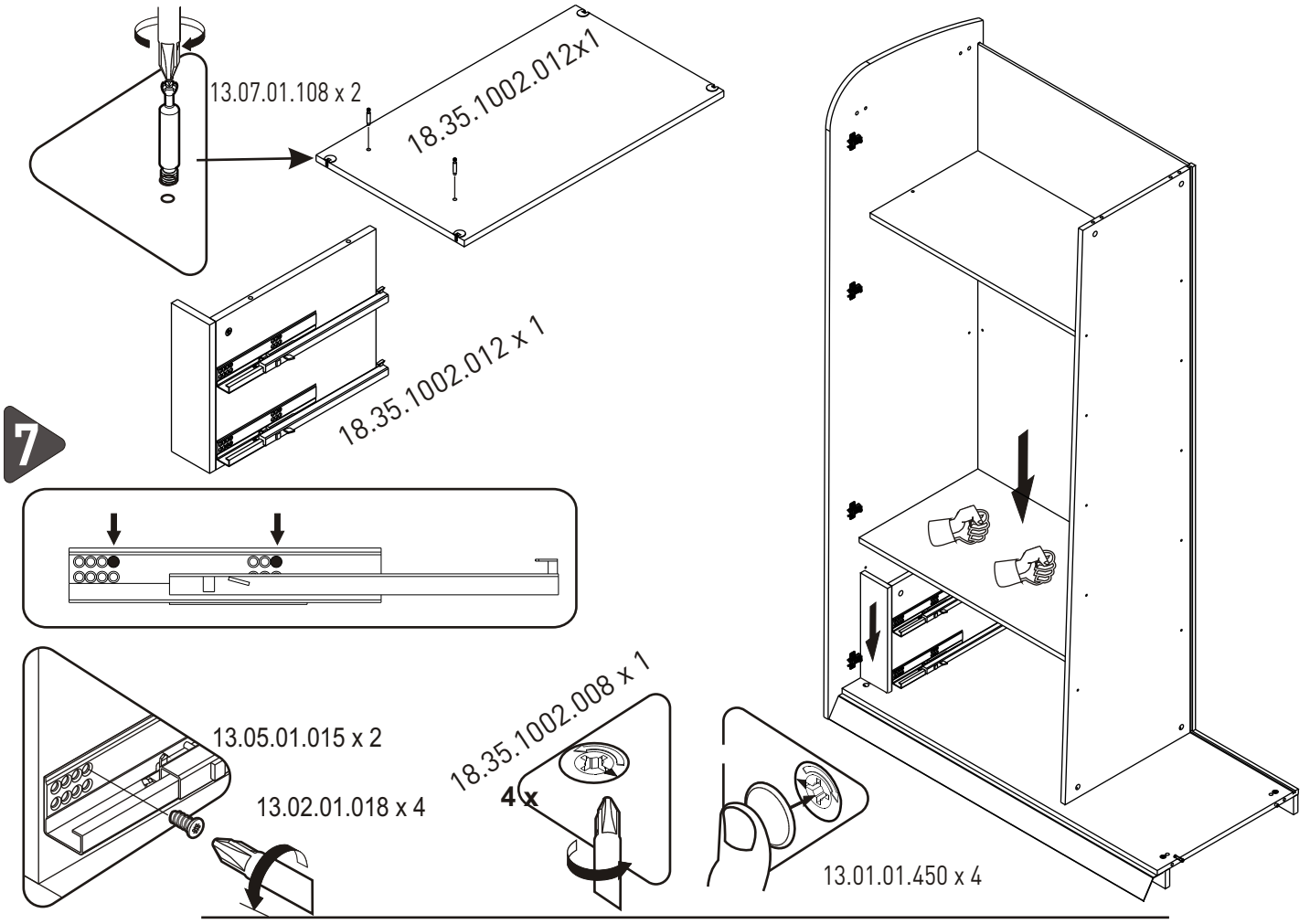
3



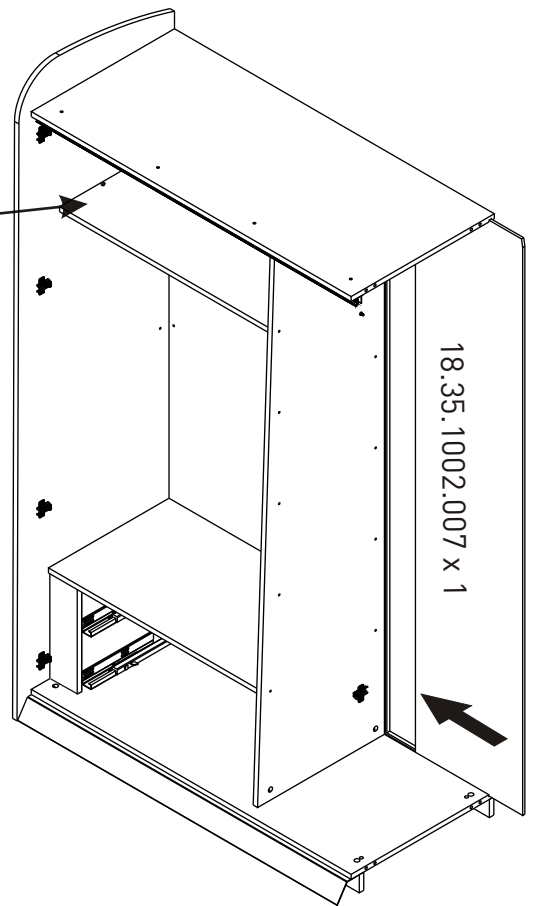
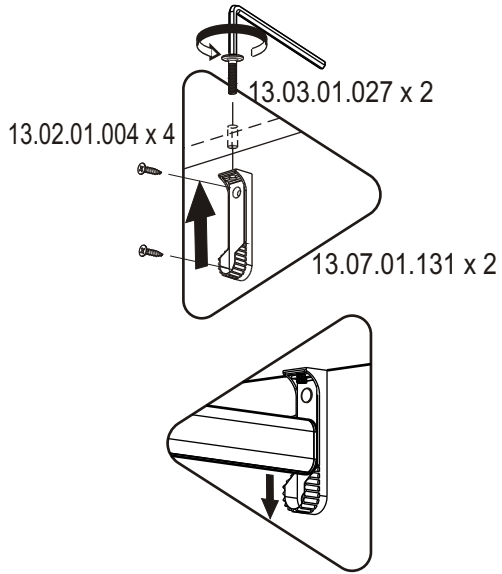
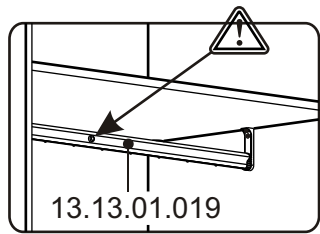
4



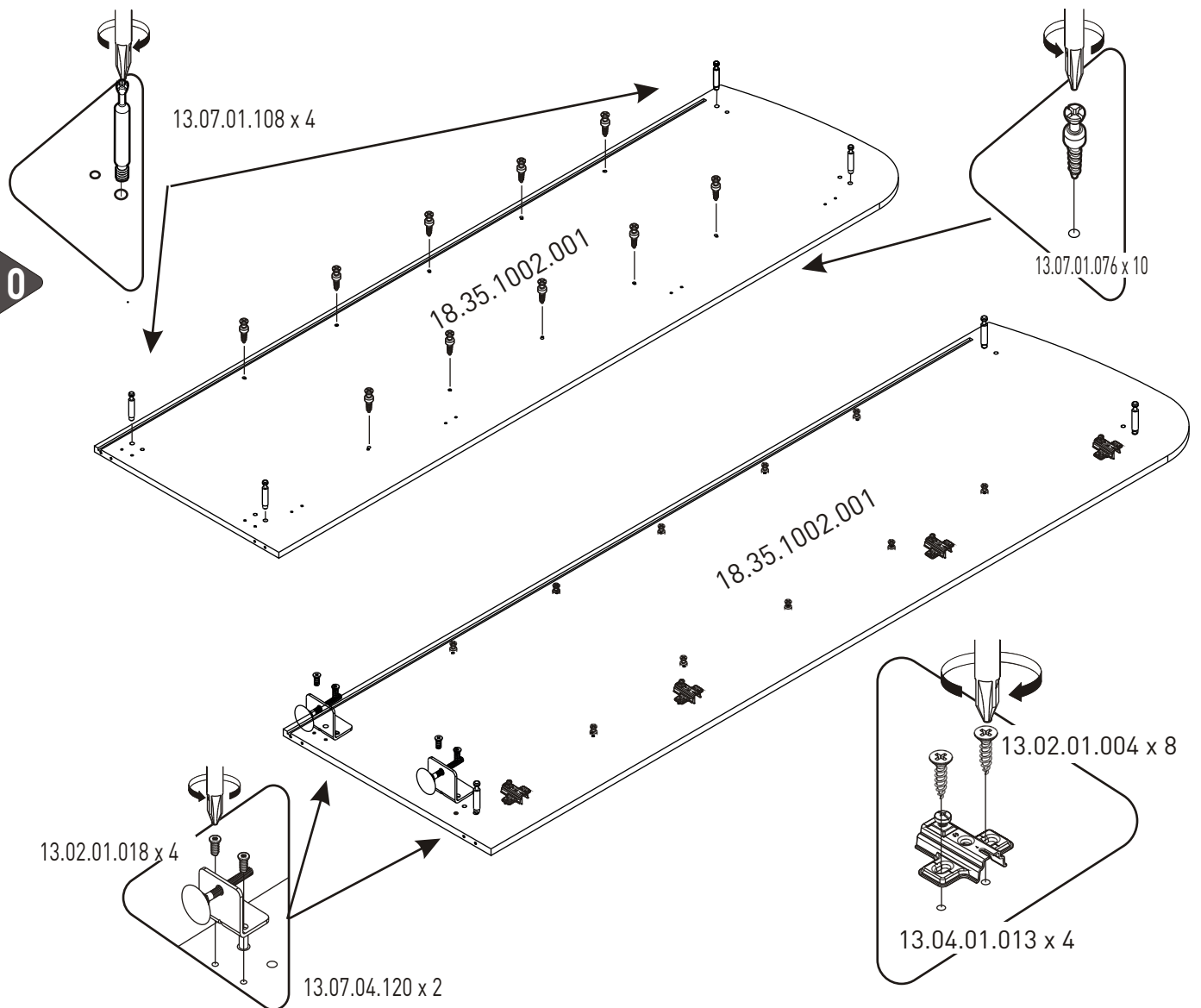


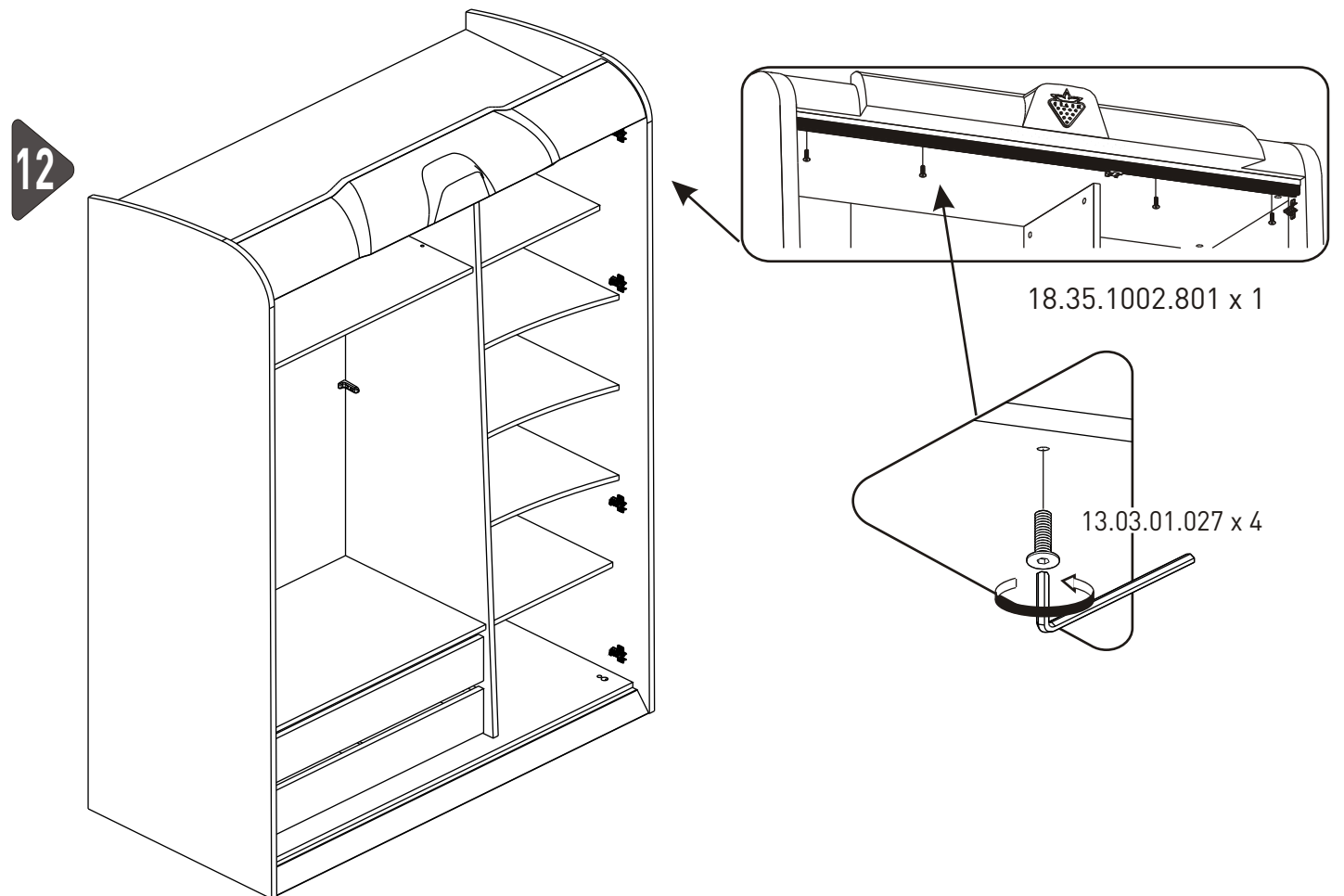
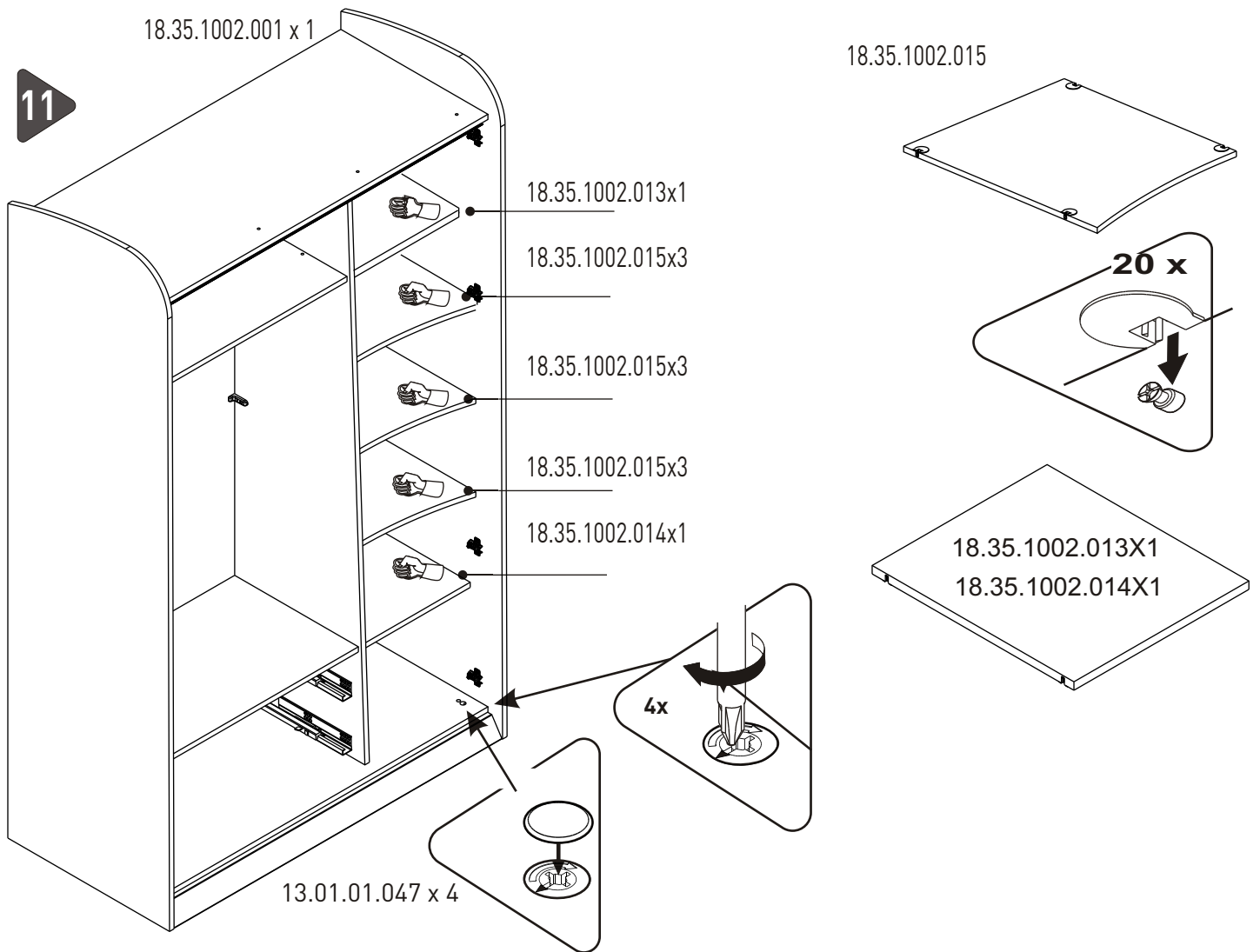


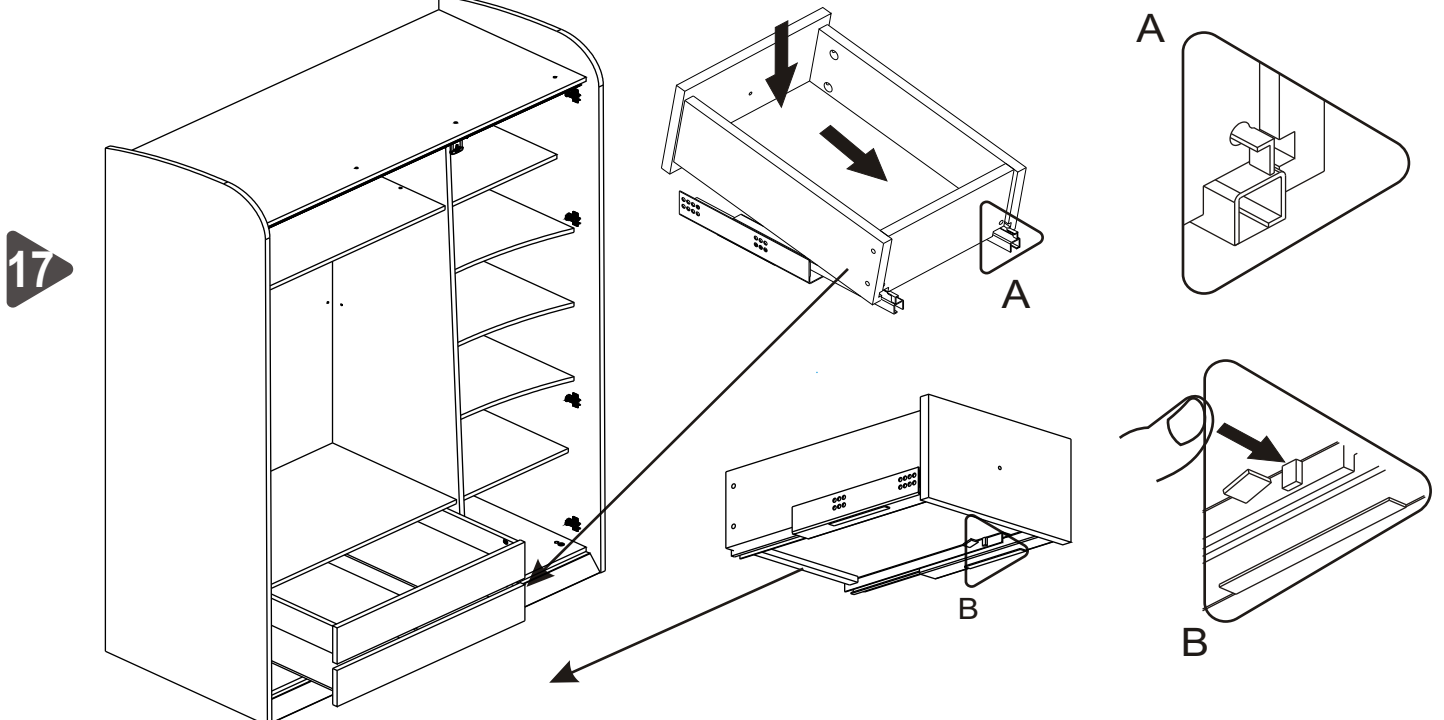
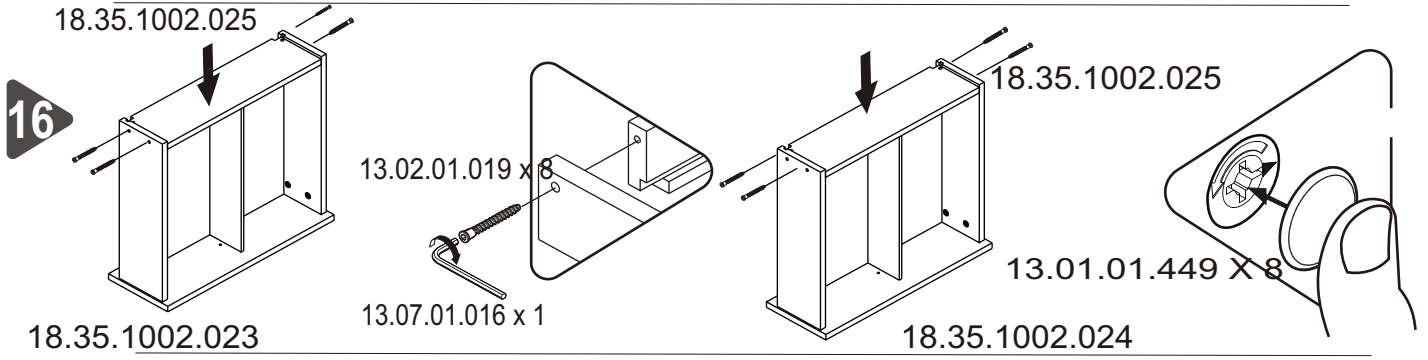
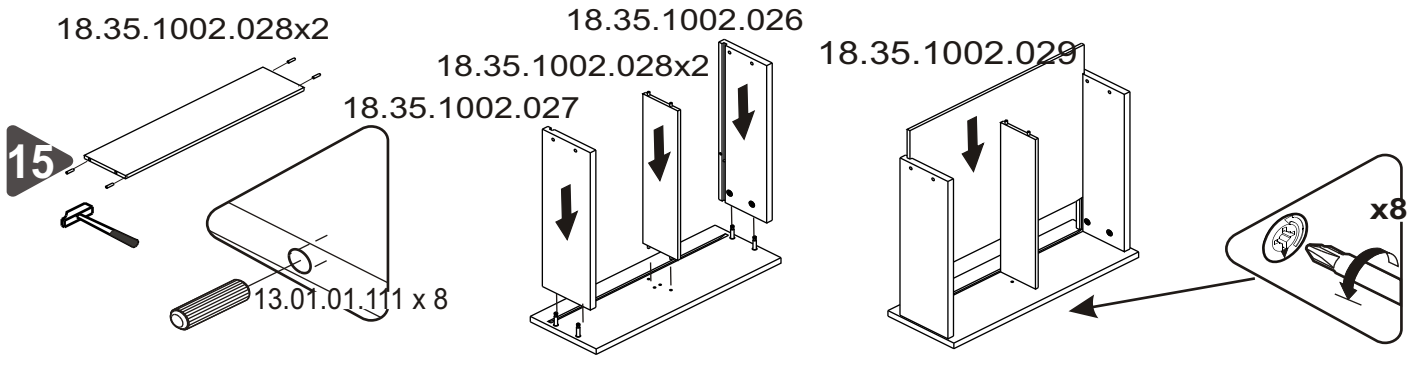
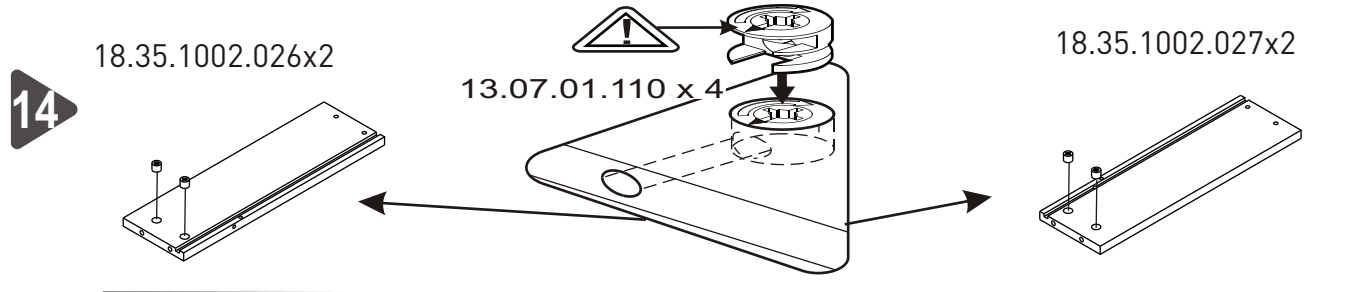
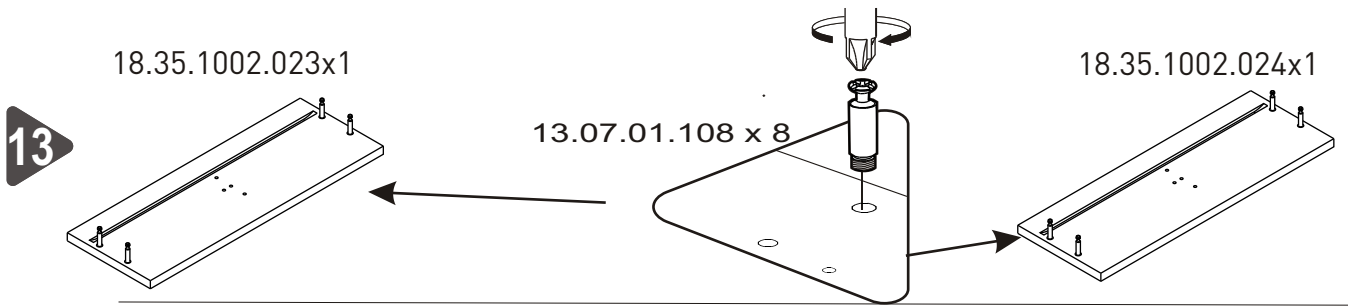
9

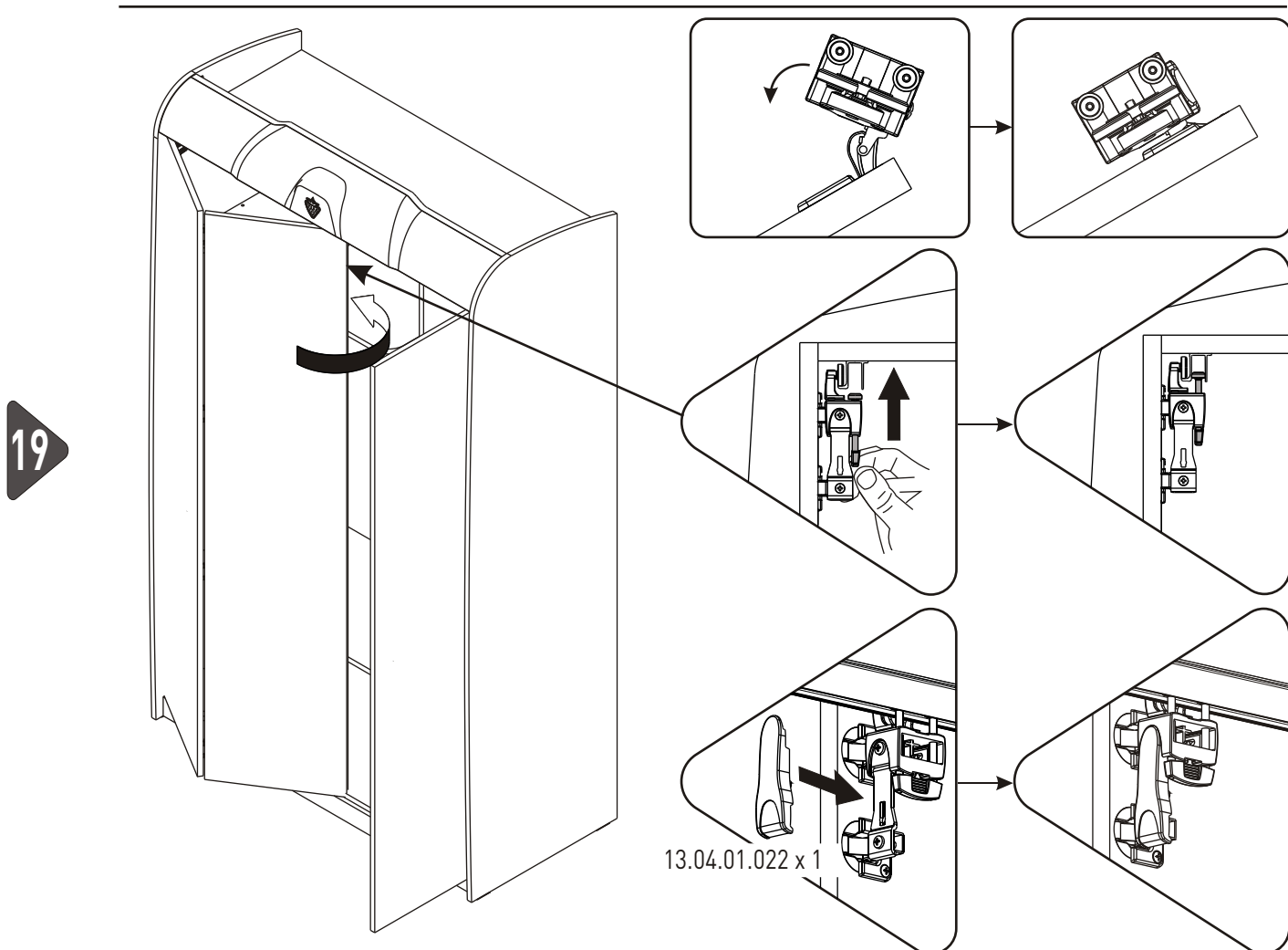
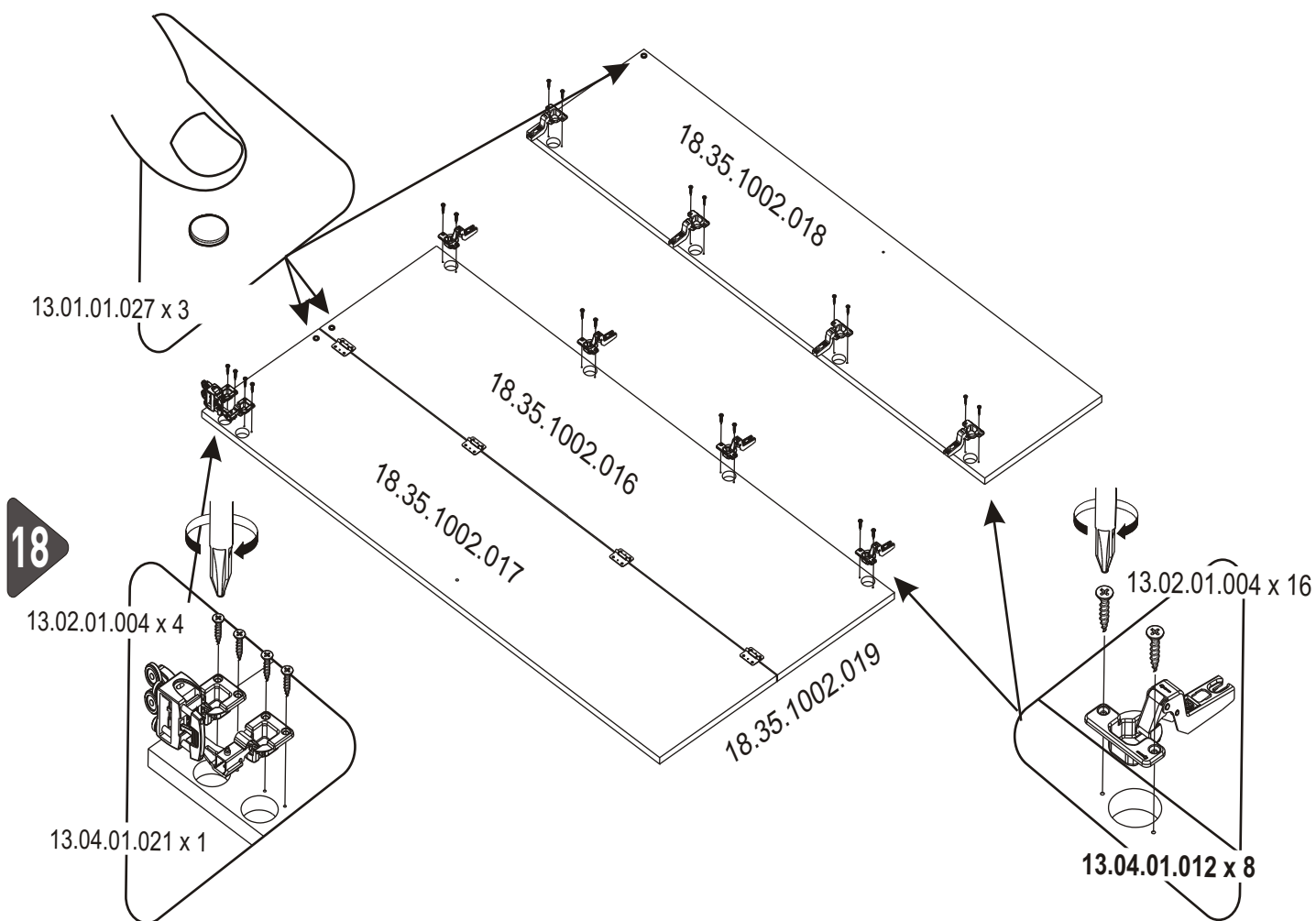


10

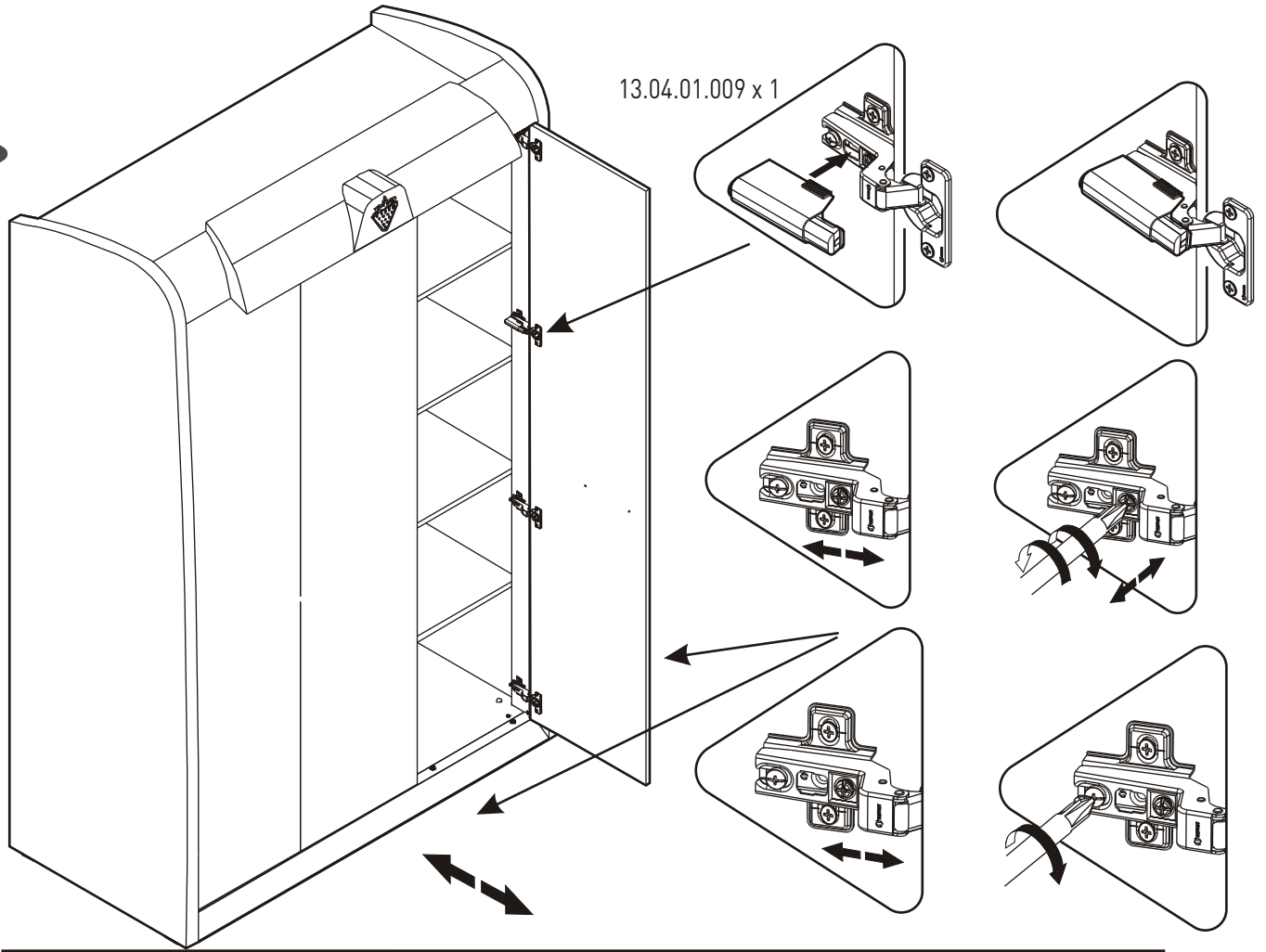








20



21

